



RF & Microwave

Product
Selection
Guide

MACOM[™]

Partners from RF to Light

www.macom.com

MACOM's **2021 RF & Microwave Product Selection Guide** features our catalog of thousands of products, which include integrated circuits (ICs), multi-chip modules (MCMs), power pallets and transistors, MMICs, diodes, amplifiers, switches and switch limiters, passive and active components, and complete subsystems. Inside are detailed product specifications designed to help engineers quickly evaluate and select the right products to differentiate their designs. Our selection guide includes application diagrams and key technologies to further assist you in your selection process.

Additional product information can be found on our website at www.macom.com. Contact our worldwide sales offices, authorized representatives, and industry-leading distributors to request samples, test boards, and application support. All contacts are listed on our website at: <http://www.macom.com/contact>



RF Power Products.....10-14

- > RF Power Amplifiers: GaN:
 - **MACOM PURE CARBIDE**
- > RF Power Amplifiers:
 - Silicon Bipolar and MOSFET

Amplifiers.....15-27

- > Active Splitters
- > Amplifier Gain Blocks
- > CATV Amplifiers
- > Distributed Amplifiers
- > FTTx Amplifiers
- > Hybrid Amplifiers
 - Gain Block
 - Low Noise
 - Limiting
- > Linear Amplifiers
- > Low Noise Amplifiers
- > Power Amplifiers
- > Variable Gain Amplifiers

Diodes.....28-52

- > Multiplier Step Recovery Diodes
- > PIN Limiter Diodes
- > PIN Switch and Attenuator Diodes
- > Schottky Mixer and Detector Diodes
- > THz Schottky Barrier Diodes
- > Varactor Tuning Diodes

Control Products.....53-59

- > CMOS Switch Drivers
- > Digital Attenuators
- > Digital Phase Shifters
- > Limiters
- > Phase Detectors
- > Power Detectors
- > Switches
- > Voltage Variable Attenuators

Frequency Conversion.....60-67

- > Frequency Multipliers
- > Hybrid Mixers
- > Mixers
- > Receivers / Down Converters
- > Transceivers
- > Up Converters

Multifunction Modules.....68-69

- > Core Chips
- > High Power Switch and Bias Module
- > MoCA Front-End Integrated Circuits
- > Switch LNAs

Passives.....70-85

- > Bias Networks
- > Capacitors
 - Beam Lead Capacitors
 - Binary Chip Capacitors
 - DC Floating/RF Bypass Mounting Capacitors
 - High Q MNOS Series Chip Capacitors
 - MNOS Series Capacitors
 - MNS Chip Capacitors
- > Couplers
- > Filters / Diplexers
- > Power Dividers / Combiners
- > Transformers / Baluns

Frequency Generation.....86-87

- > NLTL GaAs Comb Generators
- > Voltage Controlled Oscillators

Space & High-Reliability88-115

- > Capacitors
 - Beam Lead Capacitors
 - Binary Chip Capacitors
 - DC Floating/RF Bypass Mounting Capacitors
 - High Q MNOS Series Chip Capacitors
 - MNOS Series Capacitors
 - MNS Chip Capacitors
- > Diodes
 - Multiplier Step Recovery Diodes
 - PIN Limiter Diodes
 - PIN Switch and Attenuator Diodes
 - Schottky Mixer and Detector Diodes
 - THz Schottky Barrier Diodes
 - Varactor Tuning Diodes
- > General Purpose Gain Block
- > Low Noise Hybrid Amplifiers
- > Mixers
- > NLTL GaAs Comb Generators
- > Power Dividers

Appendix and Index.....118-136

- > Decibels-Volts-Watts Conversions
- > Package Selection Guide
- > Part Number Index
- > Wavelength and Frequency



Why MACOM?



Partners from RF to Light

MACOM Technology Solutions Holdings, Inc. (MACOM) supplies key enabling technologies for the Cloud Connected Apps Economy and Modern Networked Battlefield. Recognized for its broad catalog portfolio of technologies and products, MACOM provides high-performance analog RF, microwave, millimeterwave, and lightwave semiconductor products for diverse applications ranging from high speed optical, satellite communications, wired and wireless infrastructure networks, to military and civil radar systems. A pillar of the semiconductor industry, we thrive on over 70 years of solving our customers' most complex problems as their trusted partner for solutions from RF to Light.

Headquartered in Lowell, Massachusetts, MACOM is certified to the ISO9001 international quality standard and ISO14001 environmental management standard. MACOM has design centers and sales offices throughout North America, Europe, and Asia

RF to Light Capabilities

MACOM offers end-to-end customer solutions and support, from proprietary process technologies to high-quality customer service. MACOM can produce and process semiconductor materials, design and manufacture complex devices, and combine these devices into multifunction components. We offer dual-use technologies that enable us to service commercial and aerospace and defense markets. We have unique technologies and capabilities to create innovative design solutions, including:

- > Si, GaAs, AlGaAs, InGaAs, InP, GaN-on-Si, SiPh, SiGe, SAEFT™, and RF CMOS IC products
- > Unique processes: HMIC™, GMIC™, and AlGaAs
- > In-house design, fabrication, assembly, and screening capabilities
- > Foundry service
- > Build-to-print turnkey assembly capabilities
- > Multiple design and sales locations to provide global coverage
- > Wide spectrum coverage across RF, microwave, and millimeterwave frequencies
- > One of the broadest selections of standard and custom products in the industry

Commercial, Industrial and Military Products

This guide features our catalog of thousands of products. We work with you, engineer-to-engineer, to provide custom products to meet your unique application-specific requirements. If you cannot find a product that meets your needs in this guide, please contact us and we will work together to develop or recommend an appropriate solution. Our team of product managers and engineers is available to support all product and design needs, and offer the experience and attention to detail that ensure success.

Quality and Reliability

MACOM is committed to delivering high-quality products and services that meet our customers' and internal operations' needs in terms of delivery, reliability, performance and value. Process controls are implemented to ensure that tasks are performed properly the first time, so that products and services meet established, agreed-to requirements. It is the personal responsibility of every MACOM employee to ensure quality, customer satisfaction, continual improvement, maintenance of our quality management system and compliance with customer and regulatory requirements.

Design and Manufacturing Facilities

MACOM has multiple design centers, Si, GaAs, and InP fabrication, manufacturing, assembly and test, and operational facilities throughout North America, Europe, and Asia.

How to Purchase



Sales Representatives and Distribution Partners

Find solutions for your most complex applications today! You can purchase MACOM products online, direct through our sales offices, and through one of our many distribution and sales representative partners.

Visit our website at <http://www.macom.com/purchases> to see a list of our industry-leading distributors and to get additional information about ordering samples and product.

To see inventory availability from MACOM and our Distributors click on the Order tab on your selected product page at www.macom.com

MACOM produces custom products and modifications to standard products to meet your specific requirements.

Please contact us with your specifications if you cannot find a standard product for your application. See the back cover of this catalog for contact information.

Or visit us at www.macom.com for more information.

Aluminium Gallium Arsenide (AlGaAs)

Band gap engineering has been used to produce novel semiconductor structures in the microwave industry for over two decades. These band gap principles have been applied to the development of MACOM's AlGaAs technology, resulting in a significant advancement in the RF performance of PIN diodes.

Key applications include industrial, scientific and medical, test and measurement, wireless backhaul, aerospace and defense.

Gallium Arsenide (GaAs)

For over three decades, MACOM has been the world leader in the advancement of GaAs technology, producing state-of-the-art, high performance discrete devices; control components; mixed signal processing and converters; driver amplifiers; CATV amplifiers; LNAs; and power amplifiers as single purpose and multi-function MMICs.

Key applications include industrial, scientific and medical, CATV and wired broadband, wireless backhaul, aerospace and defense, satellite communication.

Gallium Nitride (GaN)

MACOM is driving the commercialization of GaN into mainstream RF Power applications designing solutions with GaN-on-Si and GaN-on-SiC. Our **MACOM PURE CARBIDE** series of GaN-on-SiC power amplifiers is our most recent addition and offers high performance and reliability for the most demanding applications. We offer the RF and microwave industry a broad portfolio of GaN products spanning a wide range of package options for pulsed and continuous wave applications and address key applications in all markets *including aerospace and defense, 5G wireless infrastructure, and industrial, scientific and medical.*

Heterolithic Microwave Integrated Circuit (HMIC™)

Developed at MACOM, this process joins two different materials—glass and silicon—into a single monolithic structure. This technology integrates the best properties of each material and therefore allows monolithic circuit solutions that reduce both size and cost. *Key applications include CATV and wired broadband, wireless backhaul, industrial, scientific and medical, test and measurement, chip and wire high frequency microwave applications.*

Indium Phosphide (InP)

MACOM has assumed a key position in the market as a premier supplier of both photonic devices such as lasers, and optoelectronics products such as high speed modulator drivers, based on InP technology. *Key applications include laser diodes for silicon photonics, data and metro markets, modulator drivers for 100G and 400G coherent networks, metro networks, and data centers.*

SAEFT™

MACOM's patented Self Aligning Etched Technology (SAEFT™) allows self-alignment of a laser either in edge-emitting or surface-emitting format to a silicon PIC, forming a Laser-PIC (L-PIC). *Key applications include base stations, FTTx/PON, wireless fronthaul/backhaul, cloud data centers, metro, and long haul.*

Silicon (Si)

Leveraging our deep understanding of silicon technology, MACOM offers a broad portfolio of product offerings ranging from PIN and varactor tuning diodes to multi-hundred watt silicon power MOSFETs. *Key applications include aerospace and defense, industrial, scientific and medical, test and measurement, CATV and wired broadband, wireless networking.*

Silicon Germanium (SiGe)

Building upon a long history in designing integrated circuits and subsystems for radar and mmW markets, MACOM leads the way in applying SiGe BiCMOS technology to both commercial and military needs. We see SiGe as a high value, differentiating technology which we will continue to leverage in MACOM's core product segments. *Key applications include high-speed optical network transceivers, base stations, wired broadband communications, high speed cross-point switches.*

Silicon Photonics (SiPh)

MACOM is focused on integrated silicon microphotronics. These technologies enable high performance optics with low power in small form factors. Silicon microphotronics in particular brings the benefits of high-density, low-cost and performance scalability, similar to silicon CMOS chip manufacturing. *Key applications include 100G/400G datacom, telecom-metro and long-haul applications, functional passive optical elements including AWGs, optical filters, couplers, and splitters.*

MACOM produces and processes semiconductor materials, and offers unique technologies and capabilities to create innovative design solutions to solve our customers' most complex challenges.

For more in-depth information, visit www.macom.com/technologies

MACOM Markets and Applications



Wireless Networking and Communication

- > Wireless Network Infrastructure
- > Wireless Backhaul
- > Wireless LAN (WiFi)
- > SatCom/VSAT
- > 5G Communications
- > Hybrid Optoelectronic Assembly and Package Capability



Optical Networking

- > FTTx/PON
- > Wireless Fronthaul
- > Cloud Data Center
- > Network Security
- > Long Haul & Metro



Industrial, Scientific and Medical

- > Industrial
- > Test and Measurement
- > Healthcare
- > RF Energy



Wired Broadband

- > DOCSIS Infrastructure/CPE



Broadcast Video

- > Cameras
- > Distribution Amplifiers
- > Format Conversion
- > Monitors
- > Routers and Switches
- > CoaXPress



Surveillance

- > Cameras
- > DVRs



Aerospace & Defense

- > Communication
- > EW
- > Radar
- > MACOM in Active
Active Antennas
- > Space & Hi-Rel
- > Free-space Optical
Communication



Enterprise Solutions

- > Backplane Connectivity
- > Packet Switchers and
Routers
- > Storage Area Networks
- > Transport Networks/OTN

Recognized for our broad portfolio of technologies and products, MACOM serves a range of diverse markets and thrives on more than 70 years of solving our customers' most complex problems. MACOM is your partner for applications from RF to Light.

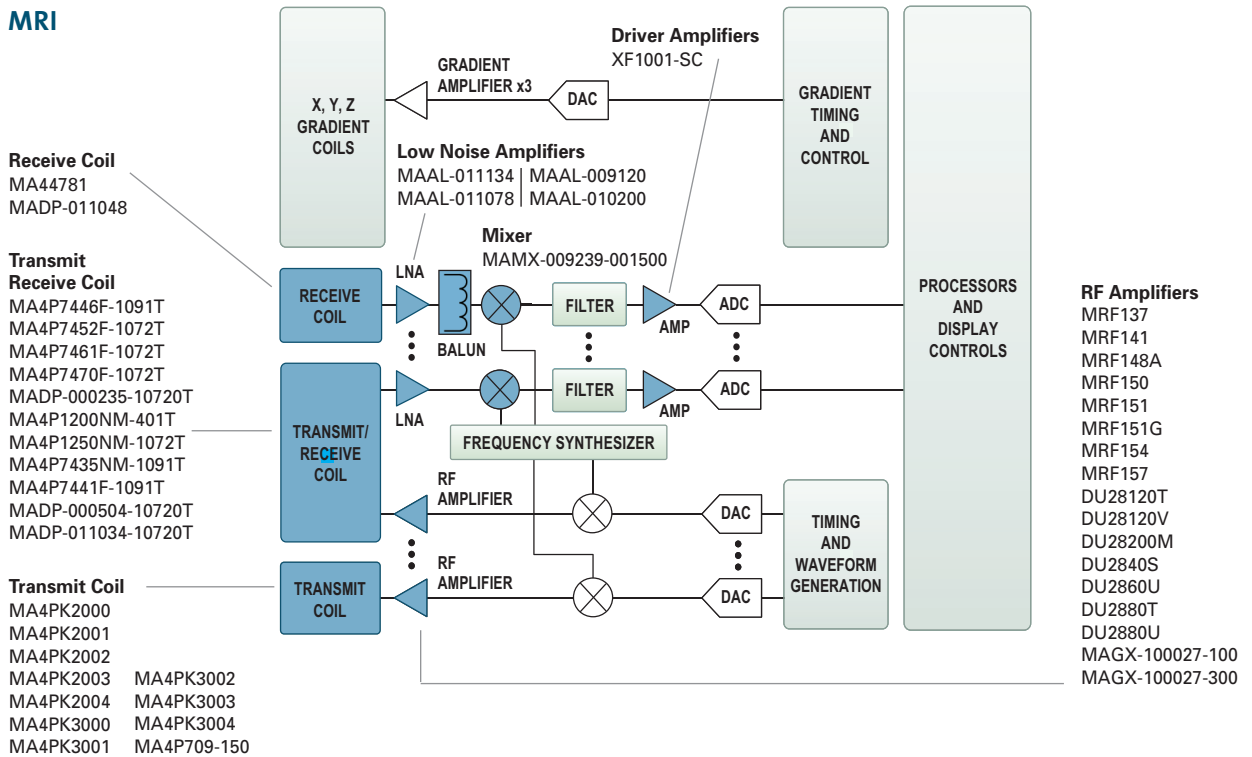
For more in-depth information, visit www.macom.com/applications

MACOM[™]
Partners from RF to Light

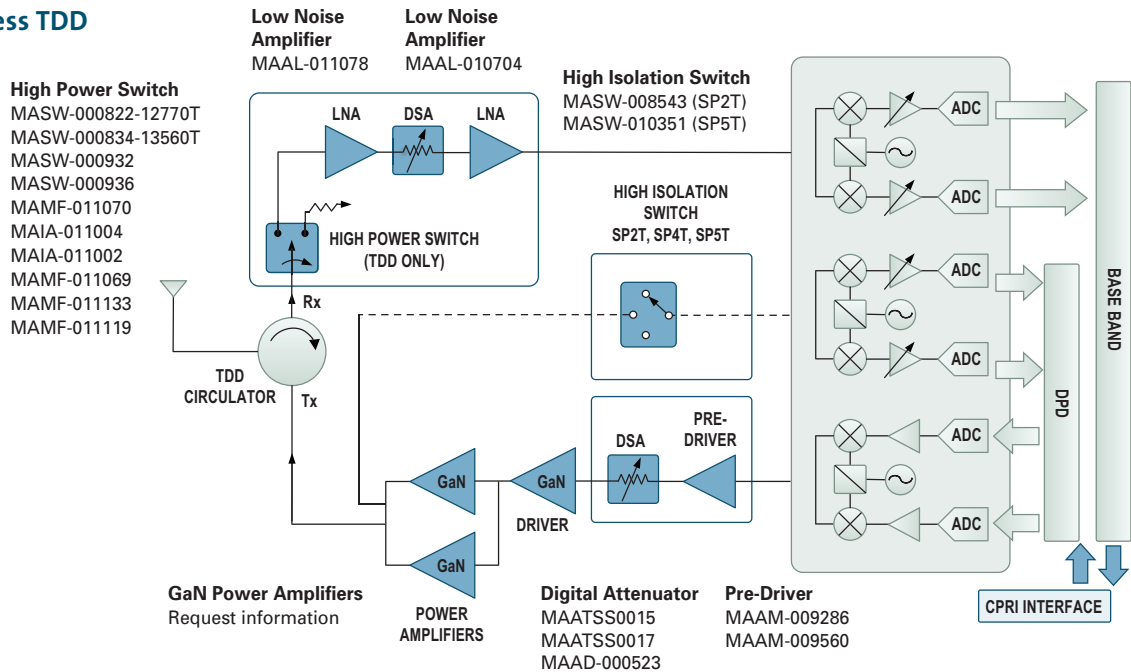
Application Block Diagrams

MACOM provides the fundamental building blocks to enable your diverse and complex applications. Our broad portfolio of products supports a wide variety of applications ranging from RF to Light. For a complete list of application block diagrams covering High-speed Networking, Aerospace and Defense, and Multi-market, please visit: www.macom.com

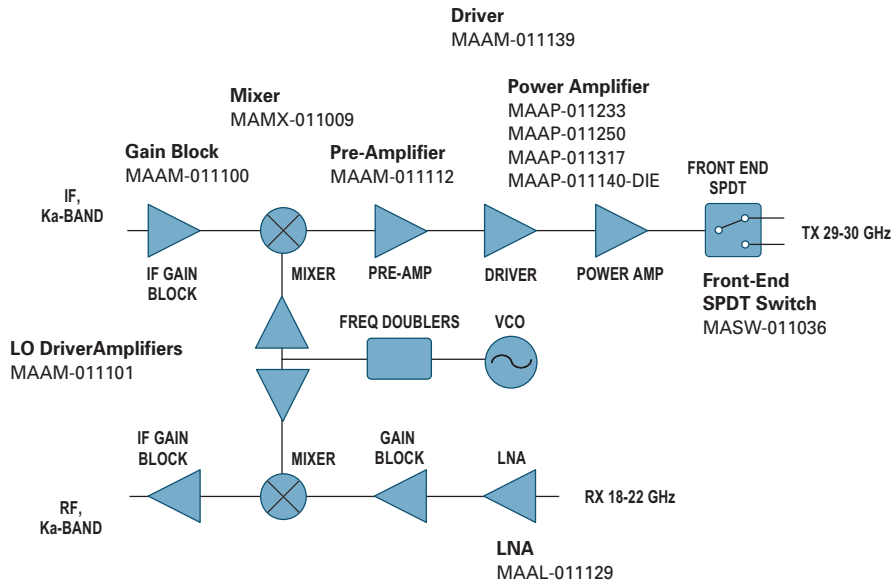
MRI



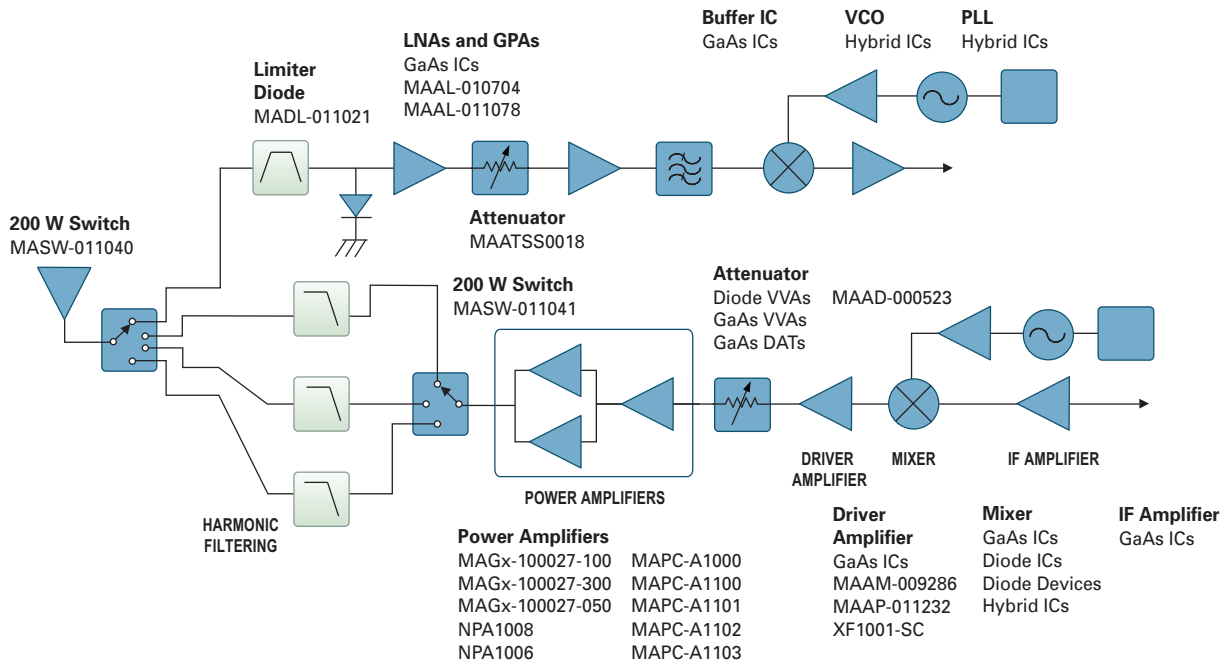
Wireless Access TDD



Ka-Band SATCOM

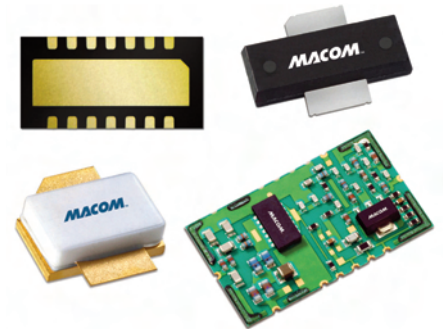


Land Mobile Radio



MACOM RF Power Products

MACOM offers a broad range of RF power semiconductor products as discrete devices, modules, and pallets designed to operate from DC to 6 GHz. These high power amplifiers are ideal for civil avionics, military communications, 5G networks, radar, industrial, scientific, and medical applications. Our product portfolio leverages MACOM's more than 70-year heritage of providing both standard and custom solutions using GaN, bipolar, and MOSFET technologies to meet the most demanding specifications. The **MACOM PURE CARBIDE** line is our latest addition to the GaN portfolio.



GaN-on-SiC **MACOM PURE CARBIDE**

- > Includes RF Power products as discrete devices, modules, and pallets
- > Designed to operate from 1 MHz to 6 GHz
- > High power solutions exceeding 3 kW
- > Excellent RF performance, long-term reliability and ruggedness

Bipolar

- > Discrete devices, modules, and pallets from 1 MHz to 3.5 GHz
- > For civil avionics, communications, networks, radar, and industrial, scientific, and medical applications
- > All gold metallization fabrication processes ensure high performance and long-term reliability

GaN-on-Si

- > Discrete and integrated amplifiers
- > Includes a broad range of RF power products as discrete devices, modules, and pallets
- > Designed to operate from 1 MHz to 6 GHz
- > Excellent RF performance, power, gain, gain flatness, efficiency, and ruggedness

MOSFET

- > TMOS and DMOS RF Power MOSFET transistor products as discrete devices from 1 MHz to 1 GHz
- > All gold metallization fabrication processes ensure high performance and long-term reliability

RF Power Amplifier: GaN: **MACOM PURE CARBIDE™**

Part Number	Min Freq (MHz)	Max Freq (MHz)	Supply Voltage (V)	Output Power Psat (W)	Gain (dB)	Efficiency (%)	Test Freq (GHz)	Package
MAPC-A1500	960	1215	65	2600	18.5	66.2	1.06	AC-1230S-4
MAPC-A1501	960	1215	65	1300	17.2	64.5	1.06	AC-780B-2
MAPC-A1000	30	2700	50	25	13	51	2.7	7 x 6.5 mm DFN
MAPC-A1100	0	3500	50	65	18	71	3.5	AC-360S-2
MAPC-A1101	0	3500	50	85	15	70	3.5	AC-360S-2
MAPC-A1102	0	3500	50	150	13	65	3.5	AC-360S-2
MAPC-A1103	0	2700	50	270	18.4	68.2	2.6	AC-650S-4

RF Power Amplifiers: GaN

Part Number	Min Freq (MHz)	Max Freq (MHz)	Operating Voltage (V)	Output Power Psat (W)	Gain (dB)	Efficiency (%)	Test Freq (GHz)	Package
MAGE-100809-500G00	896	928	50	500	18	76	0.93	AC-780S-4
MAGX-101011-700E00	1000	1100	50	700	19.3	70	1.09	AC-780B-2
MAGX-101214-500L00	1200	1400	50	500	16	73.5	3	AC-780B-2
MAGE-102425-300S00	2400	2500	50	300	16.7	75	2.45	AC-780S-2
MAMG-100227-010C0L	225	2600	28	10	23	45	2.6	14 x 18 mm
MAGX-100027-002S0P	0	2700	50	2	18.7	58.5	4	6 x 3 mm DFN
MAGX-100027-015S0P	0	2700	50	15	17.2	60	2.5	6 x 3 mm DFN
MAGX-100027-050C0P	0	2700	50	50	16.8	72	2.5	TO-272S-2
MAGX-100027-100C0P	0	2700	50	100	15.1	59	2.5	TO-272S-2
MAGX-100027-300C0P	0	2700	50	300	16.3	5	2	TO-272S-4I
MAGB-103338-050S0P	3300	3800	50	44	16.3	15.1	3.6	6 x 6.5 mm DFN
MAGB-103340-015B0P	3300	4000	50	15	16.4	17.0	3.6	4 x 4 mm DFN-6
MAGB-103740-008B0P	3700	4000	50	8	17.9	16.2	3.9	4 x 4 mm DFN-6
MAGB-103440-010B0P	3400	4000	50	10	18.1	18.3	3.8	4 x 4 mm DFN-6
MAGB-102327-010B0P	2300	2700	50	8	17.2	23.3	2.5	4 x 4 mm DFN-6
MAGB-101836-025B0P	1800	3600	50	25	16.9	29.0	3.5	5 x 7 mm QFN
MAGB-103438-020S0P	3400	3800	50	20	17.0	28.0	3.5	5 x 7 mm QFN
NPA1006	20	1000	28	12.5	14	>45	900	6 x 5 mm DFN-8
NPA1003QA	20	1500	28	7	15	>40	1000	4 x 4 mm QFN-16
NPA1007	30	2500	28	10	10	>50	2000	6 x 5 mm DFN-8
NPA1008	20	2700	28	5	12	>45	1900	4 x 4 mm PQFN-24
NPT25100B	2100	2700	28	90	16	>60	3000	AC-780B-2
NPT25015	1	3000	28	23	14	>60 PEP	2500	SOIC-8NE
NPT2018	1	3500	50	12.5	17.5	>50	2500	6 x 3 mm PDFN-14
NPT35015	1	3800	28	18	11	>48 PEP	3500	SOIC-8NE
NPTB00025B	1	4000	28	25	13	>50	3000	AC-360B-2
MAGX-011086	1	6000	28	4	9	>50	5800	4 x 4 mm QFN-24
NPTB00004A	1	6000	28	5	17	>50	2500	SOIC-8NE

Note: Part numbers are RoHS compliant
 Detailed specifications can be found quickly on our website at macom.com by typing the part number into the search box.
 All specifications are subject to change.

RF Power Amplifiers: Silicon Bipolar and MOSFET

Part Number	Min Frequency (MHz)	Max Frequency (MHz)	Pout (W)	Gain (dB)	Efficiency (%)	Package Type
MRF421	1	30	100	10	40	Flange Ceramic
MRF448A	1	30	250	12	45	Flange Ceramic
MRF428	2	30	150	13	45	Flange Ceramic
MRF429	2	60	150	13	45	Flange Ceramic
MRF422	2	30	150	10	40	Flange Ceramic
MRF426	2	30	25	22	35	Flange Ceramic
MRF454	2	30	80	12	50	Flange Ceramic
MRF455	2	30	60	13	55	Flange Ceramic
MRF448	2	30	250	12	45	Flange Ceramic
MRF141G	5	175	300	12	50	Flange Ceramic
MRF316	30	200	80	10	55	Flange Ceramic
MRF314	30	200	30	10	50	Flange Ceramic
MRF317	30	200	100	9	55	Flange Ceramic
MRF313	100	400	1	15	45	Flange Ceramic
MRF393	100	500	100	9.5	55	Flange Ceramic
MRF392	100	400	125	10	55	Flange Ceramic
MRF587	100	500	—	13	—	Flange Ceramic
MMRF321	150	400	10	12	50	Flange Ceramic
MRF323	150	400	20	10	50	Flange Ceramic
2N6439	225	400	60	7.8	55	Flange Ceramic
MRF327	225	400	80	7.3	50	Flange Ceramic
MAPR-000912-500S00	960	1215	500	9	45	Flange Ceramic
MAPRST0912-50	960	1215	50	9.1	40	Flange Ceramic
MAPRST0912-350	960	1215	350	9.4	45	Flange Ceramic
MRF1004MB	960	1215	4	10	40	Flange Ceramic
MRF10031	960	1215	30	9	40	Flange Ceramic
MRF10005	960	1215	5	8.5	45	Flange Ceramic
MRF10120	960	1215	120	8	50	Flange Ceramic
MRF1000MB	960	1215	0.7	10	—	Flange Ceramic
MRF1150MB	960	1215	150	7.8	35	Flange Ceramic
MRF1090MB	960	1215	90	8.4	35	Flange Ceramic
MAPR-001090-350S00	1025	1150	350	9	45	Flange Ceramic
MAPR-001011-850S00	1025	1150	850	7.8	42	Flange Ceramic
MRF10150	1025	1150	150	9.5	40	Flange Ceramic
MRF10350	1025	1150	350	8.5	40	Flange Ceramic
MRF10502	1025	1150	500	8.5	40	Flange Ceramic
MAPRST1030-1KS	1030	1030	1000	8	45	Flange Ceramic
PH1090-700B	1030	1090	700	7.5	50	Flange Ceramic
PH1090-15L	1030	1090	15	9	40	Flange Ceramic
PH1090-550S	1030	1090	550	7.4	55	Flange Ceramic
PH1090-175L	1030	1090	175	8.3	55	Flange Ceramic
PH1090-350L	1030	1090	350	8	55	Flange Ceramic
PH1090-75L	1030	1090	75	9	45	Flange Ceramic
PH1214-300M	1200	1400	300	8.75	50	Flange Ceramic
PH1214-55EL	1200	1400	55	6.6	50	Flange Ceramic
PH1214-2M	1200	1400	2	7	40	Flange Ceramic

Note: Part numbers are RoHS compliant
 Detailed specifications can be found quickly on our website at macom.com by typing the part number into the search box.
 All specifications are subject to change.

RF Power Amplifiers: Silicon Bipolar and MOSFET (continued)

Part Number	Min Frequency (MHz)	Max Frequency (MHz)	Pout (W)	Gain (dB)	Efficiency (%)	Package Type
PH1214-12M	1200	1400	12	9	45	Flange Ceramic
PH1214-25M	1200	1400	25	9.5	50	Flange Ceramic
PH1214-110M	1200	1400	110	7.4	50	Flange Ceramic
PH1214-80M	1200	1400	80	7.5	50	Flange Ceramic
PH1214-100EL	1200	1400	100	6	52	Flange Ceramic
PH1214-6M	1200	1400	6	7	45	Flange Ceramic
PH1214-220M	1200	1400	220	7.4	50	Flange Ceramic
PH1214-40M	1200	1400	40	8.5	50	Flange Ceramic
PH1617-2	1600	1700	2	10	35	Flange Ceramic
PH2226-50M	2200	2600	50	8	45	Flange Ceramic
PH2226-110M	2200	2600	110	8	40	Flange Ceramic
MAPR-002729-170M00	2700	2900	170	9	45	Flange Ceramic
PH2729-65M	2700	2900	65	8.5	40	Flange Ceramic
PH2729-130M	2700	2900	130	7.5	40	Flange Ceramic
PH2729-25M	2700	2900	25	9.2	45	Flange Ceramic
PH2731-5M	2700	3100	5	7	30	Flange Ceramic
PH2729-110M	2700	2900	110	6.8	35	Flange Ceramic
PH2731-20M	2700	3100	20	8.2	45	Flange Ceramic
PH2731-75L	2700	3100	75	7	40	Flange Ceramic
PH3134-55L	3100	3400	55	7.5	35	Flange Ceramic
PH3134-20L	3100	3400	20	7.5	35	Flange Ceramic
PH3135-65M	3100	3500	65	7.5	35	Flange Ceramic
PH3134-10M	3100	3400	10	8	35	Flange Ceramic
PH3135-25S	3100	3500	25	7.5	35	Flange Ceramic
PH3135-5M	3100	3500	5	8.5	30	Flange Ceramic
PH3135-90S	3100	3500	90	7.5	35	Flange Ceramic
PH3135-20M	3100	3500	20	7.5	35	Flange Ceramic
MRF175LU	5	400	100	10	55	Flange Ceramic
MRF140	5	150	150	15	40	Flange Ceramic
MRF175GU	5	400	150	12	55	Flange Ceramic
MRF151A	5	175	150	13	40	Flange Ceramic
MRF141	5	175	150	18	40	Flange Ceramic
MRF173CQ	5	175	80	13	60	Flange Ceramic
MRF136Y	5	400	30	14	54	Flange Ceramic
MRF148A	5	175	30	18	40	Flange Ceramic
MRF158	5	500	2	16	55	Flange Ceramic
MRF174	5	200	125	9	50	Flange Ceramic
MRF175GV	5	225	200	14	65	Flange Ceramic
MRF176GV	5	225	200	15	50	Flange Ceramic
MRF176GU	5	400	150	12	45	Flange Ceramic
MRF177	5	400	100	12	60	Flange Ceramic
MRF173	5	175	80	11	60	Flange Ceramic
MRF166C	5	500	20	13.5	50	Flange Ceramic
MRF166W	5	500	40	14	50	Flange Ceramic

Note: Part numbers are RoHS compliant
 Detailed specifications can be found quickly on our website at macom.com by typing the part number into the search box.
 All specifications are subject to change.

RF Power Amplifiers: Silicon Bipolar and MOSFET (continued)

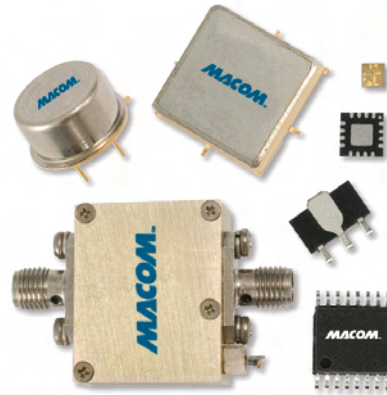
Part Number	Min Freq (MHz)	Max Freq (MHz)	Pout (W)	Gain (dB)	Efficiency (%)	Package Type
MRF134	5	400	5	11	50	Flange Ceramic
MRF151	5	175	150	13	40	Flange Ceramic
MRF137	5	400	30	13	60	Flange Ceramic
MRF150	5	150	150	17	45	Flange Ceramic
MRF275G	5	500	150	10	50	Flange Ceramic
MRF160	5	500	4	16	55	Flange Ceramic
MRF154	5	80	600	17	45	Flange Ceramic
MRF275L	5	500	100	8.8	55	Flange Ceramic
MRF151G	5	175	300	14	50	Flange Ceramic
MRF157	5	80	600	21	45	Flange Ceramic
MRF157H	5	80	600	21	45	Flange Ceramic
MRF136	5	400	15	16	60	Flange Ceramic
DU28120T	30	175	120	13	60	Flange Ceramic
DU2880U	30	175	80	13	60	Flange Ceramic
DUI215S	30	175	15	9.5	60	Flange Ceramic
DU2810S	30	175	10	13	55	Flange Ceramic
DU2880T	30	175	80	13	60	Flange Ceramic
DU28120V	30	175	120	13	60	Flange Ceramic
DU2805S	30	175	5	11	55	Flange Ceramic
DU2820S	30	175	20	13	60	Flange Ceramic
DU28200M	30	175	200	13	55	Flange Ceramic
DU2860U	30	175	60	13	60	Flange Ceramic
DU2840S	30	175	40	13	60	Flange Ceramic
MRF171A	100	200	45	17	60	Flange Ceramic
UF2815B	100	500	15	10	50	Flange Ceramic
UF2805B	100	500	5	10	50	Flange Ceramic
UF2840P	100	500	40	10	50	Flange Ceramic
UF2820P	100	500	20	10	50	Flange Ceramic
UF2810P	100	500	10	10	50	Flange Ceramic
UF28100V	100	500	100	10	50	Flange Ceramic
UF28100M	100	500	100	10	50	Flange Ceramic
UF2840G	100	500	40	10	50	Flange Ceramic
UF28150J	100	500	150	8	55	Flange Ceramic
UF2805B	100	500	5	10	50	Flange Ceramic
LF2805A	500	1000	5	10	50	Flange Ceramic
PHA2729-300M	2700	2900	300	7.5	36	Pallet
PHA2731-140L	2700	3100	140	7	35	Pallet
PHA2731-190M	2700	3100	190	7.5	33	Pallet
PHA3135-130M	3100	3500	130	7.4	35	Pallet

Note: Part numbers are RoHS compliant
 Detailed specifications can be found quickly on our website at macom.com by typing the part number into the search box.
 All specifications are subject to change.

MACOM Amplifiers

For voice, data and point-to-point applications for A&D and commercial markets

MACOM designs, manufactures, and supports a wide variety of amplifiers for RF, microwave, and millimeter-wave applications. Our products cover frequency ranges from 40 KHz to 90 GHz. We use a variety of semiconductor processes such as GaAs MESFET for linearity, pHEMT for power and low noise, and HBT for linearity and high gain. Additionally, our 50 to 1100 MHz cable band amplifiers exhibit best-in-class composite linearity performance. MACOM amplifiers are used in a variety of commercial and aerospace and defense applications.



Active Splitters

- > Available in 2, 3, 4, 5, 6, and 8-way splits,
- > Designed for today's advanced CATV, FTTH, and direct broadcast satellite (DBS) subscriber equipment
- > Used in high definition flat screen TVs, set top boxes (STBs), embedded multi media terminal adapter (eMTAs), cable modems, and PCTV cards
- > Surface mount PDFN and PQFN plastic packages

Amplifier Gain Blocks

- > Frequencies from DC to 45 GHz
- > 50 Ω and 75 Ω applications include: networks, commercial, and aerospace and defense
- > Plastic packaging and bare die

Linear and Power Amplifiers

- > 40 KHz to 90 GHz frequencies for both linear and saturated applications including: network infrastructure, radar, test and measurement, and communication systems
- > Many of the power amplifiers include an on-chip temperature-compensated detector

Low Noise Amplifiers

- > Frequencies from 20 MHz to 86 GHz
- > For network infrastructure, radar, and communication systems
- > Available in a variety of packages

CATV Amplifiers

- > Single-ended and Push-Pull 75 Ω broadband amplifiers cover head-end, HFC infrastructure nodes, network, and drop amplifiers
- > Flat gain response, low distortion, and high linearity
- > Offered in small, plastic leaded and leadless packages

Hybrid Amplifiers

- Gain Block
- Low Noise Amplifiers
- Limiting Amplifiers
- > 10 kHz to 6 GHz
- > Unconditionally stable with excellent cascading capability
- > Designed using thin film technology
- > Hermetically sealed and screened up to space level, these amplifiers are perfect for military applications



Active Splitters

Part Number	Min Freq (MHz)	Max Freq (MHz)	Splits (#)	Gain (dB)	Noise Figure (dB)	CSO (dBc)	CTB (dBc)	Bias Current/Voltage (mA)/(V)	Package
MAAM-009450	50	1100	3	3.5	3.8	-65	-65	100 / 5	3 mm PQFN-12
MAAM-007239	50	1100	3	6	4.5	-65	-77	125 / 5	3 mm PQFN-16
MAAM-008818	50	1100	2	3.2	3.4	-60	-63	120 / 5	2 mm PDFN-8
MAAM-008819	50	1100	3	2.6	3.8	-60	-63	120 / 5	2 mm PDFN-8
MAAM-008820	50	1100	4	3	3.8	-62	-70	120 / 5	3 mm PQFN-12
MAAM-008821	50	1100	5	3.5	3.8	-60	-70	120 / 5	3 mm PQFN-12
MAAM-008822	50	1100	3	4.5	4	-60	-63	120 / 5	2 mm PDFN-8
MAAM-008970	950	2150	2	4.8	5	—	—	60 / 5	3 mm PQFN-12
MAAM-007805	50	1100	2	8.5	4	-60	-75	100 / 5	3 mm PQFN-12
MAAM-009451	50	1100	3	3	3.5	-55	-67	90 / 3	2 mm PDFN-8
MAAM-009452	50	1100	4	2.5	3.5	-56	-65	96 / 3.3	3 mm PQFN-12
MAAM-009778	50	1100	4	2.5	4.5	-60	-65	100 / 5	3 mm PQFN-12
MAAM-009779	50	1100	5	1.5	3.9	-60	-65	110 / 5	3 mm PQFN-12
MAAM-009811	50	1100	2	2.4	4.5	-55	-65	90 / 3	2 mm PDFN-8
MAAM-009879	50	1100	2	3.5	3.8	-60	-65	100 / 5	3 mm PQFN-12
MAAM-010237	50	1100	8	1.9	4.4	-50	-65	190 / 5	4 mm PQFN-24
MAAM-010263	50	1100	6	2	4.8	-55	-65	190 / 5	4 mm PQFN-24

Amplifier Gain Block

Part Number	Description	Min Freq (MHz)	Max Freq (MHz)	Gain (dB)	Output P1dB (dBm)	OIP3 (dBm)	Bias Current (mA)	Package
MAAM02350	Wideband Amplifier	200	3000	17	14	24	65	Die
MAAM-011326-DIE	Gain Block	500	6000	21	20	36	90	Die
MAAM28000	Wideband Amplifier	2000	8000	17	14	24	60	Die
MAAM-011252-DIE	Broadband Amplifier	30	8000	20	20	34	60	Die
MAAM-011305-DIE	Broadband Amplifier	30	8000	16	20	37	66	Die
XB1007-BD	Buffer Amplifier	4000	11000	23.5	20	30	130	Die
MAAM-011289-DIE	Driver Amplifier	5000	20000	15	19.5	31	100	Die
MAAM-011290-DIE	Driver Amplifier	5000	20000	20	19.5	32	115	Die
XB1008-BD	Buffer Amplifier	10000	21000	18	20	30	130	Die
XB1004-BD	Buffer Amplifier	16000	30000	21	19	29	100	Die
XB1006-BD	Buffer Amplifier	18000	38000	21	15	25	25	Die
XB1005-BD	Buffer Amplifier	35000	45000	23	16	26	50	Die
MAAM-008198-00A162	Cascadable, Hi Eff	10	1200	13	6	18	15	TO-8
MAAM02350-A2	Wideband Amplifier	200	3000	18	14	24	65	CR-3
XF1001-SC	Packaged HFET	0	6000	15.5	30	46.5	300	SOT-89
MAAM-011252	Broadband Low Noise	30	8000	20	20	34	60	2 mm PDFN-8
MAAM-011305	Broadband Low Noise	30	8000	16	20	37	66	2 mm PDFN-8
MAAM28000-A1	Wideband Amplifier	2000	8000	17	14	24	70	CR-3
MAAM28000-A1G	Wideband Amplifier	2000	8000	17	14	24	70	CR-10
XB1007-QT	Buffer Amplifier	4000	11000	23	19	31	100	3 mm PQFN-16
CMM0511-QT	Driver Amplifier	5000	14000	20	11	22	90	3 mm PQFN-16
MAAM-011206	Driver Amplifier	DC	15000	13.5	18	27.5	72	1.5 x 1.2 mm TDFN-6
MAAM-011101	Wideband Amplifier	4000	20000	16	19	30	45	1.5 x 1.2 mm TDFN-6
MAAM-011289	Driver Amplifier	5000	20000	15.5	19.5	30	102	3 mm, AQFN-12
MAAM-011290	Driver Amplifier	5000	20000	20	19.5	32	110	3 mm, AQFN-12
XB1008-QT	Buffer Amplifier	10000	21000	17	18	32	100	3 mm PQFN-16
MAAM-011132	Driver Amplifier	17700	23600	23	21	33	180	4 mm PQFN-16
MAAM-011112	Buffer Amplifier	20000	37000	24	18	30	335	3 mm PQFN-16

Note: Part numbers are RoHS compliant
 Detailed specifications can be found quickly on our website at macom.com by typing the part number into the search box.
 All specifications are subject to change.

Amplifier Gain Block (continued)

Part Number	Description	Min Freq (MHz)	Max Freq (MHz)	Gain (dB)	Output P1dB (dBm)	OIP3 (dBm)	Bias Current (mA)	Package
MAAM-011109	Wideband Amplifier	100	40000	13	18	22	170	5 mm LGA-9
XB1014-QT	Buffer Amplifier	37000	40000	21	20	30.5	63	3 mm PQFN-16
MAAM-010513	Driver Amplifier	40500	43500	23	23	32	400	5 mm LGA-12

Power Amplifiers

Part Number	Description	Min Freq (MHz)	Max Freq (MHz)	Output P1dB (dBm)	PSAT (dBm)	Gain (dB)	OIP3 (dBm)	Package
MAAM26100	GaAs MMIC Power Amplifier	2000	6500	28	30.5	19	39	Die
MAAM71100	Power, GaAs MMIC	7000	11000	28	31	18	38	Die
MAAP-015035-DIE	12 W Power Amplifier	8500	11500	40	41	36	—	Die
MAAP-011333-DIE	4 W Power Amplifier	13500	15000	37	—	26	—	Bare Die
MAAP-015030-DIE	13 W Power Amplifier	8500	11750	38	41	25	—	Die
MAAP-011327-DIE	1 W Power Amplifier	1	22000	30	32	14	46.5	Die
MAAP-011146-DIE	3 W Power Amplifier	21150	23650	34	35.5	25	41	Die
XPI013-BD	Power Amplifier	17000	26000	—	—	20	—	Die
MAAP-118260-DIE	42 GHz Power Amplifier	18000	26000	28.5	31	28.5	37	Die
MAAP-011139-DIE	4 W Power Amplifier	29000	31000	35	36.5	24	42	Die
MAAP-011140-DIE	6 W Ka-band Power Amplifier	27500	30000	37	38.5	25	46	Die
MAAP-015016-DIE	4 W Ka-band Power Amplifier	32000	38000	36	37	18	—	Die
MAAP-011218-DIE	0.5 W Power Amplifier	71000	86000	26	27	20	31	Die
MAAP-011199	Power Amplifier	80000	100000	22	24	12	—	Die
MAAP-011232	Power Amplifier	100	3000	29	30	23	40	3 mm PQFN-16
MAAP-010168	10 W Power Amplifier	500	3000	39	41	24	—	Ceramic Flanged-10
MAAP-011022	7 W Pulsed High Power Amplifier	2700	3000	37.5	38.3	23	—	6 mm PQFN-28
MAAP-011246	Power Amplifier	27500	31500	30	33	23	-20	5 mm AQFN 32
MAAP-010171	8 W Power Amplifier	2500	3500	38	39	27.3	—	5 mm PQFN-20
MAAP-011027	8 W Power Amplifier	5200	5900	—	39	20	—	5 mm PQFN-20
MAAM26100-B1	Power Amplifier	2000	6000	27	30.5	19	39	CR-2
MAAM26100-P1	Power Amplifier	2000	6000	28	30.5	20	40	CR-15
MAAP-010169	10 W Power Amplifier	2000	6000	38	41	18	—	Ceramic Flanged-10
XPI039-QJ	2.5 W Power Amplifier	5600	7100	33	34	17	48	6 mm QFN-24
MAAP-011161	4 W Power Amplifier	7100	7900	35.5	36.5	22	46.5	7 mm SMT
MAAP-011193	4 W Power Amplifier	7700	8500	35.5	36.5	20	46.5	7 mm SMT
XPI035-QH	0.5 W Power Amplifier	5900	9500	28	29	26	39	4 mm PQFN-24
MAAP-008924	1.2 W Power Amplifier	10000	13300	31	32	21	42	5 mm PQFN-20
MAAP-011313	4 W Power Amplifier	13500	15000	34.5	36	36	42	5 mm AQFN-32
MAAP-010150	10-15.35 GHz Power Amplifier	10000	15350	33	36	27	42	7 mm QFN-48
MAAP-011202	2.5 W Power Amplifier	12700	15400	33.5	34.5	30	41	5 mm QFN-24
MAAP-010517	3 W Power Amplifier	14400	15400	35	36.4	24.5	41	5 mm PQFN-24
XPI042-QT	0.5 W Power Amplifier	12000	16000	25	27	21	38	3 mm PQFN-16
XPI043-QH	1.5 W Power Amplifier	12000	16000	30	32	21.5	41	4 mm PQFN-24
MAAP-011145	2 W Power Amplifier	17650	19750	33	34.5	26	43	7 mm Cavity
MAAP-011327	1 W Power Amplifier	1	22000	28.5	30.5	13.5	47	5 mm AQFN-32
MAAP-011146-STD	2 W Power Amplifier	21150	23650	33	35	24	41	7 mm Cavity
MAAP-118260	Power Amplifier	18000	26000	28.5	31	28.5	37	5 mm 24-lead QFN
MAAP-011250	4W, Ka Band Power Amplifier	27500	30000	34.8	36	24	41	5 mm AQFN-32
MAAP-011289	3W, Ka Band Power Amplifier	28000	30000	35	36	24	35	5 mm AQFN-32
MAAP-011298	2.3W, Ka Band Power Amplifier	27000	31000	33	33.5	25.5	39	5 mm AQFN-32
MAAP-011317	4 W Power Amplifier	27500	31000	36.5	36	27.5	40	5 mm QFN-32
MAAP-011233	4W, Ka Band Power Amplifier	28500	31000	34.5	37	25	38	5 mm AQFN-32

Power Amplifiers (continued)

Part Number	Description	Min Freq (MHz)	Max Freq (MHz)	Output P1dB (dBm)	PSAT (dBm)	Gain (dB)	OIP3 (dBm)	Package
MAAP-011139	4 W Power Amplifier	28500	31000	34.5	36	23	36	5 mm AQFN-32
MAAP-011170	Power Amplifier	37000	40000	27	28	27	38	7 mm SMD-16
XP1080-QU	38 GHz Power Amplifier	37000	40000	27	28.9	25	38	7 mm LGA-16
MAAP-010512	42 GHz Power Amplifier	40500	43500	27	29	22	38.4	7 mm LGA-16

Linear Amplifiers

Part Number	Description	Min Freq (MHz)	Max Freq (MHz)	Gain (dB)	OIP3 (dBm)	Output P1dB (dBm)	Package
MAAP-015035	12 W Power Amplifier	8500	11500	36	—	—	Die
MAAP-015024-DIE	8 W Power Amplifier	14500	17500	21	27	—	Die
XP1027-BD	Power Amplifier	27000	31000	21	43	—	Die
XP1026-BD	Power Amplifier	27000	32000	21	40	32	Die
XP1017-BD	Power Amplifier	30000	36000	16	33	24	Die
MAAP-011106	Power Amplifier	71000	86000	20	30	23	Die
MAAM-011167	Medium Power Amplifier	71000	86000	18	27	10	Die
MAAP-011205	Power Amplifier	71000	86000	19	30	21	Die
MAAM-011117	Broadband, Low Distortion	50	2700	16	35	20	2 mm PDFN-8
XP1044-QL	Power Amplifier Module	4000	5900	18.5	47	34	7 mm SMD-28
XP1050-QJ	2.5 W Power Amplifier	7100	8500	15.5	47	47	6 mm QFN-24
MAAM-011139	Driver Amplifier	27500	33400	21	32	20	4 mm QFN-24
MAAP-010516	4 W Power Amplifier	32000	38000	18	—	34	5 mm PQFN-24

Low Noise Amplifiers

Part Number	Min Freq (MHz)	Max Freq (MHz)	Gain (dB)	Noise Figure (dB)	OIP3 (dBm)	Output P1dB (dBm)	Bias Voltage (V)	Bias Current (mA)	Package
MAAM37000	3500	7000	17	1.8	24	14	4	75	Die
MAAM71200	7500	12000	16.5	2.3	22	12	4	40	Die
MAAL-011151-DIE	2000	18000	16	4.5	—	5	3	2	Die
MAAL-011141-DIE	DC	28000	17	1.8	27	16	6	75	Die
XL1002-BD	20000	36000	23	2.6	16	4	5	85	Die
XL1010-BD	20000	38000	17	3	—	—	4	45	Die
XL1000-BD	20000	40000	20	2	16	9	3	35	Die
MAAL-008091	800	1000	15	1.2	30	17	5	60	SOIC-8
MAAL-011136	45	1218	20	1.2	32	17.5	5	50	SOT-89 Plastic Pkg
MAALSS0042	1500	1600	27	1.2	13	1	5	20	SOIC-8
MAAL-010705	500	1600	19	0.5	32	19	4	60	2 mm PDFN-8
MAAL-011151	2000	18000	15	3.5	—	5	3	2	5 mm PQFN-32
MAALSS0048	1400	2000	17	1.6	13	1	3	7	SOT-26
MAAL-011141	DC	28000	17.5	2	27	16	6	75	5 mm AQFN-32
MAAL-007304	500	3000	25.5	0.7	19	7	3	12	SOT-26
MAAL-009120	70	3000	11	1.4	35	18	3	80	SOT-363
MAAL-010200	70	3000	11	1.4	36	17	3	77	SOT-89
MAAL-009053	800	3000	11	1.4	35	18	3	80	SOT-363
MAAL-010570	100	3500	16	0.75	34	18.8	5	15	SOT-363
MAAL-010704	100	3500	19.5	0.9	31.5	18	3	60	SOT-363
MAAM-011229-CQ3	50	4000	19	1.3	38	19.5	5	80	2 mm QFN-12
MAAL-010706	1400	4000	17.5	0.6	34.5	19	4	60	2 mm PDFN-8
MAAL-011134	700	6000	23	0.35	33	17.5	3	50	2 mm PDFN-8
MAAL-011078	700	6000	23	0.35	33	17.5	3	50	2 mm PDFN-8

Low Noise Amplifiers (continued)

Part Number	Min Freq (MHz)	Max Freq (MHz)	Gain (dB)	Noise Figure (dB)	OIP3 (dBm)	Output P1dB (dBm)	Bias Voltage (V)	Bias Current (mA)	Package
MAAM37000-A1G	3500	7000	17	2.2	25	14	4	75	Ceramic Gull Wing-8
MAAM37000-A1	3500	7000	17	2.2	25	14	4	75	Ceramic-8
MAAM71200-H1	7500	12000	15.5	2.7	21	11	4	40	Leadless Ceramic
MAAL-010528	8000	12000	20.2	1.6	26	14	4	60	3 mm PQFN
MAAL-011130	2000	18000	19	1.4	21	16	3	80	2 mm PQFN-8
MAAL-011129	18000	31500	23	2.5	25	16	3	80	2 mm PQFN-8
MAAL-011138	25000	35000	21	1	28	—	5	80	3 mm PDFN-8
XL1010-QT	20000	38000	17	3	—	6	4	45	3 mm QFN-16
MAAL-011111	22000	38000	19	2.5	—	5	3	55	3 mm QFN-16

Variable Gain Amplifiers

Part Number	Description	Min Freq (MHz)	Max Freq (MHz)	Gain (dB)	OIP3 (dBm)	Bias Current/Voltage (mA/V)	Package
MAAM-010399	Differential Variable Gain Amplifier	50	1100	28	48	900/6	5 x 7 mm PQFN-40
MAAM-011100	Ultra Small Broadband Variable Gain Amplifier	500	20000	12	25	70/+5.-5	1.5 x 1.2 mm TDFN-6
MAAM-010651	Buffer Amplifier	37000	40000	21	30.5	250/4	3 mm QFN-16

CATV Amplifiers

Part Number	Description	Min Freq (MHz)	Max Freq (MHz)	Gain (dB)	OIP3 (dBm)	Bias Current (mA)	Bias Voltage (V)	Noise Figure (dB)	Package
MAAM-011184	CATV Return Path Single-Ended Amplifier	5	300	21	43	95	5	2.5	MSOP 8-EP
MAAM-011185	CATV Return Path Differential Amplifier	5	300	21.2	43	290	5	3.1	3 mm PQFN-16
MAAM-011156	Amplifier, CATV Return Path Differential	5	300	19	44	210	8	7	3 mm PQFN-16
MAAM-011168	Differential CATV Variable Gain	5	300	40	44	290	8	2.6	7 mm PQFN-48
MAAM-011186	Differential CATV Variable Gain Amplifier	5	300	39	42	280	8	3	7 mm PQFN-48
MAAMSS0044	Low Noise, Low Distortion Amplifier	50	1000	12.2	42	225	5	3.3	4 mm PQFN-20
MAAM-010144	Push Pull CATV Amplifier	50	1000	20.5	43	325	8	4.2	TSSOP-16
MAAMSS0067	Low Noise, Low Distortion Amplifier	50	1000	12.2	32	190	5	3.3	4 mm PQFN-20
MAAM-009100	Broadband CATV Amplifier	50	1000	14.3	34	105	5	3	SOT-89
MAAM-009455	CATV Push Pull Amplifier	50	1000	20.5	43	325	8	4.2	4 mm PQFN-20
MAAM-007724	Low Noise, Low Distortion Amplifier	50	1005	12.2	32	190	5	3.3	4 mm PQFN-20
MAAM-010373	Broadband CATV Amplifier	50	1100	22	40	148	8	1.66	SOT-89
MAAM-009633	Broadband CATV Amplifier	50	1200	17	37	120	8	1.9	SOT-89
MAAMSS0060	Low Noise, Low Distortion Amplifier	50	1200	17	37	120	8	1.8	SOT-89
MAAMSS0041	Low Noise, Low Distortion Amplifier	50	1200	15	36	100	8	2.7	SOT-89
MAAMSS0042	Low Noise, Low Distortion Amplifier	50	1200	15	38	110	5	3	SOT-89
MAAM-011169	CATV 75 Ω Push Pull Amplifier	45	1200	25	54	480	12	4.4	5x7 mm PQFN-40
MAAM-011182	75 Ω , 8 V RF Amplifier	45	1218	18	38	130	8	2.7	2 mm PDFN-8
MAAM-011163	75 Ω , Differential RF Amplifier	5	1218	19	42	290	5	1.7	SOIC-8EP
MAAM-011240	75 Ω , Differential RF Amplifier	5	1218	17	44	290	5	1.7	SOIC-8EP
MAAM-011251	75 Ω , High Linearity, Low Noise CATV Amplifier	5	1218	15	37	100	5	1.9	SOT-89
MAAM-011258	75 Ω , High Linearity, Low Noise CATV Amplifier	5	1218	15	37	100	5	2.2	SOT-89
MAAM-011299	75 Ω , RF Differential Amplifier	5	1800	18.7	42	290	5	2	SOIC-8EP
MAAM-011297	75 Ω , RF Differential Amplifier	5	1800	17	42	290	5	2	SOIC-8EP
MAAL-011119	Satellite TV Amplifier	900	2200	10.5	32	80	2.5	1.5	SOT-363
MAAL-009053	Satellite TV Amplifier	800	3000	11	35	80	3	1.4	SOT-363
MAAL-011139	Low Noise Amplifier	5	4000	21	34	85	5	1	SOT-89

Detailed specifications can be found quickly on our website at macom.com by typing the part number into the search box. All specifications are subject to change.

Distributed Amplifiers

Part Number	Min Freq (MHz)	Max Freq (MHz)	Gain (dB)	Gain Flatness (dB)	Noise Figure (dB)	OIP3 (dBm)	Output P1dB (dBm)	Package
MAAM-011275-DIE	0.03	40000	15	0.75	4	28	21	Die
MAAM-015023-DIE	18000	40000	26	0.5	6	30	21	Die
MAAM-011286-DIE	0.03	40000	16	1	4	30	22	Die
MAAM-011291-DIE	20000	45000	19	—	—	35	28.5	Die
MAAM-011277-DIE	20000	45000	24.5	—	—	30	23.5	Die
XD1001-BD	18000	50000	17	1	5	24	15	Die
MAAM-011238-DIE	0.1	67500	15	2	7	27	17.6	Die
MAAM-011238	0.1	50000	14	3.5	5.5	27	17	5 mm LGA-12
MAAM-011109	100	40000	13	18	3.5	22	18	5 mm LGA-9

FTTx Amplifiers

Part Number	Description	Min Freq (MHz)	Max Freq (MHz)	Gain (dB)	OIP3 (dBm)	Bias Current (mA)	Bias Voltage (V)	Noise Figure (dB)	Package
MAAM-007807	CATV and 2nd Stage FTTx Amp	50	1000	9	35	60	5	3.8	SOT-89
MAAM-008863	FTTx RF Amplifier	50	1000	37	—	220	5	4.8	4 mm PQFN-24
MAAM-010239	Low Noise FTTx Amplifier	50	1000	30	35	215	5	3.5	4 mm PQFN-20
MAAM-010333	Optical Node RF Amplifier	50	1200	33	—	260	5	—	4 mm PQFN-24

Hybrid Amplifiers: Gain Blocks

Part Number	Description	Min Freq (MHz)	Max Freq (MHz)	Gain (dB)	OIP3 (dBm)	Package
CA181 ♦	Cascadable	10	250	16.5	35	Connectorized
SMA181	Cascadable	10	250	16.5	35	SMT
EA54	Cascadable, High Gain	5	250	27	16	TO-5
A75-2	Cascadable	5	250	21	19	TO-8
A181	Cascadable	10	250	16.5	35	TO-8
CA79	(non-RoHS) Cascadable	5	300	14	38	Connectorized
A79	Cascadable	5	300	14	38	TO-8
SMA79	Cascadable	5	300	14	38	SMT
A56	Cascadable, High Gain	5	400	26	27	TO-8
SMA87	Cascadable	10	400	14	33	SMT
A87	Cascadable	10	400	14	33	TO-8
CA87 ♦	Cascadable	10	400	14	33	Connectorized
EA2	Cascadable	5	400	13.5	21	TO-5
AMC-146-SMA ♦	Cascadable, High Linearity	10	500	21	35	Connectorized
AMC-151-SMA ♦	Cascadable, High Dynamic Range	5	500	12	36	Connectorized
MAAM-007502-SPA512	Cascadable, Medium Power	10	500	18	40	SMTO-8
SMRA89	Cascadable, High Gain	5	500	26.5	35	SMT
SMA74-2	Cascadable, High Efficiency	5	500	26	10	SMT
SMPA511	Cascadable, Medium Power	10	500	12.7	40	SMT
A5	Cascadable Amplifier	5	500	14.8	22	TO-8
PA511	Cascadable, Medium Power	10	500	12.7	40	TO-8
EA54-2	Cascadable, High Gain	5	500	29.5	20	TO-5

Note: Part numbers are RoHS compliant ♦ indicates non-RoHS compliant
 Detailed specifications can be found quickly on our website at macom.com by typing the part number into the search box.
 All specifications are subject to change.

Hybrid Amplifiers: Gain Blocks (continued)

Part Number	Description	Min Freq (MHz)	Max Freq (MHz)	Gain (dB)	OIP3 (dBm)	Package
A57	Cascadable	10	500	14.7	28	TO-8
SMA57	Cascadable	10	500	14.7	28	SMT
SMA513	Cascadable	10	500	20	30	SMT
A55	Cascadable	10	500	14.7	24	TO-8
RA89-1	Cascadable, High Gain	10	500	30	36	TO-8B
A74-2	Cascadable, High Efficiency	5	500	26	10	TO-8
SMRA89-1	Cascadable, High Gain	10	500	30	36	SMT
A72	Cascadable, High Efficiency	5	500	15	26	TO-8
SMA72	Cascadable, High Efficiency	5	500	15	26	SMT
A77	Cascadable	5	500	16.5	30	TO-8
PA512	Cascadable, Medium Power	10	500	18	40	TO-8
CRA89-1 ♦	Cascadable, High Gain	10	500	30	36	Connectorized
A88	Cascadable	5	500	18.7	30	TO-8
SMA77	Cascadable	5	500	16.5	30	SMT
SMA88	Cascadable	5	500	18.7	30	SMT
RA89	Cascadable, High Gain	5	500	26.5	35	TO-8B
CRA89 ♦	Cascadable, High Gain	5	500	26.5	35	Connectorized
CA77 ♦	Cascadable	5	500	16.5	30	Connectorized
MAAM-007502-CPA512 ♦	Cascadable, Medium Power	10	500	18	40	Connectorized
A54	Cascadable	5	500	15.5	21	TO-8
MAAM-008200-000A83	Cascadable, High Efficiency	10	500	30	10	TO-8
A5-6	Cascadable	6	600	15.5	21	TO-8
SMA77-1	Cascadable	5	600	16	30	SMT
A77-1	Cascadable	5	600	16	30	TO-8
SMA5-6	Cascadable	6	600	16	21	SMT
CA77-1 ♦	Cascadable	5	600	16	30	Connectorized
A59-1	Cascadable, High Dynamic Range	10	700	10.5	36	TO-8
SMA59-1	Cascadable, High Dynamic Range	10	700	10.5	36	SMT
SMA89	Cascadable	100	800	22	30	SMT
A89	Cascadable	50	800	22	30	TO-8
AMC-145-SMA ♦	Cascadable	10	1000	10.7	32	Connectorized
AMC-184-SMA ♦	Cascadable	5	1000	20	20	Connectorized
CA17 ♦	Cascadable	10	1000	12	27	Connectorized
CA1021 ♦	Cascadable, High Gain	10	1000	26	26	Connectorized
CRA69 ♦	Cascadable, High Gain	10	1000	25	34	Connectorized
CRA66 ♦	Cascadable, High Gain	10	1000	37	30	Connectorized
CA66-1	Cascadable, High Gain	10	1000	27.5	28	Connectorized
SMA1021	Cascadable, High Gain	10	1000	26	26	SMT
RA66	Cascadable, High Gain	10	1000	37	30	TO-8B
SMRA69	Cascadable, High Gain	10	1000	25	34	SMT
SMA17	Cascadable	10	1000	12	27	SMT
A17	Cascadable Amplifier	10	1000	12	27	TO-8
A66-1	Cascadable, High Gain	10	1000	27.5	28	TO-8
SMA66-1	Cascadable, High Gain	10	1000	27.5	28	SMT

Note: Part numbers are RoHS compliant ♦ indicates non-RoHS compliant
 Detailed specifications can be found quickly on our website at macom.com by typing the part number into the search box.
 All specifications are subject to change.

Hybrid Amplifiers: Gain Blocks (continued)

Part Number	Description	Min Freq (MHz)	Max Freq (MHz)	Gain (dB)	OIP3 (dBm)	Package
RA69	Cascadable, High Gain	10	1000	25	34	TO-8B
A19-1	Cascadable Amplifier	10	1000	11.5	35	TO-8
SMA19-1	Cascadable	10	1000	11.5	35	SMT
CA19-1 ♦	Cascadable	10	1000	11.5	35	Connectorized
AMC-155-SMA ♦	Cascadable, High Dynamic Range	300	1000	12.3	30	Connectorized
SMRA66	Cascadable, High Gain	10	1000	37	30	SMT
A1021	Cascadable, High Gain	10	1000	26	26	TO-8
CA66 ♦	Cascadable	10	1200	23.5	28	Connectorized
CA64 ♦	Cascadable, High Gain	10	1200	26	20	Connectorized
SMA66	Cascadable	10	1200	23.5	28	SMT
SMA64	Cascadable, High Gain	10	1200	26	20	SMT
A64	Cascadable, High Gain	10	1200	26	20	TO-8
A66	Cascadable	10	1200	23.5	28	TO-8
SMA28	Cascadable	10	1500	11	29	SMT
CA26 ♦	Cascadable	10	1500	20.5	27	Connectorized
CA24 ♦	Cascadable	5	1500	20	21	Connectorized
SMA29-1	Cascadable	10	1500	9	32	SMT
A26	Cascadable Amplifier	10	1500	20.5	27	TO-8
A29-1	Cascadable	10	1500	9	32	TO-8
A28	Cascadable	10	1500	11	29	TO-8
A25	Cascadable Amplifier	5	1500	10	21	TO-8
A24	Cascadable	5	1500	20	21	TO-8
SMA26	Cascadable	10	1500	20.5	27	SMT
SMA24	Cascadable	5	1500	20	21	SMT
A27	Cascadable	5	1500	8.5	28	TO-8
CA28 ♦	Cascadable	10	1500	11	29	Connectorized
CA29-1 ♦	Cascadable	10	1500	9	32	Connectorized
CRA36 ♦	Cascadable, High Gain	100	2000	24	22	Connectorized
SMA36	Cascadable	100	2000	16.5	23	SMT
SMPA2010	Cascadable, Medium Power	200	2000	10	33	SMT
A38	Cascadable	10	2000	9.5	30	TO-8
CA38 ♦	Cascadable	10	2000	9.5	30	Connectorized
SMA39	Cascadable	10	2000	7.5	34	SMT
RA36	Cascadable, High Gain	100	2000	24	22	TO-8
SMA35	Cascadable	10	2000	10	21	SMT
A39	Cascadable	10	2000	7.5	34	TO-8
SMA38	Cascadable	10	2000	9.5	30	SMT
A34	Cascadable	100	2000	16	18	TO-8
A36	Cascadable	100	2000	16.5	23	TO-8
SMA37	Cascadable	10	2000	10	28	SMT
SMRA36	Cascadable, High Gain	100	2000	24	22	SMT
A37	Cascadable	10	2000	10	28	TO-8
SMA34	Cascadable	100	2000	16	18	SMT
A35	Cascadable	10	2000	10	21	TO-8
CA35 ♦	Cascadable	10	2000	10	21	Connectorized
CA36-1 ♦	Cascadable	100	2300	16.2	23	Connectorized

Note: Part numbers are RoHS compliant ♦ indicates non-RoHS compliant
 Detailed specifications can be found quickly on our website at macom.com by typing the part number into the search box.
 All specifications are subject to change.

Hybrid Amplifiers: Gain Blocks (continued)

Part Number	Description	Min Freq (MHz)	Max Freq (MHz)	Gain (dB)	OIP3 (dBm)	Package
A36-1	Cascadable	100	2300	16.2	23	TO-8
SMA36-1	Cascadable	100	2300	16.2	23	SMT
A33-1	Cascadable	2	2400	9	19	TO-8
SMA33-1	Cascadable	2	2400	9	19	SMT
CA33-1 ♦	Cascadable	2	2400	9	19	Connectorized
CA3010 ♦	Cascadable	0	2500	9.5	35	Connectorized
MAAM-007947-CA3602 ♦	Cascadable	100	2600	15	30	Connectorized
A36-2	Cascadable	100	2600	15	30	TO-8
SMA36-2	Cascadable	100	2600	15	30	SMT
SMPA38-2	Cascadable, Medium Power	200	2600	8.5	33	SMT
PA38-2	Cascadable, Medium Power	200	2600	8.5	33	TO-8
SMA43	Cascadable	100	3200	11.5	21	SMT
A43	Cascadable	100	3200	11.5	21	TO-8
CPA48 ♦	Cascadable, Medium Power	1000	4000	16	34	Connectorized
RA46	Cascadable, High Gain	1000	4000	25.5	30	TO-8B
SMPA48	Cascadable, Medium Power	1000	4000	16	34	SMT
PA48	Cascadable, Medium Power	1000	4000	16	34	TO-8B
SMRA46	Cascadable, High Gain	1000	4000	25.5	30	SMT
SMRA62	Cascadable, High Gain	2000	6000	16	28	SMT
AM42-0039	Power, C-Band VSAT	5900	7100	33	45	CR15
AM42-0007	Power, GaAs MMIC	14000	14500	22	41	R380/CR15
AM42-0002	Power, VSAT MMIC	14000	14500	22	39	R380 / CR15

Hybrid Amplifiers: Low Noise Amplifiers

Part Number	Description	Min Freq (MHz)	Max Freq (MHz)	Gain (dB)	Noise Figure (mA)	OIP3 (dBm)	Package
AMC-162-SMA ♦	Cascadable, Low Noise, Hi Dyn Rge	10	100	12.5	1.5	30	Connectorized
AMS-162-PIN ♦	Cascadable, High Dynamic Range	10	100	12.5	1.5	30	TO-8
AM-162-PIN ♦	Cascadable, High Dynamic Range	10	100	12.5	1.1	32	TO-8
A101	Cascadable, High Linearity	5	100	17	3	36	TO-8
SMA101	Cascadable, High Linearity	5	100	17	3	36	SMT
MAAM-007844-OCA801 ♦	Cascadable	10	200	27.3	2	28	Connectorized
SMA80-1	Cascadable	10	200	27.3	2	28	SMT
A80-1	Cascadable	10	200	27.3	2	28	TO-8
SMA70-1	Cascadable, High Dynamic Range	10	250	8	1.8	28	SMT
CA83-1 ♦	Cascadable	10	250	35.5	2.5	9	Connectorized
A82-1	Cascadable	20	250	19	2.8	26	TO-8
SMA70	Cascadable, High Dynamic Range	10	250	8	1.6	24	SMT
SMA82-1	Cascadable	20	250	19	2.8	26	SMT
CA82 ♦	Cascadable	20	250	25	2.8	31	Connectorized
A70-1	Cascadable, High Dynamic Range	10	250	8	1.8	28	TO-8
CA231 ♦	Cascadable, High Gain	10	250	26	1.7	22	Connectorized
SMA82	Cascadable	20	250	25	2.8	31	SMT
SMA81-1	Cascadable	20	250	25	2.5	27	SMT
SMA81	Cascadable	20	250	24.5	2.6	28	Ceramic SMT0-8

Note: Part numbers are RoHS compliant ♦ indicates non-RoHS compliant
 Detailed specifications can be found quickly on our website at macom.com by typing the part number into the search box.
 All specifications are subject to change.

Hybrid Amplifiers: Low Noise Amplifiers (continued)

Part Number	Description	Min Freq (MHz)	Max Freq (MHz)	Gain (dB)	Noise Figure (mA)	OIP3 (dBm)	Package
A231	Cascadable, High Gain	10	250	26	1.7	22	TO-8
A70	Cascadable, High Dynamic Range	10	250	8	1.6	24	TO-8
A81-1	Cascadable	20	250	25	2.5	27	TO-8
A70-3	Cascadable, High Dynamic Range	20	250	8	2.8	40	TO-8
SMA83-1	Cascadable	10	250	35.5	2.5	9	SMT
A82	Cascadable	20	250	25	2.8	31	TO-8
SMA231	Cascadable, High Gain	10	250	26	1.7	22	SMT
A81	Cascadable	20	250	25.5	3	28	TO-8
CA70-2 ♦	Cascadable, High Dynamic Range	10	250	8	2.2	38	Connectorized
A74-1	Cascadable, High Gain	5	250	31	4.5	21	TO-8
A70-2	Cascadable, High Dynamic Range	10	250	8	2.2	38	TO-8
A83-1	Cascadable	10	250	35.5	2.5	9	TO-8
CA78 ♦	Cascadable	5	300	14	3.5	35	Connectorized
SMA87-2	Cascadable	10	300	16	2.9	24	SMT
A78	Cascadable	5	300	14	3.5	35	TO-8
A87-2	Cascadable	10	300	16	2.9	24	TO-8
SMA78	Cascadable	5	300	14	3.5	35	SMT
SMA70-2	Cascadable, High Dynamic Range	10	300	8	2.2	38	Ceramic SMTO-8
SMA70-3	Cascadable, High Dynamic Range	15	300	8	2.8	40	Ceramic SMTO-8
PAW1027 ♦	Ultra Linear Power, Multi Carrier	35	350	38.5	3.7	43	SOT115J
EA1	Cascadable	5	400	14	4.3	13	TO-5
CA87-1 ♦	Cascadable	10	400	16	3.4	31	Connectorized
SMA411	Cascadable	10	400	15.8	3	24	SMT
SMA87-1	Cascadable	10	400	16	3.4	31	SMT
A87-1	Cascadable	10	400	16	3.4	31	TO-8
MAAM-008199-000A51	Cascadable	10	400	15	2.7	10	TO-8
A411	Cascadable	10	400	15.8	3	24	TO-8
CA511 ♦	Cascadable	10	500	17	3.4	33	Connectorized
MAAM-007272-SMA514	Cascadable, High Gain	5	500	28	4	32	SMTO-8
MAAM-007272-OCA515 ♦	Cascadable, High Gain	5	500	27.5	3.5	33	Connectorized
CA74 ♦	Cascadable, High Gain	5	500	30	3	20	Connectorized
AMC-147-SMA ♦	Cascadable, High Linearity	5	500	17	3.4	33	Connectorized
AMC-143-SMA ♦	Cascadable	5	500	15.8	2.5	20	Connectorized
AM-131-PIN	Cascadable, Low Noise, High Linearity	5	500	11.5	4	34	TO-8
AMC-123-SMA ♦	Cascadable, Low Noise, High Linearity	5	500	10	5.5	30	Connectorized
MAAM-007272-SMA515	Cascadable, High Gain	5	500	27.5	3.5	33	SMTO-8
A515	Cascadable, High Gain	5	500	27.5	3.5	33	TO-8
CA81-2 ♦	Cascadable	20	500	24.5	3	28	Connectorized
CA75 ♦	Cascadable	5	500	21	2.1	21	Connectorized
CA76 ♦	Cascadable, High Gain	5	500	28	3	28	Connectorized
PAW1027-1 ♦	Ultra Linear Power, Multi Carrier	35	500	38	4.2	43	SOT115J
A76	Cascadable, High Gain	5	500	28	3	28	TO-8
CA531 ♦	Cascadable	10	500	31.7	2	14	Connectorized
CA180 ♦	Cascadable	10	500	16.5	3.4	33	Connectorized
SMA59	Cascadable, High Dynamic Range	5	500	11.5	4.3	36	SMT
SMA81-2	Cascadable	20	500	24.5	3	28	SMT

Note: Part numbers are RoHS compliant ♦ indicates non-RoHS compliant

Detailed specifications can be found quickly on our website at macom.com by typing the part number into the search box. All specifications are subject to change.

Hybrid Amplifiers: Low Noise Amplifiers (continued)

Part Number	Description	Min Freq (MHz)	Max Freq (MHz)	Gain (dB)	Noise Figure (mA)	OIP3 (dBm)	Package
SMA75-3	Cascadable	10	500	20.5	1.7	16	SMT
A75-3	Cascadable	10	500	20.5	1.7	16	TO-8
SMA75	Cascadable	5	500	21	2.1	21	SMT
SMA74	Cascadable, High Gain	5	500	30	3	20	SMT
SMA58	Cascadable	5	500	11.5	4	34	SMT
EA53-2	Cascadable	5	500	19	3.6	24	TO-5
SMA73	Cascadable, High Gain	5	500	32	3.5	15	SMT
A74	Cascadable, High Gain	5	500	30	3	20	TO-8
A58	Cascadable	5	500	11.5	4	34	TO-8
SMA1	Cascadable	5	500	16	2.4	11	SMT
A1	Cascadable Amplifier	5	500	16	2.4	11	TO-8
A73	Cascadable, High Gain	5	500	32	3.5	15	TO-8
SMA76	Cascadable, High Gain	5	500	28	3	28	SMT
A75	Cascadable Amplifier	5	500	21	2.1	21	TO-8
SMA76-1	Cascadable, High Efficiency	5	500	27.5	3	26	SMT
A59	Cascadable, High Dynamic Range	5	500	11.5	4.3	36	TO-8
A531	Cascadable	10	500	31.7	2	14	TO-8
A76-1	Cascadable, High Efficiency	5	500	27.5	3	26	TO-8
A81-2	Cascadable	20	500	24.5	3	28	TO-8
MAAM-008317-CA7503 ♦	Cascadable	10	500	20.5	1.7	16	Connectorized
SMA180	Cascadable	10	500	16.5	3.4	33	SMT
MAAM-007272-OCA514	Cascadable, High Gain	5	500	28	4	32	Connectorized
A514	Cascadable, High Gain	5	500	28	4	32	TO-8
A511	Cascadable Amplifier	10	500	17	3.4	33	TO-8
A180	Cascadable	10	500	16.5	3.4	33	TO-8
A80	Cascadable	20	500	29	2.5	27	TO-8
A81-3	Cascadable	20	500	17	4	20	TO-8
SMA80	Cascadable	10	550	29	2.3	27	Ceramic SMT0-8
SMA67-1	Cascadable, High Efficiency	10	600	15	3.7	30	SMT
SMA611	Cascadable, Low Noise, Low Volt	5	700	15	3.2	24	SMT
CA67-1 ♦	Cascadable, High Efficiency	10	600	15	3.7	30	Connectorized
A67-1	Cascadable, High Efficiency	10	600	15	3.7	30	TO-8
A611	Cascadable, Low Noise, Low Volt	5	700	15	3.2	24	TO-8
A67	Cascadable, High Efficiency	10	800	14	4	30	TO-8
AMC-176-SMA ♦	Cascadable	5	1000	13.2	4	27	Connectorized
CA66-3 ♦	Cascadable, High Efficiency	10	1000	26	3	13	Connectorized
A11	Cascadable Amplifier	5	1000	14.7	3.1	10	TO-8
SMA66-3	Cascadable, High Efficiency	10	1000	26	3	13	SMT
SMA1031	Cascadable, High Gain	10	1000	28.5	2.7	22	SMT
A12	Cascadable Amplifier	10	1000	16	2.8	22	TO-8
A66-3	Cascadable, High Efficiency	10	1000	26	3	13	TO-8
A1031	Cascadable, High Gain	10	1000	28.5	2.7	22	TO-8
A18-1	Cascadable, High Dynamic Range	10	1000	14.7	3.8	30	TO-8
SMA11-2	Cascadable	5	1000	16	2.5	10	SMT
CA18-1 ♦	Cascadable, High Dynamic Range	10	1000	14.7	3.8	30	Connectorized

Note: Part numbers are RoHS compliant ♦ indicates non-RoHS compliant
 Detailed specifications can be found quickly on our website at macom.com by typing the part number into the search box.
 All specifications are subject to change.

Hybrid Amplifiers: Low Noise Amplifiers (continued)

Part Number	Description	Min Freq (MHz)	Max Freq (MHz)	Gain (dB)	Noise Figure (mA)	OIP3 (dBm)	Package
SMA18-1	Cascadable, High Dynamic Range	10	1000	14.7	3.8	30	SMT
SMA63	Cascadable	5	1000	16	3	15	SMT
AMC-182-SMA ♦	Cascadable, High Gain	5	1000	28.2	3.5	20	Connectorized
A63	Cascadable	5	1000	16	3	15	TO-8
MAAM-008198-SMA162	Cascadable, High Efficiency	10	1200	13	3.5	18	SMTO-8
SMA1211	Cascadable, Low Volt	10	1200	14	2.8	20	SMT
CA12 ♦	Cascadable, Low Volt	10	1200	14	2.8	20	Connectorized
CA1212 ♦	Cascadable, Low Volt	100	1200	14	1.8	29	Connectorized
A1212	Cascadable Amplifier	100	1200	14	1.8	29	TO-8
SMA1212	Cascadable, Low Volt	100	1200	14	1.8	29	SMT
MAAM-008198-OCA162	Cascadable, High Efficiency	10	1200	13	3.5	18	Connectorized
A1211	Cascadable Amplifier	10	1200	14	2.8	20	TO-8
CA28-2 ♦	Cascadable, High Efficiency	10	1500	14	3.5	24	Connectorized
A28-2	Cascadable, High Efficiency	10	1500	14	3.5	24	TO-8
A25-1	Cascadable	2	1500	13.5	3	22	TO-8
SMA28-2	Cascadable, High Efficiency	10	1500	14	3.5	24	SMT
CA25-1 ♦	Cascadable	2	1500	13.5	3	22	Connectorized
AM-153-PIN ♦	Cascadable, Low Noise	300	1800	12.4	2.5	17	TO-8
PA38	Cascadable, Medium Power	200	2000	10	4	34	TO-8
CA32 ♦	Cascadable, Hi Linearity	100	2000	13	2.1	32	Connectorized
SMA32	Cascadable, Hi Linearity	100	2000	13	2.1	32	SMT
SMA32-1	Cascadable, Low Noise, Low Volt	100	2000	11.5	2.5	25	SMT
A32-1	Cascadable, Low Noise, Low Volt	100	2000	11.5	2.5	25	TO-8
A32	Cascadable, Hi Linearity	100	2000	13	2.1	32	TO-8
CPA38 ♦	Cascadable, Medium Power	200	2000	10	4	34	Connectorized
CA32-1 ♦	Cascadable, Low Noise, Low Volt	100	2000	11.5	2.5	25	Connectorized
A31-1	Cascadable Amplifier	10	2000	11.5	3.5	9	TO-8
SMPA38	Cascadable, Medium Power	200	2000	10	4	34	SMT
MAAM-007501-OA2002	Cascadable	20	2700	11.5	2.5	40	TO-8
MAAM-007501-CA2002	Cascadable	20	2700	11.5	2.5	40	Connectorized
MAAM-007501-SA2002	Cascadable	20	2700	11.5	2.5	40	SMTO-8
SMA45	Cascadable	1000	4000	17.5	4	29	SMT
CA45 ♦	Cascadable	1000	4000	17.5	4	29	Connectorized
A45-1	Cascadable	1000	4000	17.5	4	26	TO-8
SMA4012	Cascadable, Low Noise, Low Volt	1000	4000	18	3.5	26	SMT
A4012	Cascadable, Low Noise, Low Volt	1000	4000	18	3.5	26	TO-8
A4011	Cascadable, Low Noise, Low Volt	1000	4000	15.5	2	29	TO-8
SMA45-1	Cascadable	1000	4000	17.5	4	26	SMT
SMA4011	Cascadable, Low Noise, Low Volt	1000	4000	15.5	2	29	SMT
A45	Cascadable	1000	4000	17.5	4	29	TO-8
A61	Cascadable, Low Noise, Low Volt	2000	6000	7.5	3.2	25	TO-8
A6011	Cascadable, Low Noise, Low Volt	2000	6000	14.8	1.5	30	TO-8
SMA61	Cascadable, Low Noise, Low Volt	2000	6000	7.5	3.2	25	SMT
CA6011 ♦	Cascadable, Low Noise, Low Volt	2000	6000	14.8	1.5	30	Connectorized
SMA6011	Cascadable, Low Noise, Low Volt	1500	6000	14.8	1.5	30	Ceramic SMTO-8

Note: Part numbers are RoHS compliant ♦ indicates non-RoHS compliant

Detailed specifications can be found quickly on our website at macom.com by typing the part number into the search box. All specifications are subject to change.

Hybrid Amplifiers: Limiting Amplifiers

Part Number	Description	Min Freq (MHz)	Max Freq (MHz)	Gain (dBm)	Package
CAL7 ♦	Cascadable, Limiting Amplifier	50	500	13	SMA
LA7	Cascadable, Limiting Amplifier	50	500	12.5	TO-8
AL7	Cascadable, Limiting Amplifier	50	500	13	TO-8
SMLA7	Cascadable, Limiting Amplifier	50	500	12.5	Ceramic SMTO-8
CLA7 ♦	Cascadable, Limiting Amplifier	50	500	12.5	SMA
SMAL7	Cascadable, Limiting Amplifier	20	550	13	Ceramic SMTO-8
SMLA17	Cascadable, Limiting Amplifier	10	1000	11.5	Ceramic SMTO-8
CLA17 ♦	Cascadable, Limiting Amplifier	10	1000	11.5	SMA
LA17	Cascadable, Limiting Amplifier	10	1000	11.5	TO-8
SML1	Cascadable, Signal Limiter	5	3000	—	Ceramic SMTO-8
L1	Cascadable, Signal Limiter	5	3000	—	TO-8
SMLA45	Cascadable, Limiting Amplifier	1000	4000	11.5	Ceramic SMTO-8
CL42 ♦	Cascadable, Signal Limiter	50	4000	—	SMA
CLA45-1 ♦	Cascadable, Limiting Amplifier	1000	4000	14	SMA
LA45-1	Cascadable, Limiting Amplifier	1000	4000	14	TO-8
LA45	Cascadable, Limiting Amplifier	1000	4000	11.5	TO-8
L42	Cascadable, Signal Limiter	50	4000	—	TO-8
SML42	Cascadable, Signal Limiter	50	4000	—	SMT
SMLA45-1	Cascadable, Limiting Amplifier	800	4200	14	Ceramic SMTO-8

MACOM Diodes

For microwave circuit applications from 1 MHz to 80 GHz

MACOM designs, manufactures, and supports one of the widest variety of PIN, Schottky, Varactor, and Multiplier diodes in the industry for microwave circuit applications from 1 MHz to 80 GHz. Our diodes are manufactured in die, SURMOUNT™, plastic, and ceramic packaging for a variety of circuit configurations providing high performance.

Varactor Tuning Diodes

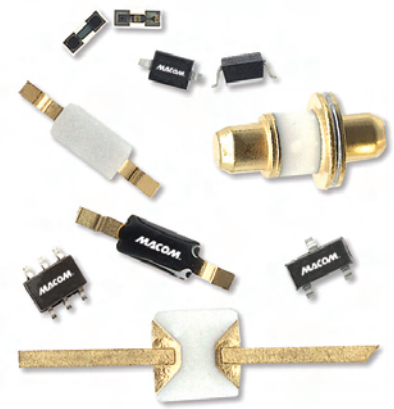
- > GaAs constant gamma series for higher frequency and high Q applications
- > Plastic packaged silicon varactor diodes for surface mount applications, including VCOs, tunable filters, and phase shifters

Multiplier Step Recovery Diodes

- > Flip chip series for higher frequency millimeterwave applications
- > Plastic packaged series for microwave frequency surface mount applications
- > Ceramic packaged series for high power waveguide and coaxial applications

PIN Switch and Attenuator Diodes

- > Broadband performance from 1 MHz to 70 GHz
- > Excellent choices for switch, limiter, phase shifter, and attenuator circuit applications
- > Plastic series for cost effective, surface mount applications
- > AlGaAs series for low loss, high isolation millimeter wave frequency applications
- > GaAs and silicon flip chip series for surface mount millimeterwave applications
- > SURMOUNT™ chipscale style for surface mount high performance applications



PIN Limiter Diodes

- > Die series for chip and wire high frequency microwave applications
- > Ceramic packaged series for waveguide, coaxial, and surface mount applications

Schottky Mixer and Detector Diodes

- > Best choice for microwave circuit detector and mixer applications ranging from DC to 80 GHz
- > Available in die form, SURMOUNT™, flip chip, plastic, and ceramic packaging

THz Diodes

- > The intrinsic cutoff frequencies of these Schottky junction devices exceed 1 THz
- > Well-suited for use in mixers and detectors operating in the frequency bands from 60 GHz into the hundreds of GHz bands.



Varactor Tuning Diodes

Part Number	Gamma	Total Capacitance (pF)	Quality Factor @ 50 MHz, Min	Breakdown Voltage (V)	Package
MAVR-045436-0287FT	0.5	4.7	1800	30	ODS-287
MAVR-045438-0287FT	0.5	6.8	1600	30	ODS-287
MAVR-045441-0287FT	0.5	12	1200	30	ODS-287
MAVR-045441-0287AT	0.5	12	1200	30	ODS-287
MAVR-045438-0287AT	0.5	6.8	1600	30	ODS-287
MAVR-045440-0287FT	0.5	10	1300	30	ODS-287
MA46603-134 S	0.5	0.6	6500	30	ODS-134 Die
MAVR-045446-0287AT	0.5	33	750	30	ODS-287
MAVR-045436-0287AT	0.5	4.7	1800	30	ODS-287
MAVR-045440-0287AT	0.5	10	1300	30	ODS-287
MA46600-134 S	0.5	0.3	8000	30	ODS-134 Die
MA46603-276	0.5	0.6	6500	30	ODS-276
MAVR-045436-12790T	0.5	4.7	1800	30	ODS-1279
MGV050-18 S	0.5	0.3	4000	22	C01A
MGV050-18-0805-2	0.5	0.36	4000	22	0805-2
MGV050-18-E28 / 28X	0.5	0.38	4000	22	E28 /28X
MGV050-18-H20 S	0.5	0.48	4000	22	H20
MGV050-20 S	0.5	0.55	4000	22	C01A
MGV050-20-0805-2	0.5	0.61	4000	22	0805-2
MGV050-20-E28 / 28X	0.5	0.63	4000	22	E28 /28X
MGV050-20-H20 S	0.5	0.73	4000	22	H20
MGV050-22	0.5	1	3000	22	C01A
MGV050-22-0805-2	0.5	1.06	3000	22	0805-2
MGV050-22-E28 / 28X	0.5	1.08	3000	22	E28 /28X
MGV050-22-H20 S	0.5	1.18	3000	22	H20
MGV050-24	0.5	1.5	3000	22	C01A
MGV050-24-0805-2	0.5	1.56	3000	22	0805-2
MGV050-24-E28 / 28X	0.5	1.58	3000	22	E28 /28X
MGV050-24-H20 S	0.5	1.68	3000	22	H20
MGV050-26 S	0.5	2	3000	22	C01A
MGV050-26-0805-2	0.5	2.06	3000	22	0805-2
MGV050-26-E28 / 28X	0.5	2.08	3000	22	E28 /28X
MGV050-26-H20 S	0.5	2.18	3000	22	H20
MTV4030-01	—	0.4	5000	30	Die/Various
MTV4030-02	—	0.6	5000	30	Die/Various
MTV4030-03	—	0.8	4800	30	Die/Various
MTV4030-04	—	1	4800	30	Die/Various
MTV4030-05	—	1.2	4600	30	Die/Various
MTV4030-08	—	1.8	4200	30	Die/Various
MTV4030-09	—	2.2	4000	30	Die/Various
MTV4030-10	—	2.7	3800	30	Die/Various
MTV4030-15	—	5.6	3000	30	Die/Various
MTV4030-20	—	15	2000	30	Die/Various
MTV4030-21	—	18	1800	30	Die/Various
MTV4030-22	—	22	1600	30	Die/Various
MTV4030-24	—	33	1400	30	Die/Various
MTV4030-26	—	47	1000	30	Die/Various

Note: Part numbers are RoHS compliant **S** indicates these parts are also available with Space and Hi-Rel Screening & Qualification. Detailed specifications can be found quickly on our website at macom.com by typing the part number into the search box. All specifications are subject to change.

Varactor Tuning Diodes (continued)

Part Number	Gamma	Total Capacitance (pF)	Quality Factor @ 50 MHz, Min	Breakdown Voltage (V)	Package
MA46H071-1088	0.75	1	4500	20	ODS-1088
MA46H070-1056 S	0.75	0.6	4500	20	ODS-1056
MA46H072-1056 S	0.75	3	3000	20	ODS-1056
MA46H073-1056 S	0.75	5	2200	20	ODS-1056
MA46H071-1056 S	0.75	1	4500	20	ODS-1056
MGV075-08	0.75	0.3	4000	22	CO1A
MGV075-09	0.75	0.4	4000	22	CO1A
MGV075-10	0.75	0.5	3000	22	CO1A
MAVR-011020-1411	0.9	0.025	3000	22	Pocket Tape and Gel Pack
MAVR-000250-0287AT	1	2.7	450	12	ODS-287
MAVR-000250-0287FT	1	2.7	450	12	ODS-287
MAVR-000250-11410T	1	2.7	450	12	ODS-1141
MAVR-000250-1146AT	1	2.7	450	12	ODS-1146
MAVR-000250-1146FT	1	2.7	450	12	ODS-1146
MAVR-000250-12790T	1	2.7	450	12	SC-79
MAVR-000120-14110G	1	0.35	3000	20	Flip Chip Die
MAVR-000120-14110P	1	0.35	3000	20	Flip Chip Die
MAVR-000403-0287AT	1	15	250	22	ODS-287
MAVR-000405-0287FT	1	22	175	22	ODS-287
MAVR-000407-0287FT	1	33	150	22	ODS-287
MAVR-011005-12790T	1	0.27	—	20	SC-79
MAVR-001340-11410T	1	9.2	600	12	ODS-1141
MAVR-000240-11410T	1	3.5	450	12	SOD323 (2L)
MAVR-001320-1146FT	1	28.3	350	12	ODS-1146
MAVR-001350-1146FT	1	5.9	690	12	ODS-1146
MAVR-001330-1146FT	1	13.2	530	12	ODS-1146
MAVR-001350-12790T	1	5.9	690	12	ODS-1279
MAVR-001230-12790T	1	4.7	1700	12	ODS-1279
MAVR-000350-11410T	1	6.2	400	12	ODS-1141
MAVR-000403-0287FT	1	15	250	22	ODS-287
MAVR-000340-11410T	1	9.5	350	12	ODS-1141
MAVR-001330-12790T	1	13.2	530	12	ODS-1279
MAVR-000404-0287FT	1	18	175	22	ODS-287
MAVR-001320-11410T	1	28.3	350	12	ODS-1141
MAVR-000407-0287AT	1	33	150	22	ODS-287
MAVR-001240-12790T	1	3.4	1200	12	ODS-1279
MAVR-000401-0287AT	1	10	250	22	ODS-287
MAVR-000401-0287FT	1	10	250	22	ODS-287
MA4ST1231-1141T	1	4.7	1700	12	ODS-1141
MAVR-000409-0287FT	1	47	150	22	ODS-287
MAVR-001340-1146FT	1	9.2	600	12	ODS-1146
MAVR-001330-11410T	1	13.2	530	12	ODS-1141
MAVR-000120-12030W	1	0.35	3000	15	Flip Chip Die
MA4ST1241-1141T	1	3.4	1200	12	ODS-1141
MAVR-001340-12790T	1	9.2	600	12	ODS-1279

Note: Part numbers are RoHS compliant **S** indicates these parts are also available with Space and Hi-Rel Screening & Qualification. Detailed specifications can be found quickly on our website at macom.com by typing the part number into the search box. All specifications are subject to change.

Varactor Tuning Diodes (continued)

Part Number	Gamma	Total Capacitance (pF)	Quality Factor @ 50 MHz, Min	Breakdown Voltage (V)	Package
MA46452-134	1	1	3000	22	ODS-134 Die
MA46461-186	1	4.7	1500	22	ODS-186
MA46HI20	1	0.35	3000	15	Flip Chip Die
MAVR-000240-0287AT	1	3.5	450	12	ODS-287
MAVR-000240-1146FT	1	3.5	450	12	ODS-1146
MAVR-000320-11410T	1	28	300	12	ODS-1141
MGVI00-08	1	0.35	4000	22	Die/Various
MGVI00-09	1	0.45	4000	22	Die/Various
MGVI00-20	1	0.55	4000	22	Die/Various
MGVI00-26	1	1.7	3000	22	Die/Various
MAVR-000202-12790T	1.25	3	2000	22	SC-79
MA46472-134	1.25	1	3000	22	ODS-134 Die
MA46480-134	1.25	3.8	2000	22	ODS-134 Die
MA46H200-1056	1.25	0.6	3000	22	ODS-1056
MA46474-134	1.25	1.5	3000	22	ODS-134 Die
MA46473-134	1.25	1.2	3000	22	ODS-134 Die
MA46477-134	1.25	2.2	3000	22	ODS-134 Die
MA46483-186	1.25	6.8	1500	22	ODS-186
MA46473-186	1.25	1.2	3000	22	ODS-186
MA46485-120	1.25	10	1500	22	ODS-120
MA46585-1209	1.25	0.5	3000	18	ODS-1209 Die
MA46474-120	1.25	1.5	3000	22	ODS-120
MA46470-120	1.25	0.5	4000	22	ODS-120
MA46472-94	1.25	1	3000	22	ODS-94
MA46470-134	1.25	0.5	4000	22	ODS-134 Die
MA46H204-1088	1.25	10	1500	22	ODS-1088
MA46H202-1056	1.25	3	2000	22	ODS-1056
MA46477-186	1.25	2.2	3000	22	ODS-186
MA46H204-1056	1.25	10	1500	22	ODS-1056
MA46H201-1088	1.25	1	3000	22	ODS-1088
MA46H203-1088	1.25	5	1500	22	ODS-1088
MA46474-95	1.25	1.5	3000	22	ODS-95
MA46H203-1056	1.25	5	1500	22	ODS-1056
MA46H202-1088	1.25	3	2000	22	ODS-1088
MA46471-134	1.25	0.7	4000	22	ODS-134 Die
MA46474-94	1.25	1.5	3000	22	ODS-94
MA46580-1209	1.25	0.5	3000	18	ODS-1209 Die
MA46H201-1056	1.25	1	3000	22	ODS-1056
MAVR-000080-0287AT	1.3	24.8	150	12	ODS-287
MAVR-000081-0287FT	1.3	10.1	300	12	ODS-287
MAVR-000080-0287FT	1.3	24.8	150	12	ODS-287
MAVR-000081-0287AT	1.3	10.1	300	12	ODS-287
MAVR-000083-0287FT	1.3	5	450	12	ODS-287

Varactor Tuning Diodes (continued)

Part Number	Gamma	Total Capacitance (pF)	Quality Factor @ 50 MHz, Min	Breakdown Voltage (V)	Package
MAVR-000083-0287AT	1.3	5	450	12	ODS-287
MAVR-000079-0287FT	1.3	54.1	80	12	ODS-287
MAVR-000082-0287AT	1.3	7.3	350	12	ODS-287
MA46416-134 S	1.5	1.8	2500	18	ODS-134 Die
MA46418-30 S	1.5	2.7	1800	18	ODS-30
MA46H501-1056	1.5	1	2500	18	ODS-1056
MA46H504-1056	1.5	10	1200	18	ODS-1056
MA46413-120	1.5	1	2500	18	ODS-120
MA46H500-1056	1.5	0.6	2500	18	ODS-1056
MA46418-120	1.5	2.7	1800	18	ODS-120
MA46H503	1.5	5	1200	18	ODS-1056
MHV500	—	2.5	2600	22	Die/Various
MHV503	—	4.7	2300	22	Die/Various
MHV504	—	5.6	2200	22	Die/Various
MHV505	—	6.8	2200	22	Die/Various
MHV507	—	10	1500	22	Die/Various
MHV508	—	12	1200	22	Die/Various
MHV509	—	14.6	1000	22	Die/Various
MHV510	—	17.4	800	22	Die/Various
MHV512	—	25.4	650	22	Die/Various
MHV513	—	31	600	22	Die/Various
SMV20413	—	22	200	12	Die/Various
SMV20415	—	11.3	350	12	Die/Various
SMV20422	—	27	150	12	Die/Various

Multiplier Step Recovery Diodes

Part Number	Total Capacitance Min (pF)	Total Capacitance Max (pF)	Reverse Voltage (V)	Lifetime (Typ vs Min) (ns)	T _t (Typ vs Max) (ps)	Package
MMDB30-B11 S	0.15	0.25	14	4	30	B11
MMDB35-B11 S	0.13	0.20	16	4	35	B11
MMDB45-B11 S	0.11	0.20	25	8	40	B11
MMDB30-0402	0.25	0.32	14	4	30	0402
MMDB30-0805-2	0.26	0.33	14	4	30	0805-2
MMDB30-E28 / 28X	0.28	0.36	14	4	30	E28 / 28X
MMDB35-0402	0.22	0.28	16	4	35	0402
MMDB35-0805-2	0.23	0.29	16	4	35	0805-2
MMDB35-E28 / 28X	0.25	0.31	16	4	35	E28 / 28X
MMDB45-0402	0.21	0.28	25	8	45	0402
MMDB45-0805-2	0.22	0.29	25	8	45	0805-2
MMDB45-E28 / 28X	0.24	0.31	25	8	45	E28 / 28X

Note: Part numbers are RoHS compliant **S** indicates these parts are also available with Space and Hi-Rel Screening & Qualification. Detailed specifications can be found quickly on our website at macom.com by typing the part number into the search box. All specifications are subject to change.

Multiplier Step Recovery Diodes (continued)

Part Number	Junction Capacitance Min (pF)	Junction Capacitance Max (pF)	Reverse Voltage (V)	Lifetime (T _L Min) (ns)	T _t (Max) (ps)	Package
MSD700 S	0.2	0.4	15	8	60	Die/Various
MSD700-12	0.2	0.4	15	8	60	CS12
MSD710 S	0.2	0.4	20	11	70	Die/Various
MSD720 S	0.2	0.4	30	17	100	Die/Various
MSD701 S	0.4	0.6	15	8	60	Die/Various
MSD711 S	0.4	0.6	20	11	70	Die/Various
MSD731 S	0.4	0.6	40	21	150	Die/Various
MSD722 S	0.6	0.8	30	17	100	Die/Various
MSD703 S	0.8	1	15	8	60	Die/Various
MSD723 S	0.8	1	30	17	100	Die/Various
MSD733 S	0.8	1	40	21	150	Die/Various
MAVR-044769-12790T	0.8	1.2	30	—	150	ODS-1279
MA144769-287T	0.8	1.2	30	—	150	ODS-287
MAVR-044769-0287FT	0.8	1.2	30	—	150	ODS-287
MSD724 S	1	1.4	30	17	100	Die/Various
MSD726 S	2	3	30	17	100	Die/Various
MSD736 S	2	3	40	21	150	Die/Various
MAVR-044767-0287AT	3	4.5	30	—	600	ODS-287
MMD0151-A15 S	—	0.8	15	—	100	A15
MMD0803-A15 S	—	6.15	70	—	400	A15
MMD0815-A15 S	—	4.15	50	—	320	A15
MMD0825-A15 S	—	2.15	45	—	160	A15
MMD0840-A15 S	—	0.75	15	—	—	A15
MMD805-0805	2.56	3.56	60	80	300	0805-2
MMD810-E28X	1.58	2.58	50	40	250	E28X
MMD810-C12 S	1.50	2.50	50	40	250	Die
MMD810-E28	1.58	2.58	50	40	250	E28
MMD810-H20 S	1.68	2.68	50	40	250	H20
MMD810-T86 S	1.68	2.68	50	40	250	T86
MMD810-T89 S	1.75	2.75	50	40	250	T89
MMD820-0805	1.06	1.76	40	30	100	0805-2
MMD820-E28X	1.08	1.78	40	30	100	E28X
MMD820-C12 S	1.00	1.70	40	30	100	Die
MMD820-E28	1.08	1.78	40	30	100	E28
MMD820-H20 S	1.18	1.88	40	30	100	H20
MMD820-T86 S	1.18	1.88	40	30	100	T86
MMD830-0805	0.56	1.06	25	15	80	0805-2
MMD830-E28X	0.58	1.08	25	15	80	E28X
MMD830-C11 S	0.50	1.00	25	15	80	Die
MMD830-E28	0.58	1.08	25	15	80	E28
MMD830-H20 S	0.68	1.18	25	15	80	H20
MMD830-T86 S	0.68	1.18	25	10	80	T86
MMD832-0805	0.46	0.86	20	10	80	0805-2
MMD832-E28X	0.48	0.88	20	10	80	E28X
MMD832-C11 S	0.40	0.80	20	10	80	Die
MMD832-E28	0.48	0.88	20	10	80	E28

Note: Part numbers are RoHS compliant **S** indicates these parts are also available with Space and Hi-Rel Screening & Qualification. Detailed specifications can be found quickly on our website at macom.com by typing the part number into the search box. All specifications are subject to change.

Multiplier Step Recovery Diodes (continued)

Part Number	Junction Capacitance Min (pF)	Junction Capacitance Max (pF)	Reverse Voltage (V)	Lifetime (T _L Min) (ns)	T _t (Max) (ps)	Package
MMD832-H20 S	0.58	0.98	20	10	60	H20
MMD832-T86 S	0.58	0.98	20	10	60	T86
MMD835-0805	0.36	0.86	15	10	60	0805-2
MMD835-E28X	0.38	0.88	15	10	50	E28X
MMD835-C11 S	0.30	0.70	15	10	70	Die
MMD835-E28	0.38	0.88	15	10	70	E28
MMD835-H20 S	0.42	0.92	15	10	70	H20
MMD835-T86 S	0.48	0.98	15	10	70	T86
MMD837-E28X	0.28	0.48	20	5	70	E28X
MMD837-0805	0.26	0.46	20	5	70	805-2
MMD837-C11 S	0.20	0.40	20	5	70	Die
MMD837-E28	0.28	0.48	20	5	70	E28
MMD837-H27 S	0.32	0.52	20	5	70	H27
MMD837-T86 S	0.38	0.58	20	5	70	T86
MMD840-0805	0.26	0.46	15	7	70	0805-2
MMD840-E28X	0.28	0.48	15	7	70	E28X
MMD840-C11 S	0.20	0.40	15	7	70	Die
MMD840-E28	0.28	0.48	15	7	70	E28
MMD840-H27 S	0.32	0.52	15	7	70	H27
MMD840-T86 S	0.38	0.58	15	7	70	T86
SMMD805-SOD323	2.5	3.5	60	80	300	SOD323
SMMD805-SOT23-0S	2.5	3.5	60	80	300	SOT23-0S
SMMD805-SOT23-1S	2.5	3.5	60	80	300	SOT23-1S
SMMD810-SOD323	1.5	2.5	50	40	250	SOD323
SMMD810-SOT23-0S	1.5	2.5	50	40	250	SOT23-0S
SMMD810-SOT23-1S	1.5	2.5	50	40	250	SOT23-1S
SMMD820-SOD323	1.0	1.7	40	30	125	SOD323
SMMD820-SOT23-0S	1.0	1.7	40	30	125	SOT23-0S
SMMD820-SOT23-1S	1.0	1.7	40	30	125	SOT23-1S
SMMD830-SOD323	0.5	1.0	25	15	110	SOD323
SMMD830-SOT23-0S	0.5	1.0	25	15	110	SOT23-0S
SMMD830-SOT23-1S	0.5	1.0	25	15	110	SOT23-1S
SMMD832-SOD323	0.4	0.8	20	10	100	SOD323
SMMD832-SOT23-0S	0.4	0.8	20	10	100	SOT23-0S
SMMD832-SOT23-1S	0.4	0.8	20	10	100	SOT23-1S
SMMD837-SOD323	0.2	0.4	20	5	90	SOD323
SMMD837-SOT23-0S	0.2	0.4	20	5	90	SOT23-0S
SMMD837-SOT23-1S	0.2	0.4	20	5	90	SOT23-1S
SMMD840-SOD323	0.2	0.4	15	5	90	SOD323
SMMD840-SOT23-0S	0.2	0.4	15	5	90	SOT23-0S

Note: Part numbers are RoHS compliant **S** indicates these parts are also available with Space and Hi-Rel Screening & Qualification. Detailed specifications can be found quickly on our website at macom.com by typing the part number into the search box. All specifications are subject to change.

PIN Switch and Attenuator Diodes

Part Number	Min Freq (MHz)	Max Freq (MHz)	CW Power Dissipation (W)	Total Capacitance (pF)	Resistance (Ω)	TI (ns)	Breakdown Voltage Min (V)	Package
MA4P1450NM-1091T	1	300	30	1.8	5	8000	50	ODS-1091
MADP-011084-1134B0	5	400	50	2	1	55	50	Ceramic 2-1d
MADP-011048	5	400	51	3	0.5	200	100	4mm HQFN-8
MA4PH611	1	500	10	1	0.4	5000	1000	ODS-1091
MA4P1200NM-401T	5	500	5.5	1.2	0.5	8000	50	ODS-401
MA4P1250NM-1072T	5	500	18	0.8	0.5	8000	50	ODS-1072
MA4PK3004	DC	500	50	4	0.2	65000	3000	ODS-1075
MA4P607-212	1	500	37.5	1.3	0.4	12000	1000	ODS-212 Die
MA4P506-255	1	500	13.6	0.95	0.3	3000	500	ODS-255
MA4P606-36 S	1	500	20	0.99	0.7	4000	1000	ODS-36
MA4PK3001	DC	500	75	4	0.2	65000	3000	ODS-1084
MA4P607-43	1	500	25	2	0.4	5000	100	ODS-43
MA4P504-255 S	1	500	7.5	0.4	0.6	1000	500	ODS-255
MA4P606-258	1	500	20	0.98	0.7	4000	1000	ODS-258
MA4PK3000	DC	500	75	4	0.2	65000	3000	ODS-1073
MA4PK2001	DC	500	50	3.2	0.2	30000	2000	ODS-1082
MA4P505-255 S	1	500	10.7	0.55	0.5	2000	500	ODS-255
MA4PK3003	DC	500	50	4	0.2	65000	3000	ODS-1085
MA4P4002B-402	DC	500	12	2.2	0.5	20000	200	ODS-402
MA4PK3002	DC	500	75	4	0.2	65000	3000	ODS-1074
MA4P4006B-402	DC	500	12	2.2	0.5	20000	600	ODS-402
MA4P606-30 S	1	500	15	0.8	0.7	4000	1000	ODS-30
MA4PK2000	DC	500	50	3.2	0.2	30000	2000	ODS-1027
MA4PK2002	DC	500	50	3.2	0.2	30000	2000	ODS-1048
MA4PK2003	DC	500	37.5	3.2	0.2	30000	2000	ODS-1080
MA4PK2004	DC	500	37.5	3.2	0.2	30000	2000	ODS-1038
MA4P604-255 S	1	500	15	0.6	1	3000	1000	ODS-255
MA4P709-150	DC	500	75	3.3	0.3	10000	1500	ODS-150
MA4P4301B-402	DC	500	10	2	1	15000	100	ODS-402
MA4P1200-401T	5	500	5.5	1.2	0.5	8000	50	ODS-401
MA4P4001B-402	DC	500	12	2.2	0.5	20000	100	ODS-402
MA4P607-296 S	1	500	25	2.35	0.4	5000	1000	ODS-296
MA4P504-186 S	1	500	7.5	0.4	0.6	1000	500	ODS-186
MA4P504-30 S	1	500	7.5	0.4	0.6	1000	500	ODS-30
MA4P506-258	1	500	13.6	0.95	0.3	3000	500	ODS-258
MA4P506-30 S	1	500	13.6	0.95	0.3	3000	500	ODS-30
MA4P506-31 S	1	500	13.6	0.95	0.3	3000	500	ODS-31
MADP-000015-000030 S	1	500	15	0.55	0.4	2000	500	ODS-30
MA4P7435NM-1091T	DC	1000	50	2.5	0.2	14000	1100	ODS-1091
MA4P7002B-401T	1	1000	5	0.7	0.9	5000	200	ODS-401
MA4P7441F-1091T	DC	1000	30	2.2	0.5	18000	100	ODS-1091
MA4P7446F-1091T	DC	1000	25	2.2	0.5	19000	600	ODS-1091
MA4P1450-1091T	DC	1000	30	1.8	0.5	8000	50	ODS-1091
1N5719 S	1	1000	0.3	0.35	1.5	3000	100	ODS-54
MA4P4001F-1091T	DC	1000	7.5	2.2	0.5	20000	100	ODS-1091
MA4P4002F-1091T	DC	1000	7.5	2.2	0.5	20000	200	ODS-1091
MA47266-146 S	1	1000	0.5	1.5	0.6	4000	200	ODS-146

Note: Part numbers are RoHS compliant **S** indicates these parts are also available with Space and Hi-Rel Screening & Qualification. Detailed specifications can be found quickly on our website at macom.com by typing the part number into the search box. All specifications are subject to change.

PIN Switch and Attenuator Diodes (continued)

Part Number	Min Freq (MHz)	Max Freq (MHz)	CW Power Dissipation (W)	Total Capacitance (pF)	Resistance (Ω)	TI (ns)	Breakdown Voltage Min (V)	Package
MA4P606-4 S	1	1000	1	0.7	0.7	4000	1000	ODS-4
MA4P4301F-1091T	DC	1000	5	2	1	15000	100	ODS-1091
MA4P4006F-1091T	DC	1000	7.5	2.2	0.5	20000	600	ODS-1091
MA4PH239-1079T	DC	1000	1	0.8	6	2000	200	ODS-1079
MA47047-54 S	1	1000	0.3	0.3	1.5	1000	200	ODS-54
MA4P7102B-401T	1	1000	6	1	0.5	2500	200	ODS-401
MA4P7104B-401T	1	1000	6	1	0.5	2500	400	ODS-401
MA4P606-131 S	1	1000	15	0.6	0.7	4000	1000	ODS-131 Die
MA4P7101F-1072T	1	1000	11.5	1	0.5	2500	100	ODS-1072
MA44781	10	1000	1.7	1.5	0.8	200	60	ODS-1134
MA4PH237-1079T	1	1000	1	1.5	0.6	3000	200	ODS-1079
MA47208	1	1000	15	1.3	0.3	1300	1000	ODS-114
MA45471	10	1000	1.7	3.3		200	75	ODS-1134
MA4P7006B-401T	1	1000	5	0.7	0.9	5000	600	ODS-401
MA4P7101B-401	1	1000	6	1	0.5	2500	100	ODS-401
MA4PH238-1072T	DC	1000	1	0.5	6	2000	200	Ceramic SMT
MADP-000504-10720T	DC	1000	2.9	0.5	0.6	1000	500	ODS-1072
MADP-007417-10720T	DC	1000	12	0.7	0.8	6500	1000	ODS-1072
MEST2G-150-10-CM30	1	1000	150	1	0.2	3200	500	CM30
MSWSE-020-05	10	1000	20	0.62	0.3	600	250	0503
MSWSE-020-10	10	1000	30	0.37	0.8	490	250	0503
MSWSE-050-10	100	3000	50	0.53	0.4	3200	500	0805P
MADP-011034-10720T	10	1500	6	1	0.4	300	150	ODS-1072
MADP-000404-10720T	100	1500	7.5	0.6	0.7	100	250	ODS-1072
MADP-000488-13740W S	100	1500	15	0.16	1.6	4000	900	ODS-1374 Die
MADP-000135-01340W S	100	1500	50	0.15	1.2	440	200	ODS-134 Die
MADP-000235-10720T	DC	1500	7.5	1.2	0.5	300	35	ODS-1072
MADP-000234-10720T	DC	1500	3	1.7	0.3	3000	500	ODS-1072
MA4P7418-1072T	DC	1500	11.5	0.8	1.2	7000	1100	ODS-1072
MA4P7470F-1072T	DC	1500	12	0.7	0.8	6500	800	ODS-1072
MA4P7452F-1072T	DC	1500	10	0.7	0.9	9000	150	ODS-1072
MA4P7461F-1072T	DC	1500	8	1	0.5	6000	100	ODS-1072
MA4P7464F-1072T	DC	1500	7.5	0.8	0.5	4500	400	ODS-1072
MA4P505-1072T	DC	1500	15	0.7	0.5	2000	500	ODS-1072
MA4P7002F-1072T	DC	1500	10	0.7	0.9	5000	200	ODS-1072
MA4P504-1072T	DC	1500	7.5	0.55	0.6	1000	500	ODS-1072
MA4P7006F-1072T	DC	1500	10	0.7	0.9	5000	600	ODS-1072
MA4P7102F-1072T	DC	1500	11.5	1	0.5	2500	200	ODS-1072
MA4P7104F-1072T	DC	1500	11.5	1	0.5	2500	400	ODS-1072
MA4P506-1072T	DC	1500	15	1	0.3	3000	500	ODS-1072
MA4P7001F-1072T	DC	1500	10	0.7	0.9	5000	100	ODS-1072
MA4P1250-1072T	DC	1500	18	0.9	0.5	8000	50	ODS-1072
MA4PH235-1072T	1	1500	1	1.2	0.5	300	35	ODS-1072
MEST2G-050-80	45	1500	50	0.28	0.5	2200	500	2615
MADP-009989	30	1500	4	1.2	0.3	6500	75	SMT and Axial Lead
MADP-000208-13180W	30	1800	2.6	0.81	0.4	500	90	ODS-1318 SURMOUNT™

Note: Part numbers are RoHS compliant **S** indicates these parts are also available with Space and Hi-Rel Screening & Qualification. Detailed specifications can be found quickly on our website at macom.com by typing the part number into the search box. All specifications are subject to change.

PIN Switch and Attenuator Diodes (continued)

Part Number	Min Freq (MHz)	Max Freq (MHz)	CW Power Dissipation (W)	Total Capacitance (pF)	Resistance (Ω)	TI (ns)	Breakdown Voltage Min (V)	Package
MADP-000165-01340W S	100	2000	50	0.06	2.5	200	200	ODS-134 Die
MADP-042508-130600 S	50	2000	1.3	0.6	0.9	310	100	ODS-1306 Die
MADP-042505-130600 S	50	2000	1.3	0.6	0.8	210	80	ODS-1306 Die
MA4P404-258	5	2000	7.5	0.58	0.7	1000	250	ODS-258
MA4P404-30 S	5	2000	7.5	0.4	0.6	1000	250	ODS-30
MA4PH236-1072T	10	2000	1	0.5	3	1500	600	ODS-1072
MA47120-54T	DC	2000	0.25	1	0.5	3000	35	ODS-54
MA47123-139	DC	2000	0.25	0.5	3	1000	200	ODS-139
MA47600-54	DC	2000	0.25	0.3	6	2000	200	ODS-54
MA4P203-54	DC	2000	0.25	0.25	1.5	100	100	ODS-54
MA4P404-54	DC	2000	0.25	0.3	0.7	1000	250	ODS-54
MA4P504-4	DC	2000	0.25	0.35	0.6	1000	500	ODS-4
MA4P505-4	DC	2000	0.25	0.5	0.6	1000	500	ODS-4
MA4P506-4	DC	2000	0.25	0.85	0.3	2500	500	ODS-4
MA4PH151-139T	DC	2000	0.25	1.2	0.6	1000	100	ODS-139
MA4PH301	DC	2000	0.25	1.1	1	4000	200	ODS-146
MA4PH401-54T	DC	2000	0.25	0.3	1.5	1000	50	ODS-54
MEST2G-150-10-CM32	1	2000	150	0.5	0.2	3000	500	CM32
MSWSE-044-10	1	2000	40	0.3	0.5	1200	300	0805P
MA4P7433ST-1146T	25	2500	0.2	0.47	1.5	200	75	SC-70 (3L)
MADP-007448-0287DT	25	2500	0.3	0.37	2	400	100	SOT-23
MADP-007167-0287FT	1	2500	0.3	0.42	16	3000	200	SOT-23
MADP-007167-0287BT	1	2500	0.3	0.42	16	3000	200	SOT-23
MADP-007436-0287DT	25	2500	0.2	1.12	0.5	200	75	SOT-23
MADP-007433-0287DT	25	2500	0.3	0.42	1.5	200	75	SOT-23
MADP-007167-11410T	1	2500	0.2	0.42	16	3000	200	SOD-323 (2L)
MA4P7455CA-287T	5	2500	0.3	0.35	3	1000	100	SOT-23
MADP-007167-0287GT	1	2500	0.3	0.42	16	3000	200	SOT-24
MA4P7447ST-287T	15	2500	0.3	1.32	0.6	1000	100	SOT-25
MA4P7436CK-287T	25	2500	0.3	1.12	0.5	200	75	SOT-26
MA4P7455CA-1146T	5	2500	2	0.47	3	1000	100	SC70 (3L)
MADP-007448-12790T	25	2500	0.2	0.35	2	400	100	SC-79
MADP-007167-0287DT	1	2500	0.3	0.42	16	3000	200	SOT-23
MA4P7436ST-287T	25	2500	0.3	1.12	0.5	200	75	SOT-23
MA4P7447CA-287T	15	2500	0.3	1.32	0.6	1000	100	SOT-23
MADP-007448-0287BT	25	2500	0.3	0.37	2	400	100	SOT-23
MADP-007448-1146GT	25	2500	0.2	0.37	2	400	100	SC70 (3L)
MA4P7455-287T	5	2500	0.3	0.47	3	1000	100	SOT-23
MADP-007455-0287DT	5	2500	0.3	0.47	3	400	100	SOT-23
MA4P7455ST-287T	5	2500	0.3	0.47	3	1000	100	SOT-23
MA4P7436-1141T	25	2500	0.2	1.11	0.5	200	75	SOD-323 (2L)
MADP-007436-1146DT	25	2500	0.2	1.12	0.5	200	75	SOT-323
MA4P7433ST-287T	25	2500	0.3	0.47	1.5	200	75	SOT-23
MA4P7447-1141T	15	2500	0.2	1.31	0.6	1000	100	SOD-323 (2L)
MA4P7433CK-287T	25	2500	0.3	0.47	1.5	200	75	SOT-23
MA4P7433-287T	25	2500	0.3	0.47	1.5	200	75	SOT-23
MA4P7455CK-1146T	5	2500	0.2	0.47	3	1000	100	SC70 (3L)

Note: Part numbers are RoHS compliant **S** indicates these parts are also available with Space and Hi-Rel Screening & Qualification. Detailed specifications can be found quickly on our website at macom.com by typing the part number into the search box. All specifications are subject to change.

PIN Switch and Attenuator Diodes (continued)

Part Number	Min Freq (MHz)	Max Freq (MHz)	CW Power Dissipation (W)	Total Capacitance (pF)	Resistance (Ω)	T1 (ns)	Breakdown Voltage Min (V)	Package
MADP-007155-0287DT	15	2500	0.3	1.32	0.6	1000	100	SOT-23
MA4P7447-287T	15	2500	0.3	1.32	0.6	1000	100	SOT-23
MA4P7455CK-287T	5	2500	0.3	0.35	3	1000	100	SOT-23
MA4P7433-1141T	25	2500	0.2	0.46	1.5	200	75	SOD-323 (2L)
MA4P7436-287T	25	2500	0.3	1.12	0.5	200	75	SOT-23
MA4P7433CA-287T	25	2500	0.3	0.47	1.5	200	75	SOT-23
MA4P7447CK-287T	15	2500	0.3	1.32	0.6	1000	100	SOT-23
MA4P7436CK-1146T	25	2500	0.2	1.12	0.5	200	75	SC70 (3L)
MA4P604-258	1	2500	15	0.68	1	3000	1000	ODS-258
MA4P604-30 S	1	2500	15	0.5	1	3000	1000	ODS-30
MA4P7433CA-1146T	25	2500	0.2	0.47	1.5	200	75	SC-70 (3L)
MA4P7433CK-1146T	25	2500	0.2	0.47	1.5	200	75	SC-70 (3L)
MA4P7436-1146T	25	2500	0.2	1.12	0.5	200	75	SC-70 (3L)
MA4P7436CA-1146T	25	2500	0.2	1.12	0.5	200	75	SOT-323
MA4P7436CA-287T	25	2500	0.3	1.12	0.5	200	75	SOT-23
MA4P7436ST-1146T	25	2500	0.2	1.12	0.5	200	75	SC-70 (3L)
MA4P7455ST-1146T	5	2500	0.3	0.47	3	1000	100	SC-70 (3L)
MADP-007167-0287AT	1	2500	0.3	0.42	16	3000	200	SOT-23
MADP-007433-1146DT	25	2500	0.3	0.42	1.5	200	75	SC70 (3L)
MADP-007448-0287AT	25	2500	0.3	0.37	2	400	100	SOT-23
MADP-007448-0287FT	25	2500	0.3	0.37	2	400	100	SOT-23
MADP-007448-0287GT	25	2500	0.3	0.37	2	400	100	SOT-23
MADP-007448-11410T	25	2500	0.2	0.36	2	400	100	SOD-323 (2L)
MADP-007448-1146BT	25	2500	0.2	0.37	2	400	100	SC70 (3L)
MADP-007455-1146DT	5	2500	0.2	0.42	3	1000	100	SC70 (3L)
MADP-007448-1146DT	25	2500	—	0.25	2	—	100	SMT
MEST2G-050-45	45	2500	50	0.18	0.4	1200	500	2615
MSWSE-010-15	10	3000	10	0.21	0.8	500	200	0503
MEST2G-100-20-CM33	1	2600	100	—	—	2000	500	CM33
MEST2G-160-10-CM33	1	1000	160	—	—	5000	500	CM33
MADP-010633-13920T	25	3000	6	0.4	0.6	1000	500	ODS-132
MADP-010631-13920T	25	3000	5	1	0.5	200	100	ODS-1392
MADP-010630-13920T	25	3000	2	0.35	1.5	200	100	ODS-1392
MA4SPS422	50	3000	1.8	0.34	3.1	10000	200	SURMOUNT™ Die
MSWSE-010-15S	1	3000	10	0.17	0.8	650	200	0402P
MSWSE-010-16S	1	3000	10	0.15	0.9	1000	250	0402P
MSWSE-040-10	1	3000	40	0.12	0.6	700	250	0805P
MSWSE-050-17	100	3000	60	0.2	0.7	1600	500	0805P
MADP-000506-014400 S	1	4000	10	0.7	0.3	100	500	ODS-144
MADP-007433-0287HT	25	4000	0.3	0.42	1.5	200	75	SOT-23
MADP-007433-12790T	25	4000	0.2	0.4	1.5	200	75	SC-79
MADP-042405-130600 S	50	4000	1.3	0.27	0.8	210	80	ODS-1306 Die
MADP-007436-12790T	25	4000	0.2	1.1	0.5	200	75	SC-79
MADP-007455-12790T	5	4000	0.2	0.45	3	1000	100	SC-79
MA4P505-36 S	1	4000	15	0.55	0.5	2000	500	ODS-36
MA4P303-186 S	20	4000	0.3	0.35	1.5	200	200	ODS-186

Note: Part numbers are RoHS compliant **S** indicates these parts are also available with Space and Hi-Rel Screening & Qualification. Detailed specifications can be found quickly on our website at macom.com by typing the part number into the search box. All specifications are subject to change.

PIN Switch and Attenuator Diodes (continued)

Part Number	Min Freq (MHz)	Max Freq (MHz)	CW Power Dissipation (W)	Total Capacitance (pF)	Resistance (Ω)	TI (ns)	Breakdown Voltage Min (V)	Package
MA4P203-30 S	30	4000	5	0.35	1.5	100	100	ODS-30
MA4P203-1056 S	30	4000	0.3	0.35	1.5	100	100	ODS-1056
MA4P303-120 S	20	4000	5	0.35	1.5	200	200	ODS-120
MA4P202-276	50	4000	0.3	0.25	2.5	60	100	ODS-276
MA4P506-131 S	1	4000	13.6	0.7	0.3	3000	500	ODS-131 Die
MA4P303-1088	20	4000	0.3	0.47	1.5	200	200	ODS-1088
MA4P202-120 S	50	4000	0.3	0.25	2.5	60	100	ODS-120
MA4P7455-1225	10	4000	—	0.47	1.4	1000	100	SOT-25
MADP-007167-0287HT	1	4000	0.3	0.42	16	3000	200	SOT-23
MADP-042408-130600	50	4000	1.5	0.36	0.6	380	100	ODS-1306 Die
MEST2G-025-10-CM32	1	4000	25	0.22	1.3	2000	200	CM32
MADP-007437-0287BT	5	5000	0.3	0.42	6	2000	200	SOT-23
MADP-007437-0287DT	5	5000	0.3	0.42	6	2000	200	SOT-23
MADP-007438-0287FT	5	5000	0.2	0.42	10	3000	200	SC70 (3L)
MADP-007438-0287DT	5	5000	0.3	0.42	10	3000	200	SC70 (3L)
MA4P7437-1141T	5	5000	0.2	0.46	6	2000	200	SOD-323 (2L)
MADP-007438-0287BT	5	5000	0.3	0.42	10	3000	200	SC70 (3L)
MA4P7437-287T	5	5000	0.3	0.47	6	2000	200	SOT-23
MADP-007437-0287FT	5	5000	0.3	0.42	6	2000	200	SOT-23
MA4P7455-1141T	5	5000	0.2	0.46	3	1000	100	SOD-323 (2L)
MA4P7438-287T	5	5000	0.2	0.47	10	3000	200	SC70 (3L)
MA4P7438-1141T	5	5000	0.2	0.46	10	3000	200	SOD-323 (2L)
MA4P7437CA-287T	5	5000	0.3	0.47	6	2000	200	SOT-23
MA4P7438CA-287T	5	5000	0.3	0.47	10	3000	200	SC70 (3L)
MADP-042308-130600 S	50	6000	1	0.14	1.3	280	100	ODS-1306 Die
MADP-008120-12790T	10	6000	0.2	0.15	2.5	200	100	SC-79
MADP-042305-130600 S	50	6000	1	0.14	1.3	180	80	ODS-1306 Die
MA4SPS421	50	6000	1.8	0.13	6.2	5000	200	SURMOUNT™ Die
MA4P505-131 S	1	6000	10.7	0.35	0.5	2000	500	ODS-131 Die
MADP-017015-1314 S	1	6000	5	0.32	0.7	1300	115	ODS-1314 Die
MADP-017025-1314 S	1	6000	5	0.23	1	2300	1335	ODS-1314 Die
MADP-030015-13140P S	1	6000	11.5	0.78	0.5	1600	115	ODS-1314 Die
MADP-030025-1314 S	1	6000	11.5	0.5	0.7	2800	135	ODS-1314 Die
MEST2G-020-15	100	6000	20	0.08	1.2	50	100	2012
MSWSE-005-10S	10	6000	5	0.08	2	180	200	0402P
MSWSE-005-15	10	6000	4	0.11	2	180	200	0503
MSWSH-020-30	100	6000	20	0.13	0.6	600	100	2012
MSWSH-040-30	50	6000	40	0.42	0.4	600	500	2012
MSWSH-100-30	100	6000	100	0.4	0.4	3400	700	CM22
MA4P504-144 S	1	8000	7.5	0.4	0.6	1000	500	ODS-144
MA4P604-131 S	1	8000	15	0.3	1	3000	1000	ODS-131 Die
MA47222 S	1	8000	3.8	0.4	1.6	160	150	ODS-144
MA47223 S	1	8000	7.5	0.4	0.6	1000	500	ODS-144
MA47418-134 S	5	10000	6	0.15	3	1000	200	ODS-134 Die
MA47416-132 S	DC	10000	5	0.15	6	2000	200	ODS-132 Die
MA4P504-132 S	1	10000	7.5	0.2	0.6	1000	500	ODS-132 Die

Note: Part numbers are RoHS compliant **S** indicates these parts are also available with Space and Hi-Rel Screening & Qualification. Detailed specifications can be found quickly on our website at macom.com by typing the part number into the search box. All specifications are subject to change.

PIN Switch and Attenuator Diodes (continued)

Part Number	Min Freq (MHz)	Max Freq (MHz)	CW Power Dissipation (W)	Total Capacitance (pF)	Resistance (Ω)	T1 (ns)	Breakdown Voltage Min (V)	Package
MA4P404-132 S	5	10000	7.5	0.2	0.7	600	250	ODS-132 Die
MEST2G-010-20	100	10000	10	0.3	1.5	50	125	2012
MEST2G-080-25-CM27	1	10000	80	0.3	1	1550	500	CM27
MEST2G-150-20-CM26	1	10000	3	0.19	1.8	1800	500	CM26
MSAT-N25	100	10000	2	—	1.5	3000	200	2012
MSAT-P25	100	10000	2	—	1.5	3000	200	2012
MSWSHB-020-30	50	10000	40	0.5	—	4000	200	2012
MSWSHC-040-40	50	10000	40	0.5	—	3000	300	2615
MADP-011028-14150T	50	12000	4.3	0.24	3.4	2000	200	1.5x1.2 mm TDFN-6
MADP-011027-14150T	50	12000	3.3	0.24	1.9	1000	100	1.5x1.2 mm TDFN-6
MADP-011029-14150T	50	12000	7.5	0.31	1.5	1000	400	1.5x1.2 mm TDFN-6
MADP-042908-130600 S	50	16000	0.8	0.06	3.1	230	100	ODS-1306 Die
MADP-042905-130600 S	50	16000	0.8	0.06	3.1	140	80	ODS-1306 Die
MADP-000402-12530G S	50	18000	1	0.04	5	200	1000	ODS-1253 Die
MADP-000402-12530P S	50	18000	1	0.04	4.5	200	70	ODS-1253 Die
MADP-064908-131000 S	50	18000	1	0.05	5	200	100	ODS-1310 Die
MA4PBL027 S	100	18000	0.2	0.03	4	150	90	Beam Lead Die
MA4P7493-134 S	50	18000	2.5	0.05	1.8	80	150	ODS-134 Die
MA4SPS402 S	50	18000	1	0.04	5	200	100	ODS-1253 Die
MA4PI61-134 S	100	18000	2.3	0.1	1.5	150	100	ODS-134 Die
MA4P203-134 S	30	18000	5	0.15	1.5	100	100	ODS-134 Die
MA4P303-134 S	20	18000	5	0.15	1.5	200	200	ODS-134 Die
MA4FCP305	100	24000	0.2	0.06	2.1	25	40	ODS-1269 Die
MA4SPS552 S	50	26000	1	0.06	1.7	2500	200	ODS-1270
MA4SPS502 S	1	26000	35	0.14	2.4	2800	275	ODS-1270
MA4SPS302 S	1	26000	0.8	0.4	1.3	460	100	SURMOUNT™ Die
MSWSH-020-24	100	26000	2	—	—	600	200	2020
MADP-001907-13050P	100	30000	0.5	0.03	4.2	4	50	Flip Chip Die
MADP-000907-14020P	100	30000	0.1	0.03	5.2	4	45	Flip Chip Die
MADP-000907-14020W	100	30000	0.1	0.03	5.2	4	45	Flip Chip Die
MA4AGP907	100	30000	0.1	0.03	5.2	4	50	Flip Chip Die
MA4FCP300	100	30000	0.2	0.03	2.6	140	70	ODS-1269 Die
MA4GP907	100	30000	0.3	0.03	4.2	2	45	Flip Chip Die
MA4AGFCP910	100	40000	0.1	0.02	5.2	4	75	Flip Chip Die
MA4AGBLP912 S	100	40000	0.1	0.02	4	5	50	Beam Lead Die
MA4FCP200	100	40000	0.1	0.02	2.8	100	70	ODS-1264 Die
MA4GP905	100	40000	0.1	0.03	3	2	50	Die
MA4GP022 S	100	40000	0.3	0.15	1	20	50	ODS-277
MA4GP030 S	100	40000	0.3	0.06	2	25	100	ODS-277
MGPN1503-C01A S	100	26000	—	0.03	3	10	205	C01A
MMP7010 S	200	14000	—	0.1	1	10	25	Die/Variou
MMP7011 S	200	12000	—	0.15	0.8	10	25	Die/Variou
MMP7020 S	1	18000	—	0.05	1.2	60	70	Die/Variou
MMP7021 S	1	14000	—	0.1	1	60	70	Die/Variou
MMP7022 S	1	10000	—	0.15	0.9	60	70	Die/Variou
MMP7023 S	1	8000	—	0.2	0.7	60	70	Die/Variou
MMP7024 S	1	6000	—	0.25	0.5	60	70	Die/Variou

Note: Part numbers are RoHS compliant **S** indicates these parts are also available with Space and Hi-Rel Screening & Qualification. Detailed specifications can be found quickly on our website at macom.com by typing the part number into the search box. All specifications are subject to change.

PIN Switch and Attenuator Diodes (continued)

Part Number	Min Freq (MHz)	Max Freq (MHz)	CW Power Dissipation (W)	Total Capacitance (pF)	Resistance (Ω)	T1 (ns)	Breakdown Voltage Min (V)	Package
MMP7025 S	1	18000	—	0.03	1.9	100	100	Die/Various
MMP7026	1	14000	—	0.07	1.5	100	100	Die/Various
MMP7027	1	14000	—	0.1	1.2	100	100	Die/Various
MMP7028	1	10000	—	0.15	1	100	100	Die/Various
MMP7031	1	18000	—	0.03	3	225	200	Die/Various
MMP7033	1	14000	—	0.1	1.6	225	200	Die/Various
MMP7034	1	10000	—	0.15	1	225	200	Die/Various
MMP7035	1	8000	—	0.2	0.8	225	200	Die/Various
MMP7036	1	5000	—	0.3	0.7	225	200	Die/Various
MMP7040	1	15000	—	0.03	2.6	400	200	Die/Various
MMP7041	1	12000	—	0.07	1.5	400	200	Die/Various
MMP7060	0.5	16000	—	0.05	2	1000	250	Die/Various
MMP7061	0.5	14000	—	0.08	1.5	1000	250	Die/Various
MMP7062	0.5	12000	—	0.1	1.2	1000	250	Die/Various
MMP7063	0.5	8000	—	0.2	1	1000	250	Die/Various
MMP7064	0.5	6000	—	0.3	0.8	1500	250	Die/Various
MMP7065	0.5	14000	—	0.08	1.5	1500	500	Die/Various
MMP7066	0.5	12000	—	0.1	1.2	1500	500	Die/Various
MMP7067	0.5	8000	—	0.2	1	1500	500	Die/Various
MMP7068	0.5	4000	—	0.3	0.8	2000	500	Die/Various
MMP7071 S	0.1	100	—	2	1	8000	100	Die/Various
MMP7071-127-4	0.1	100	5	2	1	8000	100	CS127-4
MMP7071-128-4	0.1	100	5	2	1	8000	100	CS128-4
MMP7078 S	0.1	100	—	1	0.5	2500	400	Die/Various
MMP7078-127-1	0.1	100	5	1	0.5	2500	400	CS127-1
MMP7078-128-1	0.1	100	5	1	0.5	2500	400	CS128-1
MMP7080	0.1	150	—	0.7	0.8	3000	600	Die/Various
MMP7080-127-1	0.1	150	5	0.7	0.8	3000	600	CS127-1
MMP7080-128-1	0.1	150	5	0.7	0.8	3000	600	CS128-1
MMP7089-127-1	0.1	500	5	0.5	0.6	1000	500	CS127-1
MMP7089-128-1	0.1	500	5	0.5	0.6	1000	500	CS128-1
MMP7092 S	1	6000	—	0.2	0.6	1000	500	Die/Various
MMPN080045 S	2000	20000	—	—	—	—	200	C50
MMPN080150 S	2000	35000	—	—	—	—	200	C51
MMSPN050-C53 S	1000	40000	40	—	0.6	4000	200	C53
MMSPN050-C54 S	1000	40000	40	—	0.6	4000	200	C54
MNP0008 S	100	12000	1	0.08	2	150	100	C12p
MNP0008-ET47P	100	12000	1	0.48	2	150	100	ET47p
MNP0008-T54P S	100	12000	0.25	0.28	2	150	100	T54p
MNP0008-T55P S	100	12000	0.25	0.21	2	150	100	T55p
MNP0008-T89P S	100	12000	0.25	0.33	2	150	100	T89p
MNP0010 S	10	12000	1	0.08	2	300	150	C12p
MNP0010-ET47P	10	12000	1	0.48	2	300	150	ET47p
MNP0010-T54P S	10	12000	0.25	0.28	2	300	150	T54p
MNP0010-T55P S	10	12000	0.25	0.21	2	300	150	T55p
MNP0010-T89P S	10	12000	0.25	0.33	2	300	150	T89p
MNP0012 S	5	12000	1	0.08	3.5	350	300	C12p

Note: Part numbers are RoHS compliant **S** indicates these parts are also available with Space and Hi-Rel Screening & Qualification. Detailed specifications can be found quickly on our website at macom.com by typing the part number into the search box. All specifications are subject to change.

PIN Switch and Attenuator Diodes (continued)

Part Number	Min Freq (MHz)	Max Freq (MHz)	CW Power Dissipation (W)	Total Capacitance (pF)	Resistance (Ω)	TI (ns)	Breakdown Voltage Min (V)	Package
MNP0012-ET47P	5	12000	1	0.48	3.5	350	300	ET47p
MNP0012-T54P S	5	12000	0.25	0.28	3.5	350	300	T54p
MNP0012-T55P S	5	12000	0.25	0.21	3.5	350	300	T55p
MNP0012-T89P S	5	12000	0.25	0.33	3.5	350	300	T89p
MNP0012A S	5	8000	1	0.18	0.6	650	350	C22p
MNP0012A-ET47P	5	8000	1	0.58	0.6	650	350	ET47p
MNP0012A-T54P S	5	8000	0.25	0.36	0.6	650	350	T54p
MNP0012A-T55P S	5	8000	0.25	0.31	0.6	650	350	T55p
MNP0012A-T89P S	5	8000	0.25	0.43	0.6	650	350	T89p
MNP0014 S	1	10000	1.5	0.12	1.3	750	500	C22p
MNP0014-ET47P	1	10000	0.5	0.52	0.8	750	450	ET47p
MNP0014-T54P S	1	10000	0.1	0.32	0.8	750	450	T54p
MNP0014-T55P S	1	10000	0.1	0.25	0.8	750	450	T55p
MNP0014-T89P S	1	10000	0.1	0.37	0.8	750	450	T89p
MNP0014A S	1	10000	0.1	0.18	0.8	1400	500	C32p
MPN1000-12	500	26000	0.1	0.02	6.5	80	100	Beam Lead
MPN1002-12	500	20000	0.1	0.03	5.5	80	100	Beam Lead
MPN1003-12	500	18000	0.1	0.035	5.0	80	100	Beam Lead
MPN1005-12	500	18000	0.1	0.048	5.0	80	100	Beam Lead
MPN1100-12	500	22000	0.1	0.025	6.0	50	50	Beam Lead
MPN1103-12	500	17000	0.1	0.06	4.0	50	50	Beam Lead
MPN3001 S	—	2000	—	0.25	1	—	200	A15
MPN3002 S	—	2000	—	0.25	1	—	300	A15
MPN4165 S	—	2000	—	0.3	1.5	—	100	A15
MPN7302 S	500	12000	1	0.08	1.2	8	20	C11
MPN7302-0805	500	10000	1	0.14	1.2	8	20	0805-2
MPN7302-E28 / 28X	500	10000	1	0.16	1.2	8	20	E28 / 28X
MPN7302-H20 S	500	6000	1	0.26	1.2	8	20	H20
MPN7306 S	100	12000	1	0.08	1.2	50	70	C12
MPN7306-0805	100	10000	1	0.14	1.2	50	70	0805-2
MPN7306-E28 / 28X	100	10000	1	0.16	1.2	50	70	E28 / 28X
MPN7306-H20 S	100	6000	1	0.26	1.2	50	70	H20
MPN73120 S	5	6000	1	0.3	0.5	4	700	C32
MPN7312A S	20	12000	1	0.08	1.2	150	120	C12
MPN7312A-0805	20	10000	1	0.14	1.2	150	120	0805-2
MPN7312A-E28 / 28X	20	10000	1	0.16	1.2	150	120	E28 / 28X
MPN7312A-H20 S	20	6000	1	0.26	1.2	150	120	H20
MPN7312B S	20	12000	1	0.18	0.8	250	120	C12
MPN7312B-0805	20	10000	1	0.24	0.8	250	120	0805-2
MPN7312B-E28 / 28X	20	10000	1	0.26	0.8	250	120	E28 / 28X
MPN7312B-H20 S	20	6000	1	0.36	0.8	250	120	H20
MPN7315 S	10	12000	1	0.08	1.2	180	150	C12
MPN7315-0805	10	10000	1	0.14	1.2	180	150	0805-2
MPN7315-E28 / 28X	10	10000	1	0.16	1.2	180	150	E28 / 28X
MPN7315-H20 S	10	6000	1	0.26	1.2	180	150	H20
MPN7320 S	5	12000	1	0.02	3	120	150	C01
MPN7320-0805-2	5	10000	1	0.08	3	120	150	0805-2

Note: Part numbers are RoHS compliant **S** indicates these parts are also available with Space and Hi-Rel Screening & Qualification. Detailed specifications can be found quickly on our website at macom.com by typing the part number into the search box. All specifications are subject to change.

PIN Switch and Attenuator Diodes (continued)

Part Number	Min Freq (MHz)	Max Freq (MHz)	CW Power Dissipation (W)	Total Capacitance (pF)	Resistance (Ω)	TI (ns)	Breakdown Voltage Min (V)	Package
MPN7320-E28 / 28X	5	10000	1	0.1	3	120	150	E28 / 28X
MPN7320-H20 S	5	6000	1	0.2	3	120	150	H20
MPN7345 S	5	6000	4	0.3	0.3	500	300	C40
MPN7360 S	1	6000	10	0.8	0.2	2500	600	C37
MPN7370 S	1	6000	10	2	0.2	5000	700	C39
MPN7380 S	1	6000	10	0.4	0.3	2500	800	C38
MPN7420 S	1	6000	2.5	0.06	1	1000	400	C12
MPN7453A S	1	6000	3	0.1	0.7	700	300	C22
MPN7453B S	1	6000	3	0.15	0.6	2500	400	C22
MPN7453C S	1	6000	3	0.18	0.4	1000	300	C22
MPND4005-0402	100	12000	0.25	0.07	5.5	125	100	0402
MPND4005-B16	100	20000	0.25	0.018	5.5	125	100	B16
SMPN7316-SOD323	50	2000	0.75	0.25	0.6	200	100	SOD323
SMPN7316-SOT23	50	1500	0.75	0.25	0.6	200	100	SOT23
SMPN7335-SOD323	5	1200	0.75	0.3	1.5	500	200	SOD323
SMPN7335-SOT23	5	1000	0.75	0.3	1.5	500	200	SOT23

PIN Limiter Diodes

Part Number	Incident Power, Max (W)	Thermal Resistance	Junction Capacitance (pF)	Resistance (Ω)	Lifetime (ns)	Vb (V)	Package
MADL-011021-14150T	2.5	100	0.4	1.5	10	—	1.5 x 1.2 mm TDFN-6
MADL-011008	30	150	0.3	1.5	15	—	1.2 x 1.5 mm PDFN-6
MLP7100 S	50	100	0.2	1.5	5	20-45	Die/Various
MLP7130 S	50	120	0.12	2	5	15-30	Die/Various
MLP7130-0805-2	50	120	0.12	2	5	15-30	Die/Various
MLP7140 S	50	100	0.12	2	7	30-40	Die/Various
MADL-000011-13880G S	80	175	0.18	2.1	10	—	ODS-13880G Die
MA4L011-31 S	80	175	0.36	2.1	10	—	ODS-31
MA4L011-137	80	175	0.32	2.1	10	—	ODS-137
MA4L011-1088	80	175	0.3	2.1	10	—	ODS-1088
MA4L011-186 S	80	175	0.33	2.1	10	—	ODS-186
MA4L011-134 S	80	175	0.18	2.1	10	—	ODS-134 Die
MA4L011-1056 S	80	175	0.38	2.1	10	—	ODS-1056
MA4L011-30 S	80	175	0.36	2.1	10	—	ODS-30
MA4L011-32 S	80	175	0.48	2.1	10	—	ODS-32
MADL-011021-14210G S	90	175	0.2	2.1	10	—	ODS-1056
MADL-011009-01340W S	90	175	0.23	1.5	10	—	ODS-134
MADL-000021-003000 S	90	175	0.38	21	10	—	ODS-30
MA4L022-120 S	90	175	0.32	2	10	—	ODS-120
MA4L022-137	90	175	0.33	2	10	—	ODS-137
MA4L022-1056 S	90	175	0.39	2	10	—	ODS-1056
MA4L022-30 S	90	175	0.37	2	10	—	ODS-30
MA4L022-186 S	90	175	0.34	2	10	—	ODS-186
MA4L021-134 S	90	175	0.2	2.1	10	—	ODS-134 Die
MA4L022-134 S	90	175	0.19	2	10	—	ODS-134 Die
MADL-04L401-0113W0 S	—	25	0.3	1.2	800	—	ODS-134 Die
MADL-000301-0113W0 S	—	30	0.2	1.5	200	—	ODS-134 Die
MADL-04L062-0113W0 S	—	150	0.15	2.5	10	—	ODS-134 Die

PIN Limiter Diodes (continued)

Part Number	Incident Power, Max (W)	Thermal Resistance	Junction Capacitance (pF)	Resistance (Ω)	Lifetime (ns)	Vb (V)	Package
MA4L021-120 S	90	175	0.33	2.1	10	—	ODS-120
MA4L021-1056 S	90	175	0.4	2.1	10	—	ODS-1056
MA4L021-31 S	90	175	0.38	2.1	10	—	ODS-31
MA4L022-32 S	90	175	0.49	2	10	—	ODS-32
MADL-011023-14150T	100	175	0.2	1.3	10	—	1.5 x 1.2 mm TDFN-6
MLP7101 S	100	80	0.5	1.2	10	20-45	Die/Various
MLP7102 S	100	55	0.7	1	10	20-45	Die/Various
MLP7131 S	100	80	0.2	1.5	5	15-30	Die/Various
MLP7141 S	100	70	0.2	1.5	7	30-60	Die/Various
MADL-011010-01340W S	125	150	0.24	1.5	15	—	ODS-134
MADL-000031-13880G S	125	150	0.21	2.1	20	—	ODS-1388
MA4L032-186 S	125	150	0.35	2.5	15	—	ODS-186
MA4L031-31 S	125	150	0.39	2	20	—	ODS-31
MA4L031-186 S	125	150	0.36	2	20	—	ODS-186
MA4L031-134 S	125	150	0.21	2	20	—	ODS-134 Die
MA4L032-1056 S	125	150	0.4	2.5	15	—	ODS-1056
MA4L032-134 S	125	150	0.2	2.5	15	—	ODS-134 Die
MA4L031-1056 S	125	150	0.41	2	20	—	ODS-1056
MA4L032-31 S	125	150	0.38	2.5	15	—	ODS-31
MA4L032-32 S	125	150	0.5	2.5	15	—	ODS-32
MADL-000032-003000 S	125	150	0.21	2.1	20	—	ODS-3000
MADL-011011-01340W S	200	150	0.17	2.3	10	—	ODS-134
MADL-000062-13880G S	200	150	0.15	2.5	10	—	ODS-13880G Die
MADL-000062-105600 S	200	150	0.35	2.5	10	—	ODS-1056
MA4L062-134 S	200	150	0.15	2.5	10	—	ODS-134 Die
MLP7110 S	200	80	0.2	1.5	10	45-75	Die/Various
MADL-000101-13880G S	250	30	0.15	2	90	—	ODS-13880G Die
MA4L101-134 S	250	30	0.15	2	90	—	ODS-134 Die
MA4L101-186 S	250	30	0.3	2	90	—	ODS-186
MA4L101-30 S	250	30	0.33	2	90	—	ODS-30
MLP7111 S	400	60	0.5	1.2	15	45-75	Die/Various
MADL-000301-01340W S	500	30	0.2	1.5	200	—	ODS-134 Die
MA4L301-1056 S	500	30	0.4	1.5	200	—	ODS-1056
MA4L301-31 S	500	30	0.38	1.5	200	—	ODS-31
MADL-000301-13870G S	500	30	0.2	1.5	200	—	ODS-1370
MADL-011052-14280W S	500	36	0.19	2	222	—	ODS-134 Die
MLP7112 S	795	40	0.7	1	20	45-75	Die/Various
MA4L401-1056 S	1000	25	0.5	1.2	800	—	ODS-1056
MA4L401-31 S	1000	25	0.48	1.2	800	—	ODS-31
MA4L401-134 S	1000	25	0.3	1.2	800	—	ODS-134 Die
MA4L401-30 S	1000	25	0.48	1.2	800	—	ODS-30
MA4L401-120 S	1000	25	0.43	1.2	800	—	ODS-32
MADL-000401-13870G S	1000	25	0.3	1.2	800	—	ODS-13870G Die
MLP7120 S	1000	40	0.2	1.5	50	120-180	Die/Various
MLP7120-2012	1000	45	0.2	1.5	50	120-180	2012
MLP7121 S	2000	20	0.6	1	50	120-180	Die/Various
MLP7122 S	4000	15	0.8	0.5	100	120-180	Die/Various

Note: Part numbers are RoHS compliant **S** indicates these parts are also available with Space and Hi-Rel Screening & Qualification. Detailed specifications can be found quickly on our website at macom.com by typing the part number into the search box. All specifications are subject to change.

Schottky Mixer and Detector Diodes

Part Number	Min Frequency (MHz)	Max Frequency (MHz)	Total Capacitance (pF)	Dynamic Resistance (Ω)	Vf (mV)	Vb (V)	Package
MA4E932A-186 S	DC	18	—	0.25	—	1	ODS-186
MA4E932B-186 S	DC	18	—	0.25	—	1	ODS-186
MA4E929B-119 S	DC	18	—	0.25	—	1	ODS-119
MA4E929A-119 S	DC	18	—	0.25	—	15	ODS-119
MADS-002811-00540T S	DC	3000	1.2	—	—	70	ODS-55
1N5711 S	DC	3000	1.2	2	—	70	ODS-54
MA4E2812-54 S	DC	3000	1.2	—	—	20	ODS-57
MA4E2811 S	DC	3000	1.2	—	—	15	ODS-56
MA40261 S	DC	3000	—	0.32	—	70	ODS-186
MADS-005711-0054MT S	DC	3000	1.2	2	—	20	ODS-54
MA4E1338B1-1146T	DC	4000	1	—	—	20	SC70 (3L)/SOT-323
MA4E1339A1-1141T	DC	4000	1.2	—	—	70	SOD323 (2L)
MADS-001340-12790T	DC	4000	1	—	—	1.5	SC-79
MA4E2200D1-287T	DC	4000	0.15	—	—	1.5	SOT23
MADS-003000-1292LT	DC	4000	7	0.5	—	8	ODS-1292
MA4E1338A1-1141T	DC	4000	1	1	—	8	SOD323 (2L)
MA4E1340A1-287T	DC	4000	1	—	—	70	SOT23
MADS-003000-1292HT	DC	4000	0.5	6	—	1.5	ODS-1292
MA4E2200A1-1141T	DC	4000	0.15	0.25	—	70	SOD323 (2L)
MA4E1340B1-1146T	DC	4000	1	—	—	20	SC70 (3L)/SOT-323
MADS-001339-12790T	DC	4000	1.2	—	—	8	SC-79
MADS-001338-12790T	DC	4000	1	—	—	3	SC-79
MA4E20541-1279T	DC	4000	17	0.3	—	3	SC-79
MADS-002200-12790T	DC	4000	0.25	—	—	1.5	SC-79
MA4E2200B1-287T	DC	4000	0.15	0.25	—	3	SOT23
MA4E2054B1-1146T	DC	4000	17	0.3	—	3	SC70 (3L)/SOT-323
MA4E1339B1-287T	DC	4000	1.2	—	—	3	SOT23
MA4E2054A1-287T	DC	4000	0.3	17	—	3	SOT23
MA4E20541-1141T	DC	4000	0.3	17	—	3	SOD323 (2L)
MA4E1338A1-287T	DC	4000	1	—	—	70	SOT23
MA4E1340A1-1141T	DC	4000	1	—	—	3	SOD323 (2L)
MA4E2054D1-287T	DC	4000	0.3	17	—	3	SOT23
MA4E2054B1-287T	DC	4000	0.3	17	—	3	SOT23
MA4E1338A1-1146T	DC	4000	1	—	—	70	SOT-323
MA4E1338B1-287T	DC	4000	1	—	—	8	SOT23
MA4E1339A1-1146T	DC	4000	1.2	—	—	20	SC70 (3L)/SOT-323
MA4E1339A1-287T	DC	4000	1.2	—	—	20	SOT23
MA4E1339B1-1146T	DC	4000	1.2	—	—	70	SC70 (3L)/SOT-323
MA4E1340A1-1146T	DC	4000	1	—	—	70	SC70 (3L)/SOT-323
MA4E1340B1-287T	DC	4000	1	—	—	3	SOT23
MADS-011010-1415	DC	6000	0.34	7	—	3	1.5 x 1.2mm TDFN-6
MA40205-119 S	DC	10000	—	0.32	—	3	ODS-119
MA4E931Z2-1261A S	DC	10000	—	—	—	3	DIE
MA4E2054L-1261 S	DC	10000	0.15	17	—	3	ODS-1261
MA40201-119 S	DC	10000	0.32	—	—	—	ODS-119
MA40143-213	DC	10000	0.32	—	—	—	ODS-213
MA40215-276	DC	10000	0.32	—	—	—	ODS-276
MA40208-276	DC	10000	0.32	—	—	—	ODS-276

Note: Part numbers are RoHS compliant **S** indicates these parts are also available with Space and Hi-Rel Screening & Qualification. Detailed specifications can be found quickly on our website at macom.com by typing the part number into the search box. All specifications are subject to change.

Schottky Mixer and Detector Diodes (continued)

Part Number	Min Frequency (MHz)	Max Frequency (MHz)	Total Capacitance (pF)	Dynamic Resistance (Ω)	Vf (mV)	Vb (V)	Package
MA40147-213	DC	10000	0.32	—	—	—	ODS-213
MA40264 S	DC	10000	0.32	—	—	3	ODS-186
MADS-011010-1419	DC	10000	0.15	7	—	3	ODS-1419
MA40215-120 S	DC	16000	0.32	—	—	5	ODS-1200
MADS-011030-14280W S	DC	16000	0.33	6.5	100	3.5	Die
MADS-002545-1307MG	DC	18000	0.11	10	—	5	ODS-1307
MADS-002545-1307LG	DC	18000	0.11	11	—	5	ODS-1307
MADS-002545-1307HG	DC	18000	0.11	10	—	5	ODS-1307
SMS202	DC	18000	0.20	80	—	1	0503
MADS-002502-1246HP	DC	26000	0.12	11	—	3	ODS-1246
MADS-002502-1246LP	DC	26000	0.12	16	—	3	ODS-1246
MADS-002502-1246MP	DC	26000	0.12	12	—	3	ODS-1246
MA4E2513L-1289 S	DC	26000	0.12	10	—	3	ODS-1289
MA4E2508H-1112 S	DC	26000	0.24	6	—	5	ODS-1112
MA4E2501L-1290 S	DC	26000	0.12	10	—	5	ODS-1290
MA4E2532M-1113 S	DC	26000	0.16	10	—	5	ODS-1113
MA4E2508M-1112 S	DC	26000	0.24	12	—	5	ODS-1112
MA4E2514L-1116 S	DC	26000	0.12	16	—	3	ODS-1116
MA4E2508L-1112 S	DC	26000	16	0.24	—	5	ODS-1112
MA4E2514M-1116 S	DC	26000	0.12	12	—	3	ODS-1116
MA4E2502H-1246 S	DC	26000	0.12	11	—	3	ODS-1246
MA4E2502M-1246 S	DC	26000	0.12	12	—	3	ODS-1246
MA4E2502L-1246 S	DC	26000	0.12	16	—	3	ODS-1246
MADS-002501-1290LP	DC	26000	0.12	10	—	—	ODS-1290
SMGS11	DC	26500	0.13	13	—	4.5	0503
SMGS21	DC	26500	0.13	13	—	4.5	0503
SMS201	DC	26500	0.10	80	—	1	0503
MA4E2039 S	DC	60000	0.05	4	—	4.5	Beam Lead
MA4E2040 S	DC	60000	0.05	4	—	4.5	Beam Lead
MA4E2037 S	DC	60000	0.05	4	—	4.5	Beam Lead
MADS-001317-1500AG	DC	80000	0.05	4	—	4.5	ODS-1500
MADS-001317-1500AP	DC	80000	0.05	4	—	7	ODS-1500
MA4E2160	DC	80000	0.05	4	—	7	ODS-1262
MA4E1318	DC	80000	0.09	4	—	4.5	ODS-1197
MA4E1317	DC	80000	0.05	4	—	4.5	ODS-1278
MA4E1319-1	DC	80000	0.05	4	—	4.5	ODS-1199
MA4E1319-2	DC	80000	0.05	4	—	4.5	ODS-1200
MADS-001318-1197HP	DC	80000	0.09	4	—	7	Tape and Reel
MA4E1310	DC	110000	0.04	7	—	7	ODS-1278
IN5819	—	—	—	110	—	30	DO-7
MGR700 S	DC	1000	1.2	—	—	8	Die/Various
MGR701 S	DC	1000	1	—	—	8	Die/Various
MGR702 S	DC	1000	1.2	—	—	20	Die/Various
MGR703 S	DC	1000	1	—	—	20	Die/Various
MGR704 S	DC	1000	2	—	—	70	Die/Various
MGR705 S	DC	1000	1.2	—	—	70	Die/Various
MGS802	DC	60000	0.1	7	—	—	Flip Chip
MGS802A	DC	60000	0.15	5	—	—	Flip Chip

Note: Part numbers are RoHS compliant **S** indicates these parts are also available with Space and Hi-Rel Screening & Qualification. Detailed specifications can be found quickly on our website at macom.com by typing the part number into the search box. All specifications are subject to change.

Schottky Mixer and Detector Diodes (continued)

Part Number	Min Frequency (MHz)	Max Frequency (MHz)	Total Capacitance (pF)	Dynamic Resistance (Ω)	Vf (mV)	Vb (V)	Package
MGS803	DC	60000	0.06	7	—	5	Flip Chip
MGS901 S	DC	60000	0.06	7	—	5	Beam Lead
MGS902 S	DC	60000	0.1	7	—	—	Beam Lead
MGS903 S	DC	60000	0.06	7	—	5	Beam Lead
MGS904 S	DC	60000	0.06	7	—	—	B85
MGS904A S	DC	60000	0.08	5	—	—	B85
MGS905 S	DC	60000	0.06	7	—	5	B86
MGS906 S	DC	60000	0.04	14	—	10	B90
MGS907 S	DC	60000	0.04	14	—	—	B85
MGS907A S	DC	60000	0.06	12	—	—	B85
MGS907B S	DC	60000	0.08	10	—	—	B85
MGS908 S	DC	60000	0.04	14	—	10	B86
MGS909 S	DC	60000	0.1	21	—	15	B90
MGS910 S	DC	60000	0.1	21	—	—	B87
MGS911 S	DC	60000	0.1	21	—	15	B88
MGS912 S	DC	60000	0.03	28	—	20	B89
MSS20-046-0805	DC	20000	0.20	80	—	0.8	0805-2
MSS20-046-C15 S	DC	18000	0.1	80	—	0.8	C15P
MSS20-046-E25	DC	18000	0.20	80	—	0.8	E25
MSS20-046-H27 S	DC	18000	0.25	80	—	0.8	H27
MSS20-046-T86 S	DC	12000	0.31	80	—	0.8	T86p
MSS20-047-0805	DC	20000	0.20	80	—	0.8	0805-2
MSS20-047-C15 S	DC	18000	0.1	80	—	0.8	C15P
MSS20-047-E25	DC	18000	0.20	80	—	0.8	E25
MSS20-047-H27 S	DC	18000	0.25	80	—	0.8	H27
MSS20-047-T86 S	DC	12000	0.31	80	—	0.8	T86p
MSS20-050-0805	DC	18000	0.25	80	—	0.8	0805-2
MSS20-050-C15 S	DC	12000	0.15	80	—	0.8	C15P
MSS20-050-E25	DC	12000	0.25	80	—	0.8	E25
MSS20-050-H27 S	DC	12000	0.30	80	—	0.8	H27
MSS20-050-T86 S	DC	12000	0.36	80	—	0.8	T86p
MSS20-051-0805	DC	18000	0.25	80	—	0.8	0805-2
MSS20-051-C15 S	DC	12000	0.15	80	—	0.8	C15P
MSS20-051-E25	DC	12000	0.25	80	—	0.8	E25
MSS20-051-H27 S	DC	12000	0.30	80	—	0.8	H27
MSS20-051-T86 S	DC	12000	0.36	80	—	0.8	T86p
MSS20-054-0805 S	DC	12000	0.30	80	—	0.8	0805-2
MSS20-054-C15 S	DC	8000	0.2	80	—	0.8	C15P
MSS20-054-E25	DC	8000	0.30	80	—	0.8	E25
MSS20-054-H27 S	DC	8000	0.35	80	—	0.8	H27
MSS20-054-T86 S	DC	8000	0.41	80	—	0.8	T86p
MSS20-055-0805	DC	12000	0.30	80	—	0.8	0805-2
MSS20-055-C15 S	DC	8000	0.2	80	—	0.8	C15P
MSS20-055-E25	DC	8000	0.30	80	—	0.8	E25
MSS20-055-H27 S	DC	8000	0.35	80	—	0.8	H27
MSS20-055-T86 S	DC	8000	0.41	80	—	0.8	T86p
MSS20-140-0402	DC	26000	0.15	80	—	0.8	0402
MSS20-140-B10D S	DC	40000	0.08	80	—	0.8	B10D

Note: Part numbers are RoHS compliant **S** indicates these parts are also available with Space and Hi-Rel Screening & Qualification. Detailed specifications can be found quickly on our website at macom.com by typing the part number into the search box. All specifications are subject to change.

Schottky Mixer and Detector Diodes (continued)

Part Number	Min Frequency (MHz)	Max Frequency (MHz)	Total Capacitance (pF)	Dynamic Resistance (Ω)	Vf (mV)	Vb (V)	Package
MSS20-141-0402	DC	40000	0.08	80	—	0.8	0402
MSS20-141-B10D S	DC	40000	0.08	80	—	0.8	B10D
MSS20-142-0402 S	DC	40000	0.1	80	—	0.8	0402
MSS20-142-B10D S	DC	40000	0.1	80	—	0.8	B10D
MSS20-143-0402	DC	40000	0.1	80	—	0.8	0402
MSS20-143-B10D S	DC	40000	0.1	80	—	0.8	B10D
MSS20-145-0402	DC	40000	0.12	80	—	0.8	0402
MSS20-145-B10D S	DC	40000	0.12	80	—	0.8	B10D
MSS20-146-0402	DC	40000	0.12	80	—	0.8	0402
MSS20-146-B10D S	DC	40000	0.12	80	—	0.8	B10D
MSS25-047-C15c S	DC	40000	0.1	65	—	3	C15c
MSS25-049-C15c S	DC	40000	0.12	52	—	3	C15c
MSS25-141-B10D S	DC	40000	0.08	65	—	3	B10D
MSS25-143-B10D S	DC	40000	0.1	60	—	3	B10D
MSS25-145-B10D S	DC	40000	0.12	52	—	3	B10D
MSS30 PCR46-B47 S	DC	18000	0.13	22	—	2	B47
MSS30 PCR53-B47 S	DC	18000	0.25	15	—	2	B47
MSS30-046-C15 S	DC	18000	0.12	18	—	2	C15
MSS30-046-P55 S	DC	18000	0.30	18	—	2	P55
MSS30-046-P86 S	DC	18000	0.33	18	—	2	P86
MSS30-050-C15 S	DC	18000	0.18	15	—	2	C15
MSS30-050-P55 S	DC	18000	0.35	15	—	2	P55
MSS30-050-P86 S	DC	18000	0.38	15	—	2	P86
MSS30-142-B10B S	DC	18000	0.1	22	—	2	B10B
MSS30-142-E25	DC	18000	0.26	22	—	2	E25
MSS30-142-H20 S	DC	18000	0.31	22	—	2	H20
MSS30-148-B10B S	DC	18000	0.15	15	—	2	B10B
MSS30-148-E25	DC	18000	0.31	15	—	2	E25
MSS30-148-H20 S	DC	18000	0.36	15	—	2	H20
MSS30-154-B10B S	DC	18000	0.25	12	—	2	B10B
MSS30-154-E25	DC	18000	0.41	12	—	2	E25
MSS30-154-H20 S	DC	18000	0.46	12	—	2	H20
MSS30-242-B20 S	DC	18000	0.1	22	—	2	B20
MSS30-242-E35	DC	18000	0.21	22	—	2	E35
MSS30-242-H30 S	DC	18000	0.31	22	—	2	H30
MSS30-248-B20 S	DC	18000	0.15	15	—	2	B20
MSS30-248-E35	DC	18000	0.25	15	—	2	E35
MSS30-248-H30 S	DC	18000	0.36	15	—	2	H30
MSS30-254-B20 S	DC	18000	0.25	12	—	2	B20
MSS30-254-E35	DC	18000	0.35	12	—	2	E35
MSS30-254-H30 S	DC	18000	0.46	12	—	2	H30
MSS30-346-B21 S	DC	18000	0.3	16	—	2	B21
MSS30-346-E25	DC	18000	0.40	16	—	2	E25
MSS30-346-H20 S	DC	18000	0.50	16	—	2	H20
MSS30-442-B41 S	DC	18000	0.10	22	—	4	B41
MSS30-442-B42 S	DC	18000	0.1	22	—	2	B42
MSS30-442-E45	DC	18000	0.1	22	—	2	E45
MSS30-442-H40 S	DC	18000	0.1	22	—	2	H40
MSS30-448-B41 S	DC	18000	0.15	15	—	2	B41

Note: Part numbers are RoHS compliant **S** indicates these parts are also available with Space and Hi-Rel Screening & Qualification. Detailed specifications can be found quickly on our website at macom.com by typing the part number into the search box. All specifications are subject to change.

Schottky Mixer and Detector Diodes (continued)

Part Number	Min Frequency (MHz)	Max Frequency (MHz)	Total Capacitance (pF)	Dynamic Resistance (Ω)	Vf (mV)	Vb (V)	Package
MSS30-448-B42 S	DC	18000	0.15	15	—	2	B42
MSS30-448-E45	DC	18000	0.26	15	—	2	E45
MSS30-448-H40 S	DC	18000	0.35	15	—	2	H40
MSS30-454-B40 S	DC	18000	0.25	12	—	2	B40
MSS30-454-E45	DC	18000	0.35	12	—	2	E45
MSS30-454-H40 S	DC	18000	0.46	12	—	2	H40
MSS30-B46-B45 S	DC	18000	0.125	25	—	2	B45
MSS30-B46-E45	DC	18000	0.25	25	—	2	E45
MSS30-B46-H40 S	DC	18000	0.35	25	—	2	H40
MSS30-B53-B45 S	DC	18000	0.25	15	—	2	B45
MSS30-B53-E45	DC	18000	0.35	15	—	2	E45
MSS30-B53-H40 S	DC	18000	0.46	15	—	2	H40
MSS30-CR46-B49	DC	18000	0.125	22	—	2	B49
MSS30-CR46-E45	DC	18000	0.22	22	—	2	E45
MSS30-CR46-H40 S	DC	18000	0.33	22	—	2	H40
MSS30-CR53-B49 S	DC	18000	0.25	15	—	2	B49
MSS30-CR53-E45	DC	18000	0.35	15	—	2	E45
MSS30-CR53-H40	DC	18000	0.45	15	—	2	H40
MSS30-PCB46-B48 S	DC	18000	0.12	20	—	2	B48
MSS39-045-C15 S	DC	18000	0.1	—	—	5	C15p
MSS39-045-P55	DC	18000	0.26	—	—	5	P55p
MSS39-045-P86 S	DC	18000	0.27	—	—	5	P86p
MSS39-048-C15	DC	12000	0.15	—	—	5	C15p
MSS39-048-P55 S	DC	12000	0.30	—	—	5	P55p
MSS39-048-P86 S	DC	12000	0.32	—	—	5	P86p
MSS39-144-0402	DC	18000	0.16	—	—	3.5	0402
MSS39-144-0805	DC	18000	0.17	—	—	3.5	0805-2
MSS39-144-B10B S	DC	40000	0.08	—	—	3.5	B10Bp
MSS39-144-H27 S	DC	18000	0.24	—	—	3.5	H27
MSS39-146-0402	DC	18000	0.18	—	—	3.5	0402
MSS39-146-0805	DC	18000	0.20	—	—	3.5	0805-2
MSS39-146-B10B S	DC	26000	0.1	—	—	3.5	B10Bp
MSS39-146-H27 S	DC	18000	0.25	—	—	3.5	H27
MSS39-148-0402	DC	18000	0.20	—	—	3.5	0402
MSS39-148-0805	DC	18000	0.22	—	—	3.5	0805-2
MSS39-148-B10B S	DC	18000	0.12	—	—	3.5	B10Bp
MSS39-148-E25	DC	18000	0.22	—	—	3.5	E25
MSS39-148-H20 S	DC	12000	0.33	—	—	3.5	H20
MSS39-152-0402	DC	18000	0.25	—	—	3.5	0402
MSS39-152-0805	DC	18000	0.27	—	—	3.5	0805-2
MSS39-152-B10B S	DC	12000	0.18	—	—	3.5	B10Bp
MSS39-152-E25	DC	12000	0.28	—	—	3.5	E25
MSS39-152-H20 S	DC	18000	0.36	—	—	3.5	H20
MSS40-045-C15 S	DC	18000	0.12	15	—	3	C15
MSS40-045-P55 S	DC	18000	0.28	15	—	3	P55
MSS40-045-P86 S	DC	18000	0.30	15	—	3	P86
MSS40-048-C15 S	DC	18000	0.15	15	—	3	C15
MSS40-048-P55	DC	18000	0.30	15	—	3	P55

Note: Part numbers are RoHS compliant **S** indicates these parts are also available with Space and Hi-Rel Screening & Qualification. Detailed specifications can be found quickly on our website at macom.com by typing the part number into the search box. All specifications are subject to change.

Schottky Mixer and Detector Diodes (continued)

Part Number	Min Frequency (MHz)	Max Frequency (MHz)	Total Capacitance (pF)	Dynamic Resistance (Ω)	Vf (mV)	Vb (V)	Package
MSS40-048-P86 S	DC	18000	0.33	15	—	3	P86
MSS40-141-0402	DC	18000	0.18	18	—	3	0402
MSS40-141-B10B S	DC	18000	0.1	22	—	3	B10B
MSS40-141-E25	DC	18000	0.22	18	—	3	E25
MSS40-141-H20 S	DC	18000	0.30	18	—	3	H20
MSS40-148-0402	DC	18000	0.24	15	—	3	0402
MSS40-148-B10B S	DC	18000	0.15	17	—	3	B10B
MSS40-148-E25	DC	18000	0.28	15	—	3	E25
MSS40-148-H20	DC	18000	0.36	15	—	3	H20
MSS40-155-0402 S	DC	18000	0.38	14	—	3	0402
MSS40-155-B10B	DC	18000	0.3	13	—	3	B10B
MSS40-155-E25	DC	18000	0.41	14	—	3	E25
MSS40-155-H20 S	DC	18000	0.51	14	—	3	H20
MSS40-244-0805	DC	18000	0.36	28	—	3	0805-4
MSS40-244-B20 S	DC	18000	0.12	22	—	3	B20
MSS40-244-E35	DC	18000	0.24	28	—	3	E35
MSS40-248-0805	DC	18000	0.25	18	—	3	0805-4
MSS40-248-B20 S	DC	18000	0.15	17	—	3	B20
MSS40-248-E35	DC	18000	0.28	18	—	3	E35
MSS40-255-0805	DC	18000	0.3	15	—	3	0805-4
MSS40-255-B20 S	DC	18000	0.3	15	—	3	B20
MSS40-255-E35	DC	18000	0.41	14	—	3	E35
MSS40-448-B42 S	DC	18000	0.15	17	—	3	B42
MSS40-448-E45	DC	18000	0.25	15	—	3	E45
MSS40-448-H40 S	DC	18000	0.36	15	—	3	H40
MSS40-455-B40 S	DC	18000	0.3	17	—	3	B40
MSS40-455-E45	DC	18000	0.40	14	—	3	E45
MSS40-455-H40 S	DC	18000	0.32	14	—	3	H40
MSS40-B46-B45 S	DC	18000	0.13	25	—	3	B45
MSS40-B46-E45	DC	18000	0.24	25	—	3	E45
MSS40-B53-B45 S	DC	18000	0.25	15	—	3	B45
MSS40-B53-E45	DC	18000	0.36	15	—	3	E45
MSS40-CR46-B49 S	DC	18000	0.125	22	—	3	B49
MSS40-CR46-E45	DC	18000	0.23	15	—	3	E45
MSS40-CR46-H40 S	DC	18000	0.35	15	—	3	H40
MSS40-CR53-B49	DC	18000	0.25	15	—	3	B49
MSS40-CR53-E45	DC	18000	0.35	15	—	3	E45
MSS40-CR53-H40 S	DC	18000	0.46	15	—	3	H40
MSS40-PCB46-B48 S	DC	18000	0.12	20	—	3	B48
MSS40-PCR46-B47 S	DC	18000	0.13	22	—	3	B47
MSS40-PCR53-B47 S	DC	18000	0.25	15	—	3	B47
MSS50-046-C26	DC	18000	0.12	20	—	4	C26
MSS50-046-P55 S	DC	18000	0.28	20	—	4	P55
MSS50-046-P86	DC	18000	0.30	20	—	4	P86
MSS50-048-C15	DC	18000	0.15	15	—	4	C15
MSS50-048-P86 S	DC	18000	0.33	15	—	4	P86
MSS50-062-C16 S	DC	18000	0.55	12	—	4	C16
MSS50-062-P55 S	DC	18000	0.75	12	—	4	P55

Note: Part numbers are RoHS compliant **S** indicates these parts are also available with Space and Hi-Rel Screening & Qualification. Detailed specifications can be found quickly on our website at macom.com by typing the part number into the search box. All specifications are subject to change.

Schottky Mixer and Detector Diodes (continued)

Part Number	Min Frequency (MHz)	Max Frequency (MHz)	Total Capacitance (pF)	Dynamic Resistance (Ω)	Vf (mV)	Vb (V)	Package
MSS50-062-P86 S	DC	18000	0.78	12	—	4	P86
MSS50-146-0402	DC	18000	0.20	18	—	4	0402
MSS50-146-0805	DC	18000	0.22	18	—	4	0805-2
MSS50-146-B10B S	DC	18000	0.12	18	—	4	B10B
MSS50-146-E25	DC	18000	0.24	18	—	4	E25
MSS50-146-H20 S	DC	18000	0.34	18	—	4	H20
MSS50-155-0402	DC	18000	0.38	15	—	4	0402
MSS50-155-0805	DC	18000	0.40	15	—	4	0805-2Å
MSS50-155-B10B S	DC	18000	0.3	15	—	4	B10B
MSS50-155-E25	DC	18000	0.41	15	—	4	E25
MSS50-155-H20 S	DC	18000	0.51	15	—	4	H20
MSS50-244-0805	DC	18000	0.44	16	—	4	0805-4
MSS50-244-B20	DC	18000	0.2	16	—	4	B20
MSS50-244-E35	DC	18000	0.31	16	—	4	E35
MSS50-244-H30	DC	18000	0.42	16	—	4	H30
MSS50-341-B21 S	DC	18000	0.26	16	—	4	B21
MSS50-341-E25	DC	18000	0.36	16	—	4	E25
MSS50-341-H20	DC	18000	0.48	16	—	4	H20
MSS50-448-0805	DC	18000	0.35	10	—	4	0805-4
MSS50-448-B40 S	DC	18000	0.25	14	—	4	B40
MSS50-448-E45 S	DC	18000	0.36	10	—	4	E45
MSS50-448-H40 S	DC	18000	0.48	10	—	4	H40
MSS50-B46-B45 S	DC	18000	0.13	20	—	4	B45
MSS50-B46-E45	DC	18000	0.25	20	—	4	E45
MSS50-B46-H40 S	DC	18000	0.35	20	—	4	H40
MSS50-B53-B45 S	DC	18000	0.25	15	—	4	B45
MSS50-B53-E45 S	DC	18000	0.36	15	—	4	E45
MSS50-B53-H40 S	DC	18000	0.48	15	—	4	H40
MSS50-CR46-B49 S	DC	18000	0.125	22	—	4	B49
MSS50-CR46-E45	DC	18000	0.25	22	—	4	E45
MSS50-CR46-H40 S	DC	18000	0.36	22	—	4	H40
MSS50-CR53-B49 S	DC	18000	0.25	15	—	4	B49
MSS50-CR53-E45	DC	18000	0.36	15	—	4	E45
MSS50-CR53-H40 S	DC	18000	0.46	15	—	4	H40
MSS50-PCB46-B48 S	DC	18000	0.12	20	—	4	B48
MSS50-PCR46-B47 S	DC	18000	0.13	22	—	4	B47
MSS50-PCR53-B48 S	DC	18000	0.25	15	—	4	B47
MZB600-19-6	DC	8000	0.2	3500	—	3	CS19-6
MZB600-32 S	DC	8000	0.2	3500	—	3	CS32
MZB600-B11	DC	8000	0.2	3500	—	3	B11
MZB600-C15P	DC	8000	0.2	3500	—	3	C15P
MZB604-B11 S	DC	8000	0.2	5000	—	4	B11
MZB604-C15P	DC	8000	0.2	5000	—	4	C15P
MZB604-I1 S	DC	8000	0.2	5000	—	4	CS11
MZB604-19-1	DC	8000	0.2	5000	—	4	CS19-1
MZB604-32 S	DC	8000	0.2	5000	—	4	CS32
SMSCQ1200-SOT143	DC	3000	0.4	15	270	2	SOT-143
SMSCQ1500-SOT143	DC	3000	0.65	8	270	2	SOT-143

Note: Part numbers are RoHS compliant **S** indicates these parts are also available with Space and Hi-Rel Screening & Qualification. Detailed specifications can be found quickly on our website at macom.com by typing the part number into the search box. All specifications are subject to change.

Schottky Mixer and Detector Diodes (continued)

Part Number	Min Frequency (MHz)	Max Frequency (MHz)	Total Capacitance (pF)	Dynamic Resistance (Ω)	Vf (mV)	Vb (V)	Package
SMSCQ2500-SOT143	DC	3000	0.65	10	400	2	SOT-143
SMSCQ4500-SOT143	DC	3000	0.65	8	600	3	SOT-143
SMSCQ5500-SOT143	DC	3000	0.55	16	1100	3	SOT-143
SMSD3004-SOD323	DC	3000	0.6	10	270	2	SOD-323
SMSD3012-SOD323	DC	3000	0.25	15	270	2	SOD-323
SMSD4004-SOD323	DC	3000	0.6	10	350	2	SOD-323
SMSD4012-SOD323	DC	3000	0.25	15	350	2	SOD-323
SMSD6004-SOD323	DC	3000	0.6	10	600	2	SOD-323
SMSD6012-SOD323	DC	3000	0.25	15	630	2	SOD-323
SMSP3004-SOT143	DC	3000	0.65	10	270	2	SOT-143
SMSP3012-SOT143	DC	3000	0.4	15	270	2	SOT-143
SMSRQ1200-SOT143	DC	3000	0.4	15	270	2	SOT-143
SMSRQ4500-SOT143	DC	3000	0.65	8	600	3	SOT-143
SMST3004-SOT23	DC	3000	0.6	10	270	2	SOT-23
SMST3012-SOT23	DC	3000	0.25	15	270	2	SOT-23
SMST4004-SOT23	DC	3000	0.6	10	350	2	SOT-23
SMST4012-SOT23	DC	3000	0.25	15	350	2	SOT-23
SMST6004-SOT23	DC	3000	0.6	10	600	2	SOT-23
SMST6012-SOT23	DC	3000	0.25	15	630	2	SOT-23
MA4E2532L-1113	DC	1800	0.1	16	440	5	ODS-1113
MNM200 S	DC	2600	0.14	20	0.4	3	Die/Various
MNM201 S	DC	2600	0.2	20	0.4	3	Die/Various
MNM202 S	DC	2600	0.12	20	0.4	3	Die/Various
MNM203 S	DC	2600	0.14	20	0.4	3	Die/Various
MNM204 S	DC	2600	0.15	20	0.425	4	Die/Various
MNM205	DC	2600	0.15	20	0.425	4	Die/Various
MNM206 S	DC	2600	0.12	20	0.425	4	Die/Various
MNM207 S	DC	2600	0.14	20	0.425	4	Die/Various
MNM208	DC	2600	0.14	20	0.45	4	Die/Various
MNM210 S	DC	2600	0.14	20	0.45	5	Die/Various
MNM211	DC	2600	0.25	20	0.45	5	Die/Various
MNM212 S	DC	2600	0.21	20	0.475	5	Die/Various
MNM213 S	DC	2600	0.15	20	0.475	5	Die/Various
MNM214	DC	2600	0.12	20	0.475	5	Die/Various
MNM215	DC	2600	0.15	20	0.475	5	Die/Various

THz Schottky Barrier Diodes

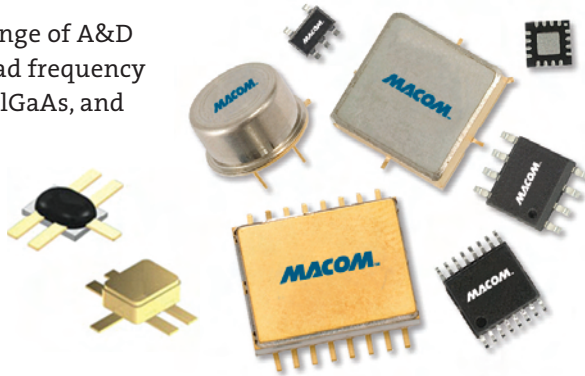
Part Number	Cutoff Frequency (THz)	Total Capacitance (pF)	Resistance (Ω)	Configuration (mV)
MADZ-011001	.27	40	3.4	Single
MADZ-011002	1	49	3.5	Single
MADZ-011003	1	49	3.5	Anti parallel
MADZ-011004	1	49	3.5	Reverse tee
MADZ-011005	1	49	3.5	Unconnected anti-parallel pair

Note: Part numbers are RoHS compliant **S** indicates these parts are also available with Space and Hi-Rel Screening & Qualification. Detailed specifications can be found quickly on our website at macom.com by typing the part number into the search box. All specifications are subject to change.

MACOM Control Products

For a wide range of A&D and commercial applications

MACOM offers control products for a wide range of A&D and commercial applications, covering a broad frequency spectrum from DC to 70 GHz, using Silicon, AlGaAs, and GaAs based technologies.



Power Detectors

- > Broadband devices with integrated low loss directional couplers and built-in temperature compensation circuits
- > Lead-free plastic surface mount packages
- > For power monitoring and leveling in point-to-point radios, IMS, radar, VSAT, EW, A&D systems

Digital Phase Shifters

- > 4-Bit and 6-Bit with either serial or parallel control inputs
- > For military or weather radar, transmit/ receive modules, and EW
- > Convenient surface mount PQFN with 360° coverage, fast switching speed, and low phase error

Voltage Variable Attenuators

- > Automotive and wireless markets
- > Ideal for cellular infrastructure, handset gain control, radar systems, satellite radios, and test equipment

Digital Attenuators

- > Used in a variety of applications for automotive and wireless markets,
- > Typical applications include: CATV infrastructure, cellular infrastructure, handset gain control, radar systems, satellite radios, and test equipment including 75 Ohm versions for CATV

Limiters

- > Thin-film hybrid manufacturing for the highest levels of performance, repeatability, reliability, and cost-effectiveness

CMOS Switch Drivers

- > For wireless infrastructure base stations and A&D applications including: cordless and mobile phones, satellite radio, GPS and DAB, 2.4 GHz and 5.0 GHz WLAN, VSAT, CATV and broadband, commercial and military radar, and multi-market applications

Switches

- > Frequency spectrum from DC to 70 GHz
- > (HMIC™) PIN diodes: high power and broadband from 50 MHz to 26 GHz
- > AlGaAs PIN diode: upper frequency ranges for instrumentation and radar
- > GaAs pHEMT and MESFET for fast switching and low control voltage for narrow band and broadband
- > 75 Ohm absorptive switches for CATV, FTTx and DBS infrastructure, and CPE applications

Phase Detectors

- > SRD reference frequency multiplier, coupling capacitors and a Schottky diode microwave sampler/phase detector in a 0.075" by 0.100" hybrid
- > Used to phase lock microwave oscillators up to 22 GHz to a much lower reference frequency



Limiters

Part Number	Min Freq RF/LO (MHz)	Max Freq RF/LO (MHz)	Insertion Loss (dB)	Ave. Power (W)	Peak Power (W)	Leakage (mW)	Recovery Time (µs)	Package
MADL-011012	300	1000	0.2	360	55.6	100	3	SMT Hermetic
2690-1001 ♦	1000	2000	0.7	1	100	75	100	Coax
2690-1003 ♦	1000	2000	0.9	3	1000	100	1000	Coax
MADL-011014	1000	2000	0.35	200	320	100	3.5	SMT Hermetic
2690-1005 ♦	2000	8000	1.1	1	100	50	100	Coax
2690-1007 ♦	2000	8000	1.3	3	1000	100	1000	Coax
2690-1014 ♦	2000	18000	2.3	2	500	75	250	Coax
2690-1015 ♦	2000	18000	2.3	3	1000	100	1000	Coax
2690-1009 ♦	8000	18000	1.8	1	100	50	100	Coax
2690-1011 ♦	8000	18000	2.3	3	1000	100	1000	Coax
LM202602-H-A-300	2000	6000	0.85	100	100	63	0.1	Surface Mt
LM202802-Q-B-301	2000	8000	1.1	100	125	126	5	Surface Mt
LM202802-Q-C-301	2000	8000	1.1	100	125	126	5	Surface Mt
LM202802-L-C-300	2000	8000	1	4	100	79	75	Surface Mt

Power Detectors

Part Number	Min Freq (MHz)	Max Freq (MHz)	Insertion Loss (dB)	Sensitivity (dBm)	Directivity (dB)	Max Power (dBm)	Package
MADT-011000-DIE	5000	44000	—	—	—	15	Die
MACP-010571	2000	6000	0.2	-15	15	30	1.5 x 1.2 mm TDFN-6
MACP-010572	6000	18000	0.25	-18	16	30	1.5 x 1.2 mm TDFN-6
MACP-010573	10000	30000	0.5	-17	14	30	1.5 x 1.2 mm TDFN-7
MADT-011000	5000	44000	—	—	—	15	3 mm QFN

Digital Phase Shifters

Part Number	Min Freq (MHz)	Max Freq (MHz)	Insertion Loss (dB)	Bit Count	LSB (°)	IIP3 (dBm)	RMS Phase (dBm)	Package
MAPS-010163-DIE	1400	2400	3.8	6-Bit	5.6	40	3	Die
MAPS-010164-DIE	2300	3800	3.6	6-Bit	5.6	45	3	Die
MAPS-010165-DIE	3500	6000	4.9	6-Bit	5.6	40	4	Die
MAPS-011007	1200	1400	3.8	6-Bit	5.6	48	2	4 mm PQFN-24
MAPS-010143	1400	2400	3.2	4-Bit	22.5	40	2	4 mm PQFN-24
MAPS-010163	1400	2400	5	6-Bit	5.6	40	3	4 mm PQFN-24
MAPS-010144	2300	3800	2.5	4-Bit	22.5	47	2.2	4 mm PQFN-24
MAPS-010164	2300	3800	3.2	6-Bit	5.6	45	3	4 mm PQFN-24
MAPS-010145	3500	6000	5	4-Bit	22.5	45	3	4 mm PQFN-24
MAPS-010165	3500	6000	5.5	6-Bit	5.6	40	4	4 mm PQFN-24
MAPS-011008	5000	6000	4	6-Bit	5.6	48	2	4 mm PQFN-24
MAPS-010146	8000	12000	6.5	4-Bit	22.5	40	5	4 mm PQFN-24
MAPS-010166	8000	12000	6.5	6-Bit	5.6	40	5	4 mm PQFN-24

Note: Part numbers are RoHS compliant ♦ indicates non-RoHS compliant
 Detailed specifications can be found quickly on our website at macom.com by typing the part number into the search box.
 All specifications are subject to change.

Digital Attenuators

Part Number	Min Freq (MHz)	Max Freq (MHz)	Bit Count	Attenuator Range (dB)	LSB (dB)	Insertion Loss (dB)	IIP3 (dBm)	Package
MAAD-011035-DIE	100	30000	5	31	1	4	43	Die
MAAD-011036-DIE	100	30000	6	31.5	0.5	4.2	43	Die
MAAD-011021-DIE	0	40000	6	31.5	0.5	6	38	Die
MAAD-011038-DIE	80000	100000	3	7	1	5	38	Die
MAAD-008866	50	1000	6	31.5	0.5	1.4	40	4 mm PQFN-24
MAAD-010305	50	1100	1	15	15	0.3	50	SOT-25
MAADSS0009	0	2000	4	30	3	1.6	50	SOIC-16
MAATSS0015	0	2000	4	15	1	2	50	SOIC-16
AT-357-SMA	0	2000	5	31	1	6.5	47	C-46
MAATSS0021	50	2000	5	15.5	0.5	1.5	45	SOIC-16
AT-232-PIN	0	2000	4	30	2	2.5	50	CR-6
AT-283-PIN	5	2000	5	15.5	0.5	2.2	47	CR-12
AT-233-PIN	5	2000	4	30	2	1.9	50	CR-12
AT-273-PIN	5	2000	2	32	16	1.3	48	CR-11
AT-263-PIN	5	2000	5	31	1	2.1	48	CR-12
MAATSS0016	500	2000	4	30	2	2.2	47	TSSOP-16
MAATSS0018	100	2000	1	10	10	0.4	50	SOT-25
MAATSS0022	500	2500	5	15.5	0.5	1.8	46	MSOP-10
MAATSS0017	400	2500	5	15.5	0.5	2	47	QSOP-16
MAAD-009195-000100	50	3000	5	15.5	0.5	5.3	40	CR-12
MAAD-009194-000100	50	3000	5	31	1	5.3	41	CR-12
AT-213-PIN	5	3000	4	15	1	1.6	50	CR-11
MAAD-009260-000100	50	3000	2	32	16	2.7	42	CR-12
MAAD-008790-000100	0	4000	5	31	1	5.5	37	CSP-1
MAAD-009170-000100	50	4000	5	15.5	0.5	5.2	40	CSP-1
MAATSS0019	500	4000	4	15	1	1.3	47	TSSOP-16
MAADCC0006	50	4000	4	15	1	2.5	48	CSP-1
MAAD-000523	700	6000	6	31.5	0.5	1.9	52	4 mm PQFN-24
MAADSS0012	800	8000	1	21	—	0.6	41	2 mm PQFN-8
MAAD-011021	0	30000	6	31.5	0.5	6	38	3 mm PQFN-16
MAAD-011035	100	30000	5	31	1	4.8	42	4 mm PQFN-24
MAAD-011036	100	30000	6	31.5	0.5	4.8	41	4 mm PQFN-24

CMOS Switch Drivers

Part Number	Type	Rise Time/Fall Time (ns)	Vcc (V)	Vee (-V)	Icc (mA)	Package
MADR-009151-000DIE	Single	300	5	-5	1	Die
MADR-010269-DIE	Hex FET	8/4.5	3.3	-5	1	Die
MADR-009150	PIN	30	3.3	—	.05	3 mm PQFN-16
MADR-011007	FET	6	—	-5	—	6 mm PQFN-48
MADR-009269-000100	Single, PIN	300	5	5	1	SOIC-8
MADR-009190-000100	Quad	300	5	-5	1	SOIC-16
MADR-009443-000100	Quad	500	5	-5	20	4 mm PQFN-20
MADR-008888-000100	PIN	250	5	28	51	LGA-23
MADRCC0005	Single	25	5	-5	1	SO-8
MADRCC0004	Quad	25	5	-5	—	SO-16
MADR-007097-000100	Single	2	5	-5	1	SOIC-8
MADRCC0006	Single	500	5	-5	—	SO-8
MADRCC0007	Quad	500	5	-5	—	SOIC16
SMLG1	PIN	30000	15	15	—	SMT

CMOS Switch Drivers

Part Number	Type	Rise Time/Fall Time (ns)	Vcc (V)	Vee (-V)	Icc (mA)	Package
MADRCC0002 ◆	Dual	5000	20	—	—	CSP-9
MADR-010574	PIN	2	3	—	170	7 mm PQFN-16
MADR-007131-000100	Dual Linearizer	—	5	—	1	CSP-9
MADR-010410	TR Module	6	3	3	—	5 mm PQFN-40

Voltage Variable Attenuators

Part Number	Min Freq (MHz)	Max Freq (MHz)	Insertion Loss (dB)	Attenuator Range (dB)	Input IP3 (dBm)	Voltage (Volts)	Current (mA)	Package
MAATCC0013	824	960	—	25	—	—	—	SOT-25
MAAV-007088-000100	50	1000	2.8	42	34	—	—	SOW-16
MA4VAT900-1277T	800	1000	1	24	40	—	—	3 mm PQFN-16
MA4VAT904-1061T	800	1000	1	24	49	—	—	SOIC-8
MA4VAT907-1061T	800	1000	1	24	49	—	—	SOIC-8
MAAV-007092-000100	800	1000	3.6	34	40	—	30	6 mm PQFN-28
MAAV-008022	500	2000	2.7	40	32	+5	0.05	SOIC-8
MAAV-007941	0	2000	3.2	12	36	-4	0.02	SOIC-8
SMG2	5	2000	—	23	—	—	—	SMT
MAAM-007987-000CG2	5	2000	—	23	—	—	—	SMA
MA4VAT2004-1061T	1700	2000	1.4	24	49	—	—	SOIC-8
MAAVSS0008	500	2000	2.8	30	28	+5	0.3	SOIC-8
MA4VAT2007-1061T	1700	2000	1.4	23	52	—	—	SOIC-8
CG30	100	2000	—	44	—	—	—	SMA
G2	5	2000	2.6	28	—	+5	15	TO-8
SMG1	5	2000	—	30	—	—	—	SMT0-8
SMG30	100	2000	—	44	—	—	—	SMT0-8
G1*	5	2000	2.5	25	—	+15	15	TO-8, SMT, SMA
G30	100	2000	—	44	—	—	—	TO-8
MAAV-007090-000100	1700	2000	3.5	35	31	—	—	SOW-16
MA4VAT2000-1277T	1700	2200	1.2	24	21	—	—	3 mm PQFN-16
MAAVSS0001	1800	2500	2.4	42	32	+2.25	0.05	SOT-25
MAAVSS0006	0	2500	3.6	25	36	-3	0.025	SOT-25
MADP-007167-12250T	5	3000	2.8	36	50	—	—	SOT-25
MA4P7455-1225T	10	4000	1	29	43	—	—	SOT-25
CG40	500	4000	—	32	—	—	—	SMA
SMG40	500	4000	—	25	—	—	—	SMT
G40	500	4000	2.5	32	—	+15	12	TO-8
MAAV-011013	5000	45000	1.5	30	42	—	—	3 mm PQFN-16
MAAT-010521	5000	45000	2	40	30	-2	—	3 mm PQFN-16
MAAT-010521-L2	5800	12000	2	30	29	—	—	3 mm PQFN-16
MAAT-010521-L1	5800	16000	2	30	29	—	—	3 mm PQFN-16
MAAT-010521-HI	17600	40000	2	30	29	—	—	3 mm PQFN-16
MAAV-011014	80000	100000	3	25	40	—	—	Die
LG1**	—	—	—	—	—	—	—	TO-8
CLG1	—	—	—	—	—	—	—	SMA

**LG1 Linearizer is compatible with the G1 Attenuator. Yields linear attenuation (dB) for linear control voltage. Available in TO-8, SMT, SMA

Note: Part numbers are RoHS compliant ◆ indicates non-RoHS compliant
Detailed specifications can be found quickly on our website at macom.com by typing the part number into the search box.
All specifications are subject to change.

Switches

Part Number	Min Freq (MHz)	Max Freq (MHz)	Insertion Loss (dB)	Isolation (dB)	Input IP3 (dBm)	Package
SPST						
MASW-001150-1316 S	45	2500	0.3	65	40	Die
MASW6020G	100	6000	0.9	45	46	Die
MA4SW110 S	50	26500	0.6	48	40	HMIC Die
MA4AGSW1A S	50	50000	1.2	48	—	Die
MA4AGSW1 S	50	50000	0.2	43	—	Die
MASW-008177	5	1000	0.6	53	52	3 mm PQFN-12
MASWSS0162	50	2500	1	48	46	SOIC-8
SW-209-PIN	0	3000	1.5	27	40	CR-2,CR10
SW05-0311	0	3000		40	46	CR-9
MASWSS0148	300	4000	1.6	51	49	3 mm PQFN-12
SW-231-PIN	5	4000	2	22	46	FP-16
SPDT						
MASW2000	0	3000	0.4	45	53	Die
MASW4030G	50	4000	0.6	53	46	Die
MASW-008206-000DIE	2400	5800	0.7	30	54	Die
MASW6010G	200	6000	0.6	45	46	Die
MASW6010	0	6000	0.5	52	46	Die
MASW-010647 S	8000	10500	0.8	37	60	Die
MASW-011021 S	6000	14000	0.7	34	60	SURMOUNT™ Die
MASW-002102-13580 S	2	18000	1.8	55	40	Die
MASW-011108-DIE S	6000	18000	0.6	44	—	Die
MASW20000	50	20000	1.4	58	43	Die
MASW-002103-1363 S	50	20000	0.8	38	40	SURMOUNT™ Die
MA4SW210B-1 S	2000	26000	1.2	48	40	Die
MASW-011052 S	2000	26000	0.8	50	43	Die
MASW-011107-DIE	DC	26500	1.3	46	45	Die
MA4SW210 S	50	26500	0.6	52	40	HMIC Die
MASW-002100-1191 S	50	26500	0.3	65	40	Die
MASW-011128-DIE	50	26500	1.7	50	42	Die
MASW-011144-DIE S	20000	40000	65	30	—	Die
MASW-011068 • Reflective S	20000	40000	0.7	28	55	Die
MASW-010646 S	26000	40000	0.6	39	60	Die
MASW-011036 S	26000	40000	0.7	40	60	Die
MA4AGSW2 S	50	50000	0.6	46	—	Die
MASW-011111 S	80000	100000	0.8	25	—	Die
MASWSS0103	5	1000	0.8	71	47	4 mm PQFN-20
MA8334-004	20	1000	0.4	25	—	844-004
MA8334-001	20	1000	0.4	25	80	844-001
MASWSS0161	500	2000	0.6	30	55	SOIC-8
MASWSS0179	50	2000	0.5	28	52	SOT-26
MASWSS0201	0	2500	1	45	44	3 mm PQFN-12
MASWSS0180	50	2500	0.7	38	46	SOIC-8
MASWSS0157	50	2500	0.7	35	45	SOIC-8

• Not yet released

Note: Part numbers are RoHS compliant **S** indicates these parts are also available with Space and Hi-Rel Screening & Qualification. Detailed specifications can be found quickly on our website at macom.com by typing the part number into the search box. All specifications are subject to change.

Switches (continued)

Part Number	Min Freq (MHz)	Max Freq (MHz)	Insertion Loss (dB)	Isolation (dB)	Input IP3 (dBm)	Package
SPDT (continued)						
MASW-007221	500	3000	0.4	22	52	SC-70 (SOT-363)
MASW-008899	500	3000	0.3	24	48	SC-70 (SOT-363)
MASW-007075-000100	0	3000	1.8	36	46	SOW-24
MASWSS0166	900	3000	0.4	21	55	SC-70 (SOT-363)
MASWSS0151	0	3000	0.6	32	55	SC-70 (SOT-363)
MASW-007072-000100	0	3000	0.6	30	46	SOIC-16
MASW-007935	0	3000	0.7	34	50	SOT-26
MASWSS0192	50	3000	0.2	24	53	SC-70 (SOT-363)
MASWSS0143	100	3000	0.4	18	58	SOT-26
MASWSS0204	300	3000	0.3	22	56	SC-70 (SOT-363)
SW-313-PIN	50	3000	0.8	52	46	CR-9
MASWSS0181	300	3000	0.5	23	57	SOT-26
MASWSS0136	0	3000	0.4	27	48	SC-70 (SOT-363)
MASWSS0176	50	3000	0.3	23	45	SOT-26
MASWSS0178	10	3000	0.6	57	43	MSOP-8
MASWSS0169	100	3000	0.7	48	50	MSOP-10
MASWSS0167	500	3000	0.4	28	48	1.2 x 1.5 mm PQFN-6
MASWSS0115	50	3000	0.3	24	46	SC-70 (SOT-363)
MASWSS0121	500	3000	0.7	54	46	4 mm PQFN-16
MASW-009101	5	3000	1	65	39	3 mm PQFN-16
MASW-008801	5	3000	0.8	85	47	3 mm PQFN-16
SW-228-PIN	0	4000	0.7	42	46	CR-2
MASW-007071-000100	0	4000	1.8	30	46	4 x 6 mm PQFN
SW-226-PIN	0	4000	1	48	46	CR-2
MASW-000932	10	4000	53	43	72	4 mm PQFN-16
MASW-008543	10	4000	0.7	58	53	MSOP-8
MASW-009588	500	4000	0.4	26	55	1 mm PDFN-6
MASW-010370	1500	4000	0.5	37	—	3 mm PQFN-16
MASW-008853	0	5000	0.2	25	56	SC-70 (SOT-363)
MASW-011043	0	6000	0.6	30	—	2 mm STQFN-12
MASW-011120	30	6000	0.25	44	68	5 mm HQFN-20
MASW-000834-13560T	50	6000	0.2	53	65	4 mm PQFN-16
MASW-000825-12770T	50	6000	0.3	35	64	3 mm PQFN-16
MASW-007588	1000	6000	0.9	28	55	3 mm PQFN-12
MASW-000822-12770T	50	6000	0.2	32	60	3 mm PQFN-16
MASWSS0202	1000	6000	0.6	29	52	3 mm PQFN-12
MASWSS0093	50	6000	0.8	28	55	3 mm PQFN-12
MASW-009444	200	6000	0	28	54	1 mm PDFN-6
MASW-000936	50	6000	0.2	45	72	4 mm PQFN
MASW-007921	50	7000	0.7	30	58	2 mm PDFN-8
MASW-007107	0	8000	0.5	30	54	2 mm PQFN-8
MASW-011071	8000	10500	1	38	60	7 mm PQFN-44
MASW-008322	500	20000	1	45	48	4 mm PQFN-24
MASW-011057 • Reflective	13000	20000	0.8	42	55	4 mm QFN-20
MASW-011102	0	30000	1.8	40	45	3 mm PQFN-14
MASW-011105	17700	31000	1.6	30	43	3 mm PQFN-14
MASW-011098	26000	40000	1.17	38	—	5 mm 20-LD laminate

• Not yet released

Switches (continued)

Part Number	Min Freq (MHz)	Max Freq (MHz)	Insertion Loss (dB)	Isolation (dB)	Input IP3 (dBm)	Package
SP3T						
MASW-011053 S	2000	18000	0.8	50	48	Die
MASW-003102-13590 S	2000	18000	0.8	50	40	Die
MASW-003103-1364 S	50	20000	0.8	40	40	SURMOUNT™ Die
MA4SW310B-1 S	2000	26000	1.2	47	40	Die
MA4SW310 S	50	26500	0.8	48	40	Die
MASW-003100-1192 S	50	26500	0.3	65	40	Die
MA4AGSW3 S	50	50000	0.6	48	—	Die
MASW-011029 S	75000	100000	1.3	33	—	Die
MASW-011074 • Asymmetrical	100	1000	0.45	57	60	12 mm WHQFN-28
MASW-011041	50	1500	0.3	51	73	9 mm HQFN-20
MASWSS0200	500	2500	0.6	24	61	3 mm PQFN-12
MASWSS0199	0	2500	0.5	30	58	3 mm PQFN-12
MASW-011030	50	2500	0.4	27	77	7 mm HQFN-16
MASW-007074-000100	0	3000	2	32	45	SOW-24
MASWSS0144	500	3000	0.6	24	55	3 mm PQFN-12
MASW-008955	0	3000	0.5	22	54	2 mm PDFN-8
MASW-008330	500	3000	0.3	24	50	2 mm PQFN-8
MASWSS0191	500	3000	0.6	30	58	2 mm VTDFN-8
MASW-010612	0	3500	0.6	21	54	1.5 mm PDFN-8
MASW-009482	50	4000	0.7	23	65	2 mm STQFN-12
SP4T						
MA4AGSW4 S	50	50000	0.8	42	40	Die
MA4SW410B-1 S	2000	18000	0.8	48	40	Die
MA4SW410 S	50	26500	0.7	48	40	Die
MASW4060G	0	4000	1.3	50	46	Die
MASW-004102-12760 S	2	18000	1.5	50	40	Die
MASW-004103-1365 S	50	20000	0.8	50	63	SURMOUNT™ Die
MASW-004100-1193 S	50	26500	0.3	65	40	Die
MASW-004240-13170 S	10	24000	2.5	50	—	Die
MASW-011087 S	27000	30000	0.85	50	55	Die
MASW-011075 • Asymmetrical	100	1000	0.45	57	60	12 mm WHQFN-28
MASW-011040	50	1500	0.3	51	73	9 mm HQFN-20
MASWCC0010	0	4000	2.3	38	40	CSP-2
MASWCC0009	3	3000	1.4	42	46	QSOP24
MASW-007813-000000	500	3000	0.8	27	58	3 mm PQFN-16
MASW-008566	50	3000	0.7	26	57	4 mm PQFN-16

• Not yet released

Note: Part numbers are RoHS compliant **S** indicates these parts are also available with Space and Hi-Rel Screening & Qualification. Detailed specifications can be found quickly on our website at macom.com by typing the part number into the search box. All specifications are subject to change.

Switches (continued)

Part Number	Min Freq (MHz)	Max Freq (MHz)	Insertion Loss (dB)	Isolation (dB)	Input IP3 (dBm)	Package
SP5T						
MA4SW510B-1 S	2000	18000	0.9	40	40	Die
MASW-005102-13600 S	2000	18000	0.9	40	40	Die
MA4SW510 S	50	26500	0.9	38	40	Die
MASW-005100-1194 S	50	26500	0.9	38	40	Die
MASW-006102-13610 S	50	26500	0.3	65	40	Die
MA4AGSW5 S	50	50000	1.1	47	40	Die
MASW-010351	10	4000	1.4	57	50	4 mm PQFN-24
SP6T						
MA4SW610B-1 S	2000	18000	1.3	45	40	Die
MASW-006102-13610 S	50	26500	1.3	45	40	Die
MASWCC0006	0	4000	2.1	25	40	CSP-2
SP8T						
MA4AGSW8-1 S	50	50000	1.5	37	40	Die
DPDT						
MASW2040	0	2000	0.4	20	46	Die
MASW6030G	0	6000	0.6	40	45	Die
MASWSS0184	200	4000	0.7	35	58	3 mm PQFN-12LD
MASW-007587-000000	200	4000	0.7	38	59	3 mm PQFN-12LD
MASWSS0190	2000	6000	0.8	43	50	2 mm UTQFN-8LD
MASWSS0130	500	3000	0.7	27	55	3 mm PQFN-12LD
MASW-009460	500	3000	0.6	19	52	3 mm PQFN-12LD

Phase Detectors

Part Number	SRD VBR Min (V)	SRD CJ Typ (pF)	SRD TL Typ (ns)	SRD TT Max (ps)	Cap CT Typ (pF)	SD CJ Typ (pF)	SD VF Typ	SD RD Typ (mV)	FMW Typ (GHz)	Package
MSPD1000-E50/E50SM	15	1	35	95	20	0.4	270	7	0.5	E50 / E50SM
MSPD1000-H50 S	15	1	35	95	20	0.4	270	7	0.5	H50
MSPD1002-E50/E50SM	15	0.5	20	70	3.5	0.22	270	8	2	E50 / E50SM
MSPD1011-122/121	15	22	10	100	0.5	0.08	300	20	20	CS122 / CS121
MSPD1012-121	15	22	10	100	0.5	0.08	450	20	20	CS121
MSPD1012-122	15	22	10	100	0.5	0.08	450	20	20	CS122
MSPD1012-E50/E50SM	15	0.5	10	70	2.5	0.18	270	9	12	E50 / E50SM
MSPD1012-H50 S	15	0.5	10	70	2.5	0.18	270	9	12	H50
MSPD1013-121	15	22	10	100	0.5	0.08	550	20	20	CS121
MSPD1013-122	15	22	10	100	0.5	0.08	550	20	20	CS122
MSPD2018-E50/E50SM	15	0.35	5	55	0.6	0.1	430	16	22	E50 / E50SM
MSPD2018-H50 S	15	0.35	5	55	0.6	0.1	430	16	22	H50

Note: Part numbers are RoHS compliant **S** indicates these parts are also available with Space and Hi-Rel Screening & Qualification. Detailed specifications can be found quickly on our website at macom.com by typing the part number into the search box. All specifications are subject to change.

MACOM Frequency Conversion Products

Offering a broad range of frequency and performance specifications

MACOM's frequency conversion products include hybrid mixers, mixers, receivers, transceivers, up converters, and frequency multipliers. Our frequency conversion devices are ideal for point-to-point radio, aerospace and defense, and other broadband communications applications. Available as surface mount devices, our reliable products enable easy assembly and integration for real estate constrained customers.



Frequency Multipliers

- > Combining an active doubler with an output buffer amplifier to deliver constant power over a range of input powers
- > Available as bare die or in surface mount lead-free QFN packages

Hybrid Mixers

- > For aerospace and defense, wireless, test and measurement, and broadband communications applications
- > Available in subsets of the frequency range:
 - RF and LO: 50 kHz to 24 GHz
 - IF: DC to 8 GHz
- > Double and triple balanced designs
- > Variety of technologies
 - GaAs pHEMT
 - Si HMIC™
- > Connectorized, flat pack, drop-in, and surface mount packages

Receivers

- > Widely used in point-to-point radio, aerospace and defense, and broadband communications applications
- > Features an integrated LNA, mixer and LO buffer amplifier on a single chip
- > 4500 to 45000 MHz frequency range
- > Excellent noise figure and conversion gain performance
- > Lead-free QFN or SMD packages

Transceivers

- > Monolithic and stereo doppler transceivers for directional motion detection
- > Used in automatic door openers, ground speed recorders and police radar detectors

Up Converters

- > Applications include point-to-point radio and broadband communications
- > Featuring an integrated image reject (balanced) mixer, LO buffer, RF buffer, and LO doubler or variable attenuator on a single chip
- > 5600 to 40000 MHz frequency range
- > Lead-free QFN or SMD packages
- > Excellent variable gain control with adjustable bias, high linearity and image rejection, with low LO leakage

Mixers

- > Constructed using broadband ferrite balun transformers and matched silicon Schottky diodes
- > Ideal for use in CATV head end systems and up converter applications



Frequency Multipliers

Part Number	Min Freq RF (MHz)	Max Freq RF (MHz)	Min Output (MHz)	Max Output (MHz)	Input power (dB)	Multiply Factor	Conversion Loss (dB)	Package
XX1000-BD	7500	25000	15000	50000	0	2	13	Die
XX1007-BD	13500	17000	27000	34000	8	2	12	Die
FM105-PIN ♦	10	750	20	1500	24	2	12	RH-3
FM104-PIN ♦	75	1500	150	3000	24	2	10	FP-3
FM107-PIN ♦	5	2400	10	4800	10	2	11	FP-2
FMS109-PIN ♦	5	2400	10	4800	10	2	11	SF-1
SFD25H	5	2400	10	4800	23	2	12	SMT
SFD25	5	2400	10	4800	10	2	11.5	SMT
CSFD25H ♦	10	2400	20	4800	23	2	12	SMT
CSFD25 ♦	10	2400	20	4800	10	2	11.5	SMT
FD25 ♦	5	2400	10	4800	10	2	11.5	TO-8
FD25C ♦	5	2400	10	4800	10	2	11.5	Conn
FD25H ♦	5	2400	10	4800	23	2	12	TO-8
FD25HC ♦	5	2400	10	4800	23	2	12	Conn
FD25E ♦	5	2400	10	4800	10	2	11.5	Flatpack
SFD26	50	3300	100	6600	10	2	13	SMT
FD26C ♦	50	3300	100	6600	110	2	13	Conn
CSFD26 ♦	50	3300	100	6600	10	2	13.5	SMT
FD26	50	3300	100	6600	10	2	13	TO-8
XX1002-QH	2500	6000	5000	12000	3	2	13	4 mm PQFN-24
FDC2310 ♦	1500	8000	3000	16000	10	2	11	Open Carrier
FDC2710 ♦	3500	8000	7000	16000	10	2	11.2	Open Carrier
FD93C ♦	2000	9000	4000	18000	12	2	12	Conn
FD93 ♦	2000	9000	4000	18000	12	2	12	Versapac
FD93H	2000	9000	4000	18000	19	2	12	Versapac
FD93HC ♦	2000	9000	4000	18000	19	2	12	Conn
FDZ5013 ♦	3000	12000	6000	24000	13	2	12	Versapac
FDZ5013C ♦	3000	12000	6000	24000	13	2	12	Conn
MAFC-004403	8000	12000	16000	24000	0	2	17	4 mm QFN
MAFC-010511	8000	12000	16000	24000	0	—	17	3 mm PQFN-16
XX1010-QT	14625	15000	29250	30000	4.5	2	14	3 mm QFN-16
XX1007-QT	13500	17000	27000	34000	8	2	10	3 mm PQFN-16
XX1000-QT	7500	22500	15000	45000	6	2	12	3 mm QFN-16

Note: Part numbers are RoHS compliant ♦ indicates non-RoHS compliant
 Detailed specifications can be found quickly on our website at macom.com by typing the part number into the search box.
 All specifications are subject to change.

Hybrid Mixers

Part Number	Min Freq RF/LO (MHz)	Max Freq RF/LO (MHz)	Min Freq IF (MHz)	Max Freq IF (MHz)	LO Drive (dB)	Conversion Loss/Gain (dB)	Package
MDS-222-PIN ♦	0.2	200	0.2	200	7	7.5	SF-1
MAC-50-PIN ♦	0.2	200	0	200	7	6	TO-5-2
M6D-50 ♦	0.05	200	0	200	7	7	Relay Can
SM6D	0.05	200	0	200	7	7	SMT
MAC-51-PIN ♦	5	500	0	500	7	7	TO-5-2
MDS-223-PIN ♦	10	500	10	500	7	7	SF-1
MD-161-PIN ♦	1	500	0	500	13	8	FP-2
SM6V	0.4	500	0	500	7	6.5	SMT
M9BC ♦	0.5	500	0	500	17	7	Relay Can
MIH ♦	180	620	0	200	7	7	SMA Relay can
M6EH ♦	5	750	0	500	20	7.5	Relay Can
SM6EH	5	750	0	500	20	7.5	SMT
SM2E	10	1000	0	600	20	8	SMT
M2EC ♦	10	1000	0	600	20	8	SMA
M2E	10	1000	0	600	20	8	TO-8
MD-148-PIN ♦	10	1500	10	1500	10	6	FP-2
MDS-158-PIN ♦	5	1500	—	—	7	9	SF-1
MD-160-PIN ♦	1	1500	1	1000	13	9	RH-3
MDS-148-PIN	10	1500	10	1500	10	6	SF-1
MD-158-PIN ♦	5	1500	—	1000	7	7	FP-2
MD-149-PIN ♦	10	1500	10	1500	7	7.5	FP-2
MDS-149-PIN ♦	10	1500	10	1500	7	6	SF-1
CSM1-17	10	1500	1	500	17	7.5	SMT
M9HC ♦	10	1500	0	600	20	8	SMA
M4A ♦	10	1500	0	1000	7	7.5	Flatpack
SM4A	10	1500	0	1000	7	7.5	SMT
M2AC ♦	10	1500	0	800	7	7.5	SMA
CSM1-13	10	1500	1	500	13	7.5	SMT
SM4B ♦	10	1500	0	1000	13	7.5	SMT
M2BC ♦	10	1600	0	800	13	7.5	SMA
M2B ♦	10	1600	0	800	13	7.5	TO-8
CSM1-10	10	2000	1	500	10	7.5	SMT
M2TC ♦	10	2400	1	1000	13	8	SMA
SM4G ♦	800	2400	0	1500	7	7.5	SMT
CSM2-10	10	2800	10	2000	10	8.5	SMT
CSM2-17	10	2800	10	2000	17	8.5	SMT
CSM2-13	10	2800	10	2000	13	8.5	SMT
MD-123-PIN ♦	10	3000	10	3000	7	8	FP-2
SM4T17	1	3400	1	2000	17	8	SMT
SM4TH	1	3400	1	2000	23	8	SMT
M8T ♦	1	3400	1	2000	10	7	TO-8
M8TC ♦	1	3400	1	2000	10	7	SMA
M8TH ♦	1	3400	1	2000	23	7.5	TO-8
CSM4T17	1	3400	1	2000	17	8	SMT
CSM4TH	1	3400	1	2000	23	8	SMT
SM4T	1	3400	1	2000	10	8	SMT

Hybrid Mixers (continued)

Part Number	Min Freq RF/LO (MHz)	Max Freq RF/LO (MHz)	Min Freq IF (MHz)	Max Freq IF (MHz)	LO Drive (dB)	Conversion Loss/Gain (dB)	Package
M8THC ♦	1	3400	1	2000	23	7.5	SMA
CSM4T	1	3400	1	2000	10	8	SMT
M4TH ♦	1	3400	1	2000	23	8	Flatpack
MDC-169-SMA ♦	1	3500	1	3500	10	10	C-7
MDS-169-PIN ♦	1	3500	5	1500	10	8	SF-1
MD-189-PIN ♦	1	3500	1	3500	23	8	FP-2
MDS-189-PIN ♦	1	3500	1	3500	23	8	SF-1
MD-169-PIN ♦	1	3500	1	3500	10	10	FP-2
M2GC ♦	800	3500	0	1500	7	8	SMA
M2G	800	3500	0	1500	7	8	TO-8
MDC-179-SMA ♦	1	4000	5	1500	7	10.5	C-7
MD-179-PIN ♦	1	4000	5	1500	7	10.5	FP-2
M8H-3 ♦	3700	4200	0	2000	7	5	TO-8
MC2110 ♦	3400	4700	0	1000	10	6.2	Open Carrier
CSM5TH	50	4800	50	3000	23	7	SMT
CSM5T17	50	4800	50	3000	17	7.8	SMT
CSM5T	50	4800	50	3000	10	7.2	SMT
SM5T17	50	5000	50	3000	17	7.5	SMT
SM5TH	50	5000	50	3000	23	7.7	SMT
SM5T	50	5000	50	3000	10	7.5	SMT
MZ6310C ♦	250	5500	0	1500	10	7	SMA
M63C ♦	2500	5500	0	1500	9	5.5	SMA
M8HC-7 ♦	2400	6000	0	2000	7	6	SMA
M8H-7 ♦	2400	6000	0	2000	7	6	TO-8
MDC-162-SMA ♦	1000	7000	10	2000	13	6	C-2
MY63 ♦	2500	7000	0	15000	9	5.8	Versapac
MY63C ♦	2500	7000	0	15000	9	5.8	SMA
M63H ♦	2500	7500	0	1500	20	6	Minpac
MY63H ♦	2500	7500	0	1500	20	6	Versapac
MY63HC ♦	2500	7500	0	1500	20	6	SMA
M63HC ♦	2500	7500	0	1500	20	6	SMA
MC2307 ♦	2200	8000	0	2000	7	7	Open Carrier
MY76H ♦	4500	8500	0	2000	20	7	Versapac
MY76HC ♦	4500	8500	0	2000	20	7	SMA
M76H ♦	4500	8500	0	2000	20	7	Minpac
MY76C ♦	4500	9500	0	2000	10	6	SMA
M76 ♦	4500	9500	0	2000	10	6	Minpac
M76C ♦	4500	9500	0	2000	10	6	SMA
MY76 ♦	4500	9500	0	2000	10	6	Versapac
MC4113 ♦	2000	10000	0	2000	13	7.5	Open Carrier
MC4120 ♦	2000	10000	0	2000	20	7.5	Open Carrier
MC4107 ♦	2000	10000	0	2000	7	7.5	Open Carrier
MY84 ♦	1800	10000	0	1000	9	6.5	Versapac

Hybrid Mixers (continued)

Part Number	Min Freq RF/LO (MHz)	Max Freq RF/LO (MHz)	Min Freq IF (MHz)	Max Freq IF (MHz)	LO Drive (dB)	Conversion Loss/Gain (dB)	Package
MY84C ♦	1800	10000	0	1000	9	6.5	SMA
MY77 ♦	8000	12500	0	2500	10	5.5	Versapac
M77C ♦	8000	12500	0	2500	10	5.5	SMA
MY77C ♦	8000	12500	0	2500	10	5.5	SMA
M14A ♦	6000	14000	0	2000	7	6.5	SMA
MC2710 ♦	10000	15000	0	2000	10	6	Open Carrier
MC2707 ♦	10000	15000	0	2000	7	7	Open Carrier
M67C ♦	9000	15000	0	2500	10	6.5	SMA
MC2720 ♦	10000	15000	0	2000	20	6	Open Carrier
MC3013 ♦	20000	16000	1000	8000	13	8	Open Carrier
MY85C ♦	2000	18000	0	1000	7	8	SMA
MZ7407C ♦	6000	18000	0	3000	7	6.5	SMA
M88H ♦	2000	18000	2000	8000	21	8	Minpac
MZ8810C ♦	2000	18000	1000	8000	10	7.5	SMA
M85 ♦	2000	18000	0	1000	7	8	Minpac
MZ8813 ♦	2000	18000	1000	8000	13	7	Versapac
MY83H ♦	2	18000	30	5000	20	8.5	Versapac
MZ7407 ♦	6000	18000	0	3000	7	6.5	Versapac
M83	1000	18000	30	5000	13	7.5	Minpac
M74 ♦	7000	18000	0	3000	10	6.5	Minpac
MY88HC ♦	1000	18000	1000	8000	21	8	SMA
M93C ♦	2000	18000	30	4000	10	8	SMA
MZ7410 ♦	6000	18000	0	3000	10	6.5	Versapac
MY88C ♦	2000	18000	1000	8000	13	8	SMA
M83C ♦	1000	18000	30	5000	13	7.5	SMA
M89C ♦	1000	18000	1000	8000	10	8	SMA
M79HC ♦	5000	18000	0	3000	20	7.5	SMA
M79H ♦	5000	18000	0	3000	20	7.5	Minpac
MY93C ♦	2000	18000	30	4000	10	8	SMA
MY93 ♦	2000	18000	30	4000	10	8	Versapac
MY89 ♦	2000	18000	2000	8000	10	8	Versapac
M85C ♦	2000	18000	0	1000	7	8	SMA
M88HC ♦	2000	18000	2000	8000	21	8	SMA
MY88	2000	18000	1000	8000	13	8	Versapac
MY89C ♦	2000	18000	2000	8000	10	8	SMA
MZ9310 ♦	2000	18000	30	5000	10	7.5	Versapac
MZ7420C ♦	6000	18000	0	3000	20	7.5	SMA
M79C ♦	5000	18000	0	3000	10	7	SMA
MZ7410C ♦	6000	18000	0	3000	10	6.5	SMA
M88C ♦	2000	18000	1000	8000	13	8	SMA
MY83HC ♦	2	18000	30	5000	20	8.5	SMA
M86C ♦	3500	18000	0	3000	7	7	SMA
MY82 ♦	2000	18000	30	5000	13	7.5	Versapac
M80C ♦	4000	18000	0	3000	7	6.5	SMA
MZ9310 ♦	2000	18000	30	5000	10	7.5	SMA
MY82C ♦	2000	18000	30	5000	13	7.5	SMA

Note: Part numbers are RoHS compliant ♦ indicates non-RoHS compliant
 Detailed specifications can be found quickly on our website at macom.com by typing the part number into the search box.
 All specifications are subject to change.

Hybrid Mixers (continued)

Part Number	Min Freq RF/LO (MHz)	Max Freq RF/LO (MHz)	Min Freq IF (MHz)	Max Freq IF (MHz)	LO Drive (dB)	Conversion Loss/Gain (dB)	Package
M74C ♦	7000	18000	0	3000	10	6.5	SMA
MY85 ♦	2000	18000	0	1000	7	8	Versapac
M50A ♦	2000	18000	2000	18000	10	8	Minpac
MZ7420 ♦	6000	18000	0	3000	20	7.5	Versapac
MZ9313 ♦	2000	18000	30	5000	13	7	Versapac
MZ9313C ♦	2000	18000	30	5000	13	7	SMA
M87C ♦	500	19000	30	5000	13	9	SMA
MY87 ♦	500	19000	30	5000	13	10.5	Versapac
MY87C ♦	500	19000	30	5000	13	10.5	SMA
MC4507 ♦	4000	20000	0	4000	7	7.5	Open Carrier
MC4513 ♦	4000	20000	0	4000	13	7.5	Open Carrier
MC4510 ♦	4000	20000	0	4000	10	7.5	Open Carrier
MY52 ♦	2000	24000	100	5000	10	8	Versapac
MY51 ♦	2000	24000	1000	15000	10	8	Versapac
MY51C ♦	2000	24000	1000	15000	10	8	SMA
MY52C ♦	2000	24000	100	5000	10	8	SMA
M52C ♦	2000	24000	100	5000	10	8	SMA
M51C ♦	2000	24000	1000	15000	10	8	SMA
MY50AC ♦	2000	26000	1000	12000	10	8	SMA
MY50 ♦	2000	26000	1000	15000	10	8	Versapac
MZ5010C ♦	2000	26000	1	15000	10	8.5	SMA
MY50A ♦	2000	26000	1000	12000	10	8	Versapac
M53C ♦	2000	26000	100	6000	10	8	SMA
M50C ♦	2000	26000	1000	15000	10	8	SMA
MZ5010 ♦	2000	26000	1	15000	10	8.5	Versapac
MY50C ♦	2000	26000	1000	15000	10	8	SMA

Receivers/Down Converters

Part Number	Min Freq (MHz)	Max Freq (MHz)	Conversion Gain (dB)	Noise Figure (dBm)	Image Rejection (dBm)	LO Input Power (dBm)	Package
XR1011-QH	45000	10500	13	1.8	20	5	4 mm QFN-24
XR1015-QH	10000	16000	12	2.5	20	5	4 mm QFN-24
XR1019-QH	27500	33400	13	2.5	20	4	4 mm QFN-24
XR1020	32000	36000	14	3	20	4	4 mm QFN-24
XR1008-QB	37000	40000	9	3.5	18	2	7 mm SMT
MADC-011010	37400	40000	13	3.8	25	4	4 mm QFN-24
MADC-010736	40500	43500	12	3.5	20	2	6 mm SMD-13
MADC-011021	71000	86000	12	5	-20	-5	8 mm SMT

Transceivers

Part Number	Description	Op Freq (GHz)	Output Power (mW)	Op Current (mA)	IF Bandwidth	Package
MACS-007801-0MIR10	Mono Transceiver	24.125 +/-25 MHz	8	175	10 Hz to 1 kHz	Die Cast Waveguide
MACS-007802-0MIR10	Stereo Transceiver	24.125 +/-25 MHz	8	175	10 Hz to 1 kHz	Die Cast Waveguide
MACS-007801-0MIRMO	Mono Transceiver	24.125 +/-25 MHz	5	90	10 Hz to 1 kHz	Die Cast Waveguide
MACS-007802-0MIRSO	Stereo Transceiver	24.125 +/-25 MHz	5	90	10 Hz to 1 kHz	Die Cast Waveguide
MACS-007800-0M1R00	Local Oscillator	24.150 +/-25 MHz	5	90	—	Die Cast Waveguide

Up Converters

Part Number	Description	Min Freq (MHz)	Max Freq (MHz)	Gain (dBm)	OIP3 (dBm)	Package
MAUC-010506	Up Converter	17680	23620	14	35	4 mm PQFN-24
MAUC-011003	Up Converter	27500	33400	12	32	4 mm PQFN-24
XU1019-QH	Up Converter	37000	40000	7	27	4 mm PQFN-24
MAMF-011142	Up Converter	71000	86000	30	—	SMT

Mixers

Part Number	Min Freq RF/LO (MHz)	Max Freq RF/LO (MHz)	Min Freq IF (MHz)	Max Freq IF (MHz)	Conversion Loss/Gain (dBm)	LO Drive (dBm)	Package
MAMX-011044-DIE	2500	9000	0	3500	7.5	23	Bare Die
MAMX-0011040-DIE	8000	26000	0	4000	8	—	Bare Die
XM1001-BD	12000	40000	0	4000	8	—	Die
XM1003-BD	32000	42000	0	4000	12	—	Die
MAMX-011036-DIE	8000	43000	0	10000	8	15	Die
MAMX-011043-DIE	15000	45000	0	10000	9	16	Bare Die
MAMX-011037-DIE	18000	46000	0	20000	6.5	—	Die
XM1002-BD	34000	46000	0	4000	9	—	Die
MAMX-011044	2500	9000	0	3500	8.5	18	4 mm QFN-24
MAMX-011035	5500	19000	0	6000	6	15	3 mm AQFN-12
MAMX-011067	5000	20000	0	6000	6	15	3 mm PQFN-12
MAMX-011023	5000	25000	4000	2300	9	-2	1.5 x 1.2 mm TDFN-6
MAMX-011040	8000	26000	0	4000	8	14	4 mm AQFN-24
MAMX-011075	8000	26000	0	4000	9	14	4 mm AQFN-24
MAMX-011009	14000	32000	0	7000	-10	—	1.5 x 1.2 mm TDFN-6
MAMX-011021	5000	35000	0	4500	8	14	1.5 x 1.2 mm TDFN-6
MAMX-011071	8000	36000	0	10000	9.5	—	3 mm PQFN-12
MAMX-011066	5000	37000	0	4500	8	20	1.5 x 1.2 mm TDFN-6
MAMX-011036	8000	43000	0	10000	8.5	—	3 mm AQFN-12
MAMX-011043	15000	45000	0	15000	9	15	4 mm QFN-24
MAMX-011054	18000	46000	0	20000	6.5	—	3 mm AQFN-12
MAMX-011074	18000	46000	0	20000	7	—	3 mm PQFN-12

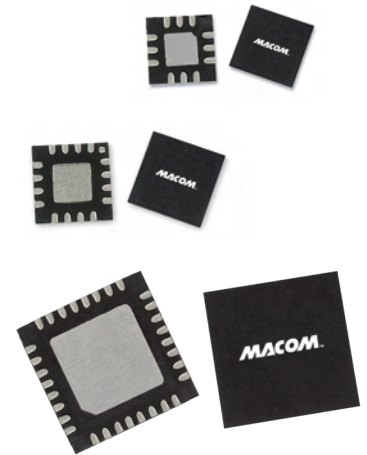
Note: Part numbers are RoHS compliant ◆ indicates non-RoHS compliant
 Detailed specifications can be found quickly on our website at macom.com by typing the part number into the search box.
 All specifications are subject to change.

MACOM Multifunction Modules

Integrating size, weight, power and cost for next generation applications

MACOM's multifunctional modules are designed to provide customers with an affordable, highly integrated unit while delivering reliability and performance.

Applications such as radar and commercial 5G face size constraints and the need for higher frequency necessitates multifunction integration. From MACOM, one can expect an even higher level of integration of RF and microwave chipsets. In the data center and optical transport world, integrated products will provide data conversion and data transport solutions coupled with RF and microwave solutions to provide a very high level of integration that will ultimately drive optimal affordability and reliability.



Core Chips

- > Designed for communication radar and weather applications
- > Ideal for high levels of integration on a single IC
- > Includes "common path" circuit which incorporates a 4-bit digital attenuator, a 6-bit digital phase shifter, and a T/R SPDT switch
- > RoHS compliant

Switch LNAs

- > Multifunction MMIC includes a SPDT switch and LNA with by-pass mode for RDX path
- > Compact surface mount module
- > Ideally suited for base stations and for use on the front end of WLAN 802.11a modules where small size is critical

MoCA Front-end Integrated Circuits

- > Integrated front end GaAsIC for MoCA mid-band RF applications
- > Fully compatible with Entropic Communications chipset
- > Chip includes a power amplifier, T/R switch, power detector, switched attenuators, bias circuits, and digital control circuitry
- > The digital inputs control all circuit operating modes

High Power Switch and Integrated Bias Module

- > High power broadband PIN SPDT switch with 5 V power management chip for 0.7 - 6 GHz TDD-LTE applications
- > Integrated bias controller utilizes a boost circuit
- > Requires only a single 5 V supply
- > Single Tx/Rx control signal is compatible with 1.8 V or 3.3 V logic



Core Chips

Part Number	Min Freq (GHz)	Max Freq (GHz)	Transmit Gain (dB)	Transmit P _{SAT} (dBm)	Receive Gain (dB)	Receive Noise Figure (dBm)	Package
MAMF-011015	8	11	11	23	24	2	7 mm PQFN-16
MAMF-011099*	24	30	22	29	25	3.5	6.5 mm AQFN-40

* In development

Switch LNAs

Part Number	Min Freq (GHz)	Max Freq (GHz)	Rx Gain (dB)	Rx Noise Figure (dB)	Rx OIP3 (dBm)	Tx IPO.1dB CW (dBm)	Bias Voltage (V)	Bias Current (mA)	Package
MAIA-011002	0.4	4	34@2.7 GHz 32@3.5 GHz	1.1@2.7 GHz 1.3@3.5 GHz	36	50	LNA 3 Switch 3/28	Tx: 100 (3 V), 10 (28 V) Rx: 240 (3 V), 0 (28 V)	5 mm HQFN-32
MAIA-011004	0.4	5	34@2.7GHz 32@3.5 GHz	1.1@2.7 GHz 1.3@3.5 GHz	36	50	LNA 3 Switch 3/28	Tx: 100 (3 V), 10 (28 V) Rx: 240 (3 V), 0 (28 V)	5 mm HQFN-32
MAMF-011038	5	6	12	2.2	22	31	3	10	2 mm STQFN-12
MAMF-011069	1.8	3.9	33@2.6 GHz 34@3.5 GHz	1.2@2.6 GHz 1.5@3.5 GHz	32	44	LNA 3 Switch 3/28	LNA: 105; Switch: 20 (per channel)	5 mm PQFN-32
MAMF-011133	2.3	5	32-34 in HG mode 18-20 in LG mode	1.3@3.5 GHz	34	43	5	Rx: 95 HG; 45 LG Tx: 2 (per channel)	6 mm QFN-40
MAMF-011119	1	6	35@2.5 GHz 33.5@4.5 GHz	1.2@2.5 GHz 1.5@4.5 GHz	31	40.5	5	Tx: 1.4; Rx: 78	6 mm QFN-20
MAMF-011126	1	6	35.2@2.5 GHz 34@3.75 GHz 33.5@4.5 GHz	1.2@2.5 GHz 1.3@3.75 GHz 1.4@4.5	30	—	5	78	6 mm QFN-20
MAMF-011138	2	6	35	1.2	35	—	5	115	6 mm QFN-40

MoCA Front-end Integrated Circuits

Part Number	Min Freq (MHz)	Max Freq (MHz)	Tx Gain (dB)	Vdd (V)	Package
XZ1003-QT	775	1525	16.8	3.3	3 mm PQFN-16
XZ1004-QT	475	625	17.5	3.3	3 mm PQFN-16

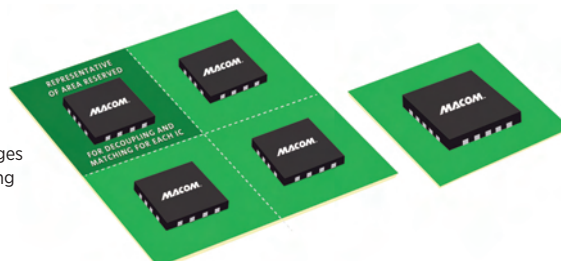
High Power Switch and Integrated Bias Module

Part Number	Min Freq (GHz)	Max Freq (GHz)	Low IL (Tx) (dB)	Low IL (Rx) (dB)	Receive Isolation (dB)	Tx IPO.1dB CW (dBm)	Bias Voltage (V)	Bias Current (Rx) (mA)	Package
MAMF-011070	0.03	6	0.3	0.4	43	51	Single 5 V only	Tx: 140; Rx: 90	5 mm HQFN-20

LNA: Attenuator Module / Linear Amplifiers

Part Number	Description	Min Freq (MHz)	Max Freq (MHz)	Gain (dB)	OIP3 (dBm)	Output P1dB (dBm)	Noise Figure (dB)	Attenuation Range (dB)	Package
MAMF-011078-DIE	LNA-Attenuator MMIC	2000	26000	13	22	10	3	31.5	Die

16 x 16 = 256 mm square
4 ICs in 4 mm x 4 mm packages
2 mm clearance for decoupling



9 x 9 = 81 mm square
(70% reduction in size)
1 multifunction IC in 5 mm x 5 mm package
2 mm clearance for decoupling

MACOM Passive Products

A variety of solutions for A&D and communications

MACOM offers a variety of passive solutions for a wide range of A&D, wireless, and wireline communication applications. Passive components include transformers, capacitors, dividers/combiners, couplers, and filters/diplexers.

Bias Networks

MACOM offers 1800 to 40000 MHz bias networks suitable for DC biasing of PIN diode control circuits.

- > Functions as RF to DC decoupling networks, as well as a DC return
- > Can also be used as bi-directional reactive couplers for Schottky detector circuits in multi-market applications

Couplers

- > Used extensively in a range of A&D, wireless, and wireline communications applications. MACOM offers connectorized and surface mount devices with a broad range of coupling values

Hybrid Couplers

- > Products available in subsets of the 2-3000 MHz frequency range
- > Available as TO-Cans, flatpacks, surface mount, and connectorized

Directional Couplers

- > Coupling values of 6 dB to 30 dB
- > Products available in subsets of the 2 MHz to 18 GHz frequency range
- > 75 Ω products available for CATV, DTV, and DBS applications

Power Dividers/Combiners

- Used in a range of A&D, wireless, and wireline communications applications.
- > 50 ohm and 75 ohm devices
 - > Products available in subsets of 400 kHz to 26 GHz frequency range
 - > 2, 3, 4, 5, 6, and 8 channel versions available

Transformers/ Baluns

MACOM offers many standard transformers used for a variety of wireless, wireline, and A&D communications applications.

- > Standard impedance ratios up to 4:1
- > Balanced/unbalanced versions
- > 50 Ω and 75 Ω nominal impedance devices available
- > Surface mount, flat pack and connectorized packages

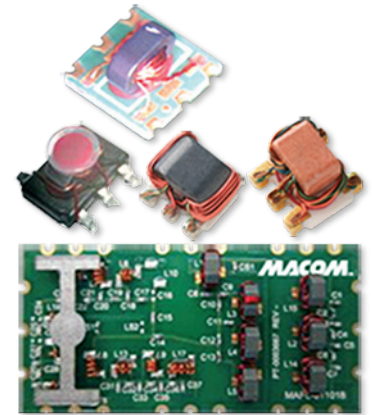
Filters/Diplexers

MACOM offers a variety of highpass, lowpass, and diplex filter components and assemblies used in common wireless communications standards and CATV, DBS, and DTV applications.

- > 50 Ω and 75 Ω diplexers
- > Multi-chip and MMIC products
- > Low cost surface mount packaging

Capacitors

- > Suitable for DC blocking and RF bias networks in a variety of control and filter circuits
- > Capacitance-temperature coefficient provides <200 ppm/C
- > Insertion loss <0.1 dB at 15 GHz
- > Ideal for chip and wire/ribbon microwave high performance circuits



Bias Networks

Part Number	Min Freq (MHz)	Max Freq (MHz)	Insertion Loss (dB)	Isolation Loss (dB)	Package
MABT-011000-14230G	200	1800	0.2	35	Die
MABT-011000-14230W	200	1800	0.2	35	Die
MABT-011000-14230P	200	1800	0.2	35	Die
MABT-011000-14235P	200	1800	0.2	35	Die
MA4BN1840-1	18000	40000	0.2	35	Die
MA4BN1840-2	18000	40000	0.2	35	Die

Couplers

Part Number	Description	Min Freq (MHz)	Max Freq (MHz)	Coupling, Nom (dB)	Isolation (dB)	Input Power (dBm)	IL (dB)	Impedance (Ω)	Package
JHS-113-PIN ♦	Quad Hybrid	7	14	3	28	36	—	50	SF-1
JHS-114-PIN ♦	Quad Hybrid	20	40	3	28	37	—	50	SF-1
JH-114-PIN ♦	Quad Hybrid	20	40	3	30	37	—	50	FP-2
JH-133-PIN ♦	Quad Hybrid	20	40	3	28	37	—	50	TO-8-2
JHS-115-PIN ♦	Quad Hybrid	40	80	3	30	30	—	50	SF-1
JH-115-PIN ♦	Quad Hybrid	40	80	3	30	30	—	50	FP-2
MACP-010507-CH0160	Coupler, 17 dB	5	120	17	38	27	0.5	75	Ceramic
JH-119-PIN ♦	Quad Hybrid	80	160	3	33	36	—	50	FP-2
JHS-119-PIN ♦	Quad Hybrid	80	160	3	33	36	—	50	SF-1
HH-106-PIN ♦	Hybrid Junction	2	200	3	30	30	—	50	FP-2
JH-121-PIN ♦	Quad Hybrid	100	200	3	25	36	—	50	FP-2
HHS-109-PIN	Hybrid Junction	5	200	3	40	27	—	50	SF-1
HH-109-PIN ♦	Hybrid Junction	5	200	3	40	27	—	50	FP-2
JHS-121-PIN	Quad Hybrid	100	200	3	25	36	—	50	SF-1
MACP-011047	Coupler, 14 dB	5	300	14	30	27	0.35	75	FR4
JH-136-PIN ♦	Quad Hybrid	175	350	3	28	36	—	50	FP-2
CHS-137-PIN ♦	Bi-Directional	1	400	20	40	35	—	50	SF-1
JHS-142-PIN ♦	Quad Hybrid	200	400	3	30	37	—	50	SF-1
MACP-007984-MDC201	Coupler, 20 dB	350	450	20	38	24	0.3	50	Ceramic
CHS-134-PIN ♦	Bi-Directional	10	500	11	31	30	—	50	SF-1
CH-134-PIN ♦	Bi-Directional	10	500	11	31	30	—	50	FP-2
JHS-139-PIN ♦	Quad Hybrid	250	500	3	30	36	—	50	SF-1
HH-110-PIN ♦	Hybrid Junction	10	500	3	37	30	—	50	FP-2
JH-139-PIN ♦	Quad Hybrid	250	500	3	30	36	—	50	FP-2
HHS-110-PIN	Hybrid Junction	10	500	3	40	30	—	50	SF-1
MACPCC0002	Bi-Directional 17 dB Coupler	960	824	17	32	33	—	50	SOIC-8
MACP-009821-CG0650	Coupler, 16 dB	5	862	16	33	24	1.1	75	FR4
MACP-010382-CFOA40	Coupler, 15 dB	4	862	15	33	24	0.7	75	FR4
MACP-010383-CHOA40	Coupler, 17 dB	4	862	17	35	24	0.6	75	FR4
MACP-010389-CE0880	Coupler, 14 dB	4	862	14	38	24	1	75	FR4
ELDC-10	Coupler 10 dB, 75 Ohm	5	870	10	28	24	—	50	FR4
MACP-009598-C80160	Coupler, 9 dB	5	900	9	26	24	1.9	75	Ceramic
CH-132-BNC ♦	Bi-Directional	1	1000	20	40	—	—	50	C-8-132
2031-6330-00 ♦	Stripline 180 Deg. Hybrid	500	1000	3	25	45	—	50	Conn

Couplers (continued)

Part Number	Description	Min Freq (MHz)	Max Freq (MHz)	Coupling, Nom (dB)	Isolation (dB)	Input Power (dBm)	IL (dB)	Impedance (Ω)	Package
CH-140-PIN ♦	Directional	5	1000	20	40	35	—	50	FP-2
MACP-007486-CH0010	Coupler, 17 dB	5	1000	17	38	24	0.6	75	FR4
MACP-007490-CA0010	Coupler, 10.5 dB	5	1000	11	30	24	1.3	75	FR4
MACP-008125-CK07F0	Coupler, 20 dB	5	1000	20	34	24	0.5	75	FR4
MACP-008311-CE0370	Coupler, 14 dB	5	1000	14	39	24	1	75	FR4
MACP-008764-CH0370	Coupler, 17 dB	5	1000	17	39	24	1.3	75	FR4
MACP-009404-C80370	Coupler, 8 dB	5	1000	8	25	24	1.5	75	FR4
MACP-009596-CA0160	Coupler, 10 dB	5	1000	10	30	24	1.3	75	Ceramic
MACP-009736-CD0160	Coupler, 13 dB	5	1000	13	28	24	1.3	75	Ceramic
MACP-009943-CH07F0	Coupler, 17 dB	5	1000	17	37	24	0.6	75	FR4
MACP-009944-CK07F0	Coupler, 20 dB	5	1000	20	30	24	0.5	75	FR4
MACP-010718-CG09E0	Coupler, 17 dB	40	1002	17	35	24	0.6	75	Ceramic
MACP-007727-CI07B0	Coupler, 18 dB	5	1200	18	26	24	1	75	FR4
MACP-007741-CG09E0	Coupler, 17 dB	5	1200	17	32	24	0.8	75	Ceramic
MACP-009011-C80370	Coupler, 8 dB	5	1200	8	25	24	1.8	75	FR4
MACP-009730-C60370	Coupler, 6 dB	5	1200	6	16	24	2.5	75	FR4
MACP-009945-CH0670	Coupler, 18 dB	5	1200	18	33	24	1.3	75	FR4
MACP-010249-CI08A0	Coupler, 18 dB	5	1200	18	32	24	0.6	75	SOT
MACP-010250-C808A0	Coupler, 8 dB	5	1200	9	24	28	1.6	75	SOT
MACP-010414-CA0370	Coupler, 10 dB	5	1200	10	21	24	1.3	75	FR4
MACP-010446-C80370	Coupler, 8 dB	5	1200	8	21	24	1.9	75	FR4
MACP-011029	Coupler, 17.5 dB	5	1218	17.5	30	27	0.6	75	FR4
MACP-011010	Coupler, 12 dB	5	1225	12	20	24	1.6	75	FR4
MACP-011014	Coupler, 17.5 dB	5	1225	17	36	27	0.65	75	FR4
MACP-011032	Coupler, 7 dB	5	1225	7	17	27	1.8	75	FR4
MACP-011033	Coupler, 8 dB	5	1225	8	18	27	1.5	75	FR4
MACP-011035	Coupler, 12 dB	5	1225	12	29	27	1.5	75	FR4
MACP-011036	Coupler, 16 dB	5	1225	16	34	27	1	75	FR4
MACP-011037	Coupler, 10 dB	5	1225	10	24	27	1.5	75	FR4
MACP-011038	Coupler, 16 dB	5	1225	16	33	32	0.9	75	FR4
MACP-011045	Coupler, 23 dB	5	1225	23	39	40	0.6	50	FR4
MACP-011050	Coupler, 9 dB	5	1225	9	42	33	1.6	75	FR4
MACP-011051	Coupler, 7.5 dB	5	1225	7.5	42	33	2	75	FR4
MACP-011054	Coupler, 9 dB	5	1225	9	42	33	1.6	75	FR4
MACP-011055	Coupler, 15.2 dB	5	1225	15.2	37	32	0.9	75	FR4
MACP-011056	Coupler, 16 dB	5	1225	16	43	33	0.7	75	FR4
MACP-011062	Coupler, 12.5 dB	5	1225	12.5	42	33	0.95	75	FR4
MACP-011015	Coupler, 8 dB	40	1250	8	27	24	1.8	75	FR4
MACP-011058	Coupler, 10 dB	5	1250	10	42	33	1.5	75	FR4
MACP-011059	Coupler, 12 dB	5	1250	12	32	33	0.95	75	FR4
MACP-011034	Coupler, 10 dB	5	1255	7	30	27	1.35	75	FR4
MACP-011013	Coupler, 20 dB	5	1500	20	27	27	0.9	75	FR4
2031-6331-00 ♦	Stripline 180 Deg. Hybrid	1000	2000	3	25	45	—	50	Conn
2025-6002-10 ♦	Stripline Directional	500	2000	10	28	47	—	50	Conn
2035-6364-00 ♦	Air Dielectric 90 Deg. Hybrid	1000	2000	3	20	47	—	50	Conn
2032-6344-00 ♦	Stripline 90 Deg. Hybrid	1000	2000	3	22	45	—	50	Conn

Note: Part numbers are RoHS compliant ♦ indicates non-RoHS compliant

Detailed specifications can be found quickly on our website at macom.com by typing the part number into the search box.

All specifications are subject to change.

Couplers (continued)

Part Number	Description	Min Freq (MHz)	Max Freq (MHz)	Coupling, Nom (dB)	Isolation (dB)	Input Power (dBm)	IL (dB)	Impedance (Ω)	Package
H-9-N	Hybrid Junction	2	2000	4	40	44	—	50	Conn
2025-6004-20 ♦	Stripline Directional	500	2000	20	42	47	—	50	Conn
2020-6607-30 ♦	Directional Mini Octave	1000	2000	30	55	47	—	50	Conn
JH-141-PIN ♦	High-Freq Quad Hybrid	1000	2000	3	27	44	—	50	FP-2
HH-128-PIN ♦	Hybrid Junction	20	2000	3	35	27	—	50	FP-3
2020-6605-10 ♦	Directional Mini Octave	1000	2000	10	35	47	—	50	Conn
MACPCC0001	Bi-Directional 17 dB Coupler	1700	2000	17	34	33	—	50	SOIC-8
2020-6606-20 ♦	Directional Mini Octave	1000	2000	20	45	47	—	50	Conn
2025-6001-06 ♦	Stripline Directional	500	2000	6	24	47	—	50	Conn
MACP-011068	Coupler, 17.3 dB	5	2000	17.3	26	33	1.1	75	FR4
MACP-010381-C70880	Coupler, 7dB	5	2400	7	21	24	2.5	75	FR4
MACP-011086	Coupler, 14 dB	5	3000	14	25	3	—	50	SMT
H-183-4-N ♦	Hybrid Junction	30	3000	5	20	37	—	50	Conn
MACP-011031	Coupler, 14 dB	5	3250	14	36	27	1.8	75	FR4
MACP-011074	14 dB Couplers	5	3250	14	36	30	1	75	SMT
2032-6345-00 ♦	Stripline 90 Deg. Hybrid	2000	4000	3	22	45	—	50	Conn
2020-6609-10 ♦	(Directional Mini Octave	2000	4000	10	32	47	—	50	Conn
2031-6332-00 ♦	Stripline 180 Deg. Hybrid	2000	4000	3	22	45	—	50	Conn
2020-6610-20 ♦	Directional Mini Octave	2000	4000	20	42	47	—	50	Conn
2025-6006-10 ♦	Stripline Directional	1000	4000	10	28	47	—	50	Conn
2020-6613-10 ♦	Directional Mini Octave	2600	5200	10	30	47	—	50	Conn
2031-6333-00 ♦	Stripline 180 Deg. Hybrid	2600	5200	3	20	45	—	50	Conn
2020-6614-20 ♦	Directional Mini Octave	2600	5200	20	40	47	—	50	Conn
2020-6615-30 ♦	Directional Mini Octave	2600	5200	30	50	47	—	50	Conn
2032-6347-00 ♦	Stripline 90 Deg. Hybrid	4000	8000	3	20	45	—	50	Conn
2020-6616-06 ♦	Directional Mini Octave	4000	8000	6	28	47	—	50	Conn
2031-6334-00 ♦	Stripline 180 Deg. Hybrid	4000	8000	3	20	45	—	50	Conn
2020-6618-20 ♦	Directional Mini Octave	4000	8000	20	40	47	—	50	Conn
2020-6617-10 ♦	Directional Mini Octave	4000	8000	10	30	47	—	50	Conn
2020-6619-30 ♦	Directional Mini Octave	4000	8000	30	50	47	—	50	Conn
2025-6012-20 ♦	Stripline Directional	2000	8400	20	40	47	—	50	Conn
2025-6010-10 ♦	Stripline Directional	2000	8400	10	28	47	—	50	Conn
2025-6009-06 ♦	Stripline Directional	2000	8400	6	24	47	—	50	Conn
2032-6348-00 ♦	Stripline 90 Deg. Hybrid	8000	12400	3	18	45	—	50	Conn
2026-6001-10 ♦	Stripline Directional	1000	12400	10	28	47	—	50	Conn
2020-4018-20 ♦	Directional Mini Octave	7000	12400	20	38	—	—	50	Conn
2025-6016-20 ♦	Stripline Directional	4000	12400	20	35	47	—	50	Conn
2031-6335-00 ♦	Stripline 180 Deg. Hybrid	8000	12400	3	17	45	—	50	Conn
2020-6623-30 ♦	Directional Mini Octave	7000	12400	30	47	47	—	50	Conn
2020-6622-20 ♦	Directional Mini Octave	7000	12400	20	38	47	—	50	Conn
2025-6014-10 ♦	Stripline Directional	4000	12400	10	25	47	—	50	Conn
2032-6354-00 ♦	Stripline 90 Deg. Hybrid	4000	12400	3	20	47	—	50	Conn

Couplers (continued)

Part Number	Description	Min Freq (MHz)	Max Freq (MHz)	Coupling, Nom (dB)	Isolation (dB)	Input Power (dBm)	IL (dB)	Impedance (Ω)	Package
2032-6371-00 ♦	Stripline 90 Deg. Hybrid	2000	18000	3	20	47	—	50	Conn
2025-6018-10 ♦	Stripline Directional	6000	18000	10	26	47	—	50	Conn
2025-6017-06 ♦	Stripline Directional	6000	18000	6	21	47	—	50	Conn
2026-6007-10 ♦	Stripline Directional	1000	18000	10	25	47	—	50	Conn
2026-6010-10 ♦	Stripline Directional	500	18000	10	25	47	—	50	Conn
2031-6339-00 ♦	Stripline 180 Deg. Hybrid	7000	18000	3	14	43	—	50	Conn
2032-6374-00 ♦	Stripline 90 Deg. Hybrid	6500	18000	3	18	45	—	50	Conn
2025-6020-20 ♦	Stripline Directional	6000	18000	20	35	47	—	50	Conn
2026-6009-20 ♦	Stripline Directional	1000	18000	20	37	47	—	50	Conn
2026-6004-10 ♦	Stripline Directional	2000	18000	10	25	47	—	50	Conn
2020-6624-06 ♦	Directional Mini Octave	7000	18000	6	21	47	—	50	Conn
2020-6626-20 ♦	Directional Mini Octave	7000	18000	20	35	47	—	50	Conn
2020-6627-30 ♦	Directional Mini Octave	7000	18000	30	45	47	—	50	Conn
2020-6628-06 ♦	Directional Mini Octave	12400	18000	6	21	47	—	50	Conn
2020-6630-20 ♦	Directional Mini Octave	12400	18000	20	35	47	—	50	Conn
2025-6019-16 ♦	Stripline Directional	6000	18000	16	32	47	—	50	Conn

Power Dividers/Combiners

Part Number	Min Freq (MHz)	Max Freq (MHz)	Channels (#)	Amplitude Balance (dB)	Phase Bal (°)	Isolation (dB)	Max Input Power (dBm)	Impedance (Ω)	Package
M3H-50-PIN ♦	1	100	3	0.2	1	30	30	50	TO-5
MTH-50-PIN ♦	1	100	2	0.1	1	30	30	50	TO-5-1
MAPD-008762-ES0001	120	160	2	1	1	20	30	50	FR4
MAPD-009850-HW1268	112	168	2	1	1	18	30	50	FR4
THV-50-N ♦	2	200	2	0.2	1	30	33	50	Conn
THV-50-TNC ♦	2	200	2	0.2	1	30	33	50	Conn
THV-50-BNC ♦	2	200	2	0.2	1	30	33	50	Conn
THV-50-SMA ♦	2	200	33	0.2	1	30	33	50	Conn
MAPD-008109-C30040	5	200	3	0.1	1	30	30	75	FR4
M3V-50-PIN ♦	50	300	3	0.2	2	25	30	50	TO-5
DS-310-PIN ♦	0	300	4	0.2	4	25	30	50	FP-5
DS-117-PIN ♦	1	300	3	0.3	4	20	30	50	FP-3
DS-308-BNC ♦	1	300	3	0.3	4	20	30	50	C-8
MAPD-011026	5	300	3	0.1	0.6	22	27	75	FR4
TU-50-N ♦	20	400	2	0.2	1	35	33	50	Conn
TU-50-SMA ♦	20	400	2	0.2	1	35	33	50	Conn
DSS-113-PIN ♦	0	400	2	0.2	1	25	30	50	SF-1
DS-113-PIN ♦	0	400	2	0.2	1	25	30	50	FP-2
MTV-50-PIN ♦	40	400	2	0.2	2	30	30	50	TO-5-1
TU-50-BNC ♦	20	400	33	0.2	1	35	33	50	Conn
TU-50-TNC ♦	20	400	2	0.2	1	35	33	50	Conn

Note: Part numbers are RoHS compliant ♦ indicates non-RoHS compliant

Detailed specifications can be found quickly on our website at macom.com by typing the part number into the search box. All specifications are subject to change.

Power Dividers/Combiners (continued)

Part Number	Min Freq (MHz)	Max Freq (MHz)	Channels (#)	Amplitude Balance (dB)	Phase Bal (°)	Isolation (dB)	Max Input Power (dBm)	Impedance (Ω)	Package
DS-112-PIN ♦	10	500	4	0.2	5	25	30	50	FP-5
DSS-333-PIN ♦	10	500	2	0.2	2	25	30	50	SF-1
DS-318-PIN ♦	5	500	2	0.2	2	18	30	50	RH-1
DS-309-BNC ♦	2	500	8	0.2	2	30	33	50	C-18
DS-319-PIN ♦	10	500	2	0.2	1	25	30	50	TO-8-2
DS-109-PIN ♦	10	500	2	0.2	1	25	30	50	FP-2
DS-312-BNC ♦	10	500	4	0.2	2	25	30	50	C-14
MAPD-007249-ESML21	5	500	2	0.2	1	25	30	50	Ceramic
DS-328-PIN ♦	3	700	3	0.3	3	20	30	50	TO-8-2
MAPD-008072-ESSM26	5	900	2	0.1	0.1	20	30	50	Ceramic
MAPDCC0017	824	960	6	0.2	6	20	30	50	SOW-16
MAPDCC0005	824	960	3	0.6	2	15	30	50	SOIC-8
MAPDCC0009	824	960	4	0.3	3	20	30	50	SOIC-8
MAPDCC0001	824	960	2	0.1	0.5	15	30	50	SOIC-8
MAPDCC0011	824	960	2	0.1	3	13	30	50	SOT-26
MAPDCC0021	824	960	8	0.4	5	20	30	50	SSOP-20
MAPDCC0019	824	960	6	0.5	4	20	30	50	SOIC-16
H-81-4-SMA ♦	5	1000	2	0.5	2.5	25	33	50	Conn
T-1000-TNC ♦	10	1000	2	0.1	1	25	33	50	Conn
H-81-4-N ♦	5	1000	2	0.5	2.5	25	33	50	Conn
T-1000-BNC ♦	10	1000	2	0.1	1	25	33	50	Conn
DSS-327-PIN ♦	5	1000	2	0.3	3	16	30	50	SF-1
T-1000-SMA ♦	10	1000	2	0.1	1	25	33	50	Conn
T-1000-N ♦	10	1000	2	0.1	1	25	33	50	Conn
DS-323-PIN ♦	25	1000	3	0.4	4	24	30	50	FP-3
DS-324-PIN ♦	25	1000	4	0.3	6	20	30	50	FP-5
DS-327-PIN ♦	5	1000	2	0.2	3	20	30	50	FP-2
ELPD-20-1	5	1000	2	0.5	4	22	30	50	SM-139
ESSMJ-2-12-75	5	1000	2	0.5	4	30	30	50	SM-44
MAPD-010362-C20FA0	5	1000	2	0.4	3	19	24	75	FR4
MAPD-010038-C209C0	5	1000	2	0.3	0.3	30	30	75	FR4
MAPD-009918-C209C0	5	1000	2	0.3	0.9	26	30	75	FR4
MAPD-009278-5T1000	5	1000	2	0.2	1	16	24	50	FR4
MAPD-008812-0003HW	5	1000	3	0.2	2	20	24	50	FR4
MAPD-008108-C202C0	5	1000	2	0.1	0.8	18	30	75	Ceramic
MAPD-007246-ES4700	2	1000	4	0.2	5	20	30	50	FR4
MAPDCT0033	5	1000	2	0.4	0	22	30	75	FR4
MAPDCT0030	5	1000	2	0.2	1	20	30	75	SOT
MAPDCT0029	5	1000	2	0.3	1	14	30	75	FR4
MAPDCT0028	5	1000	4	0.3	0.5	20	30	75	FR4
MAPDCT0027	5	1000	2	0.3	1	15	30	75	FR4
MAPD-011020	5	1200	2	0	0.6	19	30	75	FR4
MAPD-010281-C2W024	5	1200	2	0.2	1.3	—	30	75	FR4
MAPD-010047-C2W24M	5	1200	2	0.2	1.3	—	30	75	FR4
MAPD-009492-C2W180	5	1200	2	1.3	1.3	—	17	75	FR4
MAPDCT0032	5	1200	3	0.3	3	20	24	75	FR4
MAPDCT0024	5	1200	2	0.3	2.1	—	14	75	FR4
MAPDCT0017	46	1200	3	0.3	3	20	24	75	SM-4

Note: Part numbers are RoHS compliant ♦ indicates non-RoHS compliant
 Detailed specifications can be found quickly on our website at macom.com by typing the part number into the search box.
 All specifications are subject to change.

Power Dividers/Combiners (continued)

Part Number	Min Freq (MHz)	Max Freq (MHz)	Channels (#)	Amplitude Balance (dB)	Phase Bal (°)	Isolation (dB)	Max Input Power (dBm)	Impedance (Ω)	Package
MAPD-011053	5	1218	2	0.3	3	41	33	75	FR4
MAPD-011050	5	1218	2	0.4	1.5	27	27	75	FR4
MAPD-011039	5	1218	2	0.6	2.5	26	30	75	FR4
MAPD-010274-C209C0	5	1218	2	0.2	0.6	16	30	75	FR4
MAPD-011052	5	1225	2	0.3	0	27	27	75	FR4
MAPD-011051	5	1225	2	0.5	5	27	27	75	FR4
MAPD-011040	5	1225	2	0.3	5	17	30	75	FR4
MAPD-011035	5	1225	2	0.5	5	17	30	75	FR4
MAPD-011032	5	1250	2	0.2	0.4	18	27	75	SOT
DS-331-PIN ♦	750	1500	2	0.2	6	10	30	50	TO-8
MAPD-011027	5	1500	3	0.3	6	18	27	75	FR4
MAPD-011002	5	1600	2	0.3	0.7	26	30	75	FR4
MAPD-010638-C2WSOT	5	1600	2	0.3	1	23	24	75	FR4
MAPDCC0003	1510	1660	2	0.1	1	15	30	50	SOIC-8
MAPDCC0004	1700	1900	2	0.1	2	15	30	50	SOIC-8
MAPDCC0002	1850	1990	2	0.1	1	15	30	50	SOIC-8
MAPDCC0006	1850	1990	3	0.3	7	12	30	50	SOIC-8
MAPDCC0015	1850	1990	5	0.2	6	21	30	50	SOIC-16
2089-6406-00 ♦	500	2000	4	0.4	6	20	36	50	Conn
DS-4-4-BNC ♦	2	2000	4	1	5	30	30	50	Conn
MAPDCC0008	1700	2000	4	0.1	4	18	30	50	SOW-16
H-8-4-SMA ♦	2	2000	2	0.1	2.5	25	33	50	Conn
2089-6206-00 ♦	500	2000	2	0.3	4	20	36	50	Conn
2089-6201-00 ♦	1000	2000	2	0.2	4	20	33	50	Conn
DS-4-4-SMA ♦	2	2000	4	1	5	30	30	50	Conn
2089-6801-00 ♦	1000	2000	8	0.8	8	20	38	50	Conn
2089-6401-00 ♦	1000	2000	4	0.4	6	20	36	50	Conn
DSS-313-PIN ♦	10	2000	2	0.3	4	23	24	50	SF-1
DS-4-4-N ♦	2	2000	4	1	5	30	30	50	Conn
DS-313-PIN ♦	10	2000	2	0.3	4	23	24	50	FP-2
MAPDCC0018	1700	2000	6	0.5	8	18	30	50	SOW-16
DS-409-4BNC ♦	10	2000	4	0.5	5	25	37	50	Conn
DS-808-4BNC ♦	20	2000	8	0.6	5	20	37	50	Conn
DS-409-4SMA ♦	10	2000	4	0.5	5	25	37	50	Conn
DS-808-4SMA ♦	20	2000	8	0.6	5	20	37	50	Conn
DS-808-4N ♦	20	2000	8	5	0.6	20	37	50	Conn
MAPDCC0020	1700	2000	6	1	4	21	30	50	SOIC-16
DS-409-4TNC ♦	10	2000	4	0.5	5	25	37	50	Conn
DS-808-4TNC ♦	20	2000	8	0.6	5	20	37	50	Conn
MAPDCC0014	1700	2000	4	0.8	5	18	30	50	SOIC-16
MAPD-007530-000100	1700	2000	2	0.2	1.5	16	30	50	SOT-26
MAPD-011007	5	2150	2	0.3	1	30	27	75	FR4
MAPD-010424-C20C80	5	2400	2	0.2	5	6	24	75	FR4
MAPDCT0026	5	2400	2	0.8	2	10	30	75	FR4
MAPDCC0010	2200	2500	2	0.1	2	22	30	50	SOT-25
MAPD-008957-CT0012	1	2700	2	0.5	2	12	30	50	FR4

Note: Part numbers are RoHS compliant ♦ indicates non-RoHS compliant
 Detailed specifications can be found quickly on our website at macom.com by typing the part number into the search box.
 All specifications are subject to change.

Power Dividers/Combiners (continued)

Part Number	Min Freq (MHz)	Max Freq (MHz)	Channels (#)	Amplitude Balance (dB)	Phase Bal (°)	Isolation (dB)	Max Input Power (dBm)	Impedance (Ω)	Package
2089-6402-00 ♦	2000	4000	36	0.4	6	20	36	50	Conn
2089-6202-00 ♦	2000	4000	2	0.2	4	20	33	50	Conn
2089-6203-00 ♦	4000	8000	2	0.2	6	20	33	50	Conn
2089-6403-00 ♦	4000	8000	4	0.4	8	20	36	50	Conn
2089-6807-00 ♦	2000	8000	8	1.2	16	15	41	50	Conn
2089-6207-00 ♦	2000	8000	2	0.3	8	18	36	50	Conn
2089-6404-00 ♦	8000	12400	4	0.5	8	18	36	50	Conn
2089-6204-00 ♦	8000	12400	2	0.2	6	20	33	50	Conn
2089-6808-00 ♦	2000	18000	8	1.8	24	15	45	50	Conn
2089-6805-00 ♦	12400	18000	8	0.8	24	15	40	50	Conn
2089-6405-00 ♦	12400	18000	4	0.5	8	15	38	50	Conn
2090-6205-00 ♦	2000	18000	2	0.3	5	23	46	50	Conn
2090-6414-00 ♦	1000	18000	4	1	12	18	47	50	Conn
2090-6210-00 ♦	8000	18000	2	0.3	5	18	43	50	Conn
2089-6209-00 ♦	4000	18000	2	0.3	8	17	36	50	Conn
2089-6410-00 ♦	7000	18000	4	0.5	12	15	38	50	Conn
2089-6409-00 ♦	4000	18000	4	0.5	12	15	39	50	Conn
2090-6304-00 ♦	500	18000	3	0.5	—	18	49	50	Conn
2089-6208-00 ♦	2000	18000	2	0.3	8	17	40	50	Conn
2090-6214-00 ♦	1000	18000	2	0.4	5	22	47	50	Conn
2089-6408-00 ♦	2000	18000	4	0.5	12	17	20	50	Conn

Transformers/Baluns

Part Number	Description	Min Freq (MHz)	Max Freq (MHz)	Impedance Ratio	Insertion Loss (dB)	Impedance (Ω)	Package
MABA-009807-CF4010	Flux Coupled Balun, sealed cover	0	3	1:4	1	50	Ceramic
MABA-011006	Flux Coupled Unun	8	8	1:20	0.9	50	FR4
ETC16-1T-2TR	Flux Coupled Balun	5	40	1:16	1	50	Ceramic
MABA-009412-CF1BC0	Flux Coupled Balun, CT on both sides	1	50	1:1	0.4	75	FR4 8
MABA-010411-CT1160	Transmission Line Balun	30	60	1:1	0.8	75	SOT
MABAES0017	Flux Coupled Balun	5	65	1:2.53	0.8	75	SOT
MABA-011017	Flux Coupled Balun, Step Down	5	85	2:1	0.5	75	SOT
MABA-010181-CF9A40	Flux Coupled Balun	5	90	1:9	1.3	75	FR4
MABA-008282-CFGA40	Flux Coupled Balun	5	90	1:16	1.5	75	FR4
MABA-011073	Flux Coupled Balun	1	100	1:1	0.3	75	SOT
MABA-010655-CF1A40	Flux Coupled Transformer, Ethernet	1	100	1:1	0.3	50	FR4
MABA-010061-CF4FA0	Flux Coupled Balun	5	100	1:4	1.2	75	SOT
MABA-009776-CF28A0	Flux Coupled Unun, Step Down	5	100	2:1	0.4	75	FR4
MABA-009573-CF1A40	Flux Coupled Balun	5	100	1:1.77	0.3	75	FR4
MABA-008124-CF1FA0	Flux Coupled Balun	5	100	1:1	0.7	75	SOT

Transformers / Baluns (continued)

Part Number	Description	Min Freq (MHz)	Max Freq (MHz)	Impedance Ratio	Insertion Loss (dB)	Impedance (Ω)	Package
MABA-008570-ETC414	Flux Coupled Unun	3	110	1:4	0.3	50	Ceramic
MABA-009650-CF1160	Flux Coupled Balun	5	120	1:1	0.4	75	Ceramic
MABA-009005-CF1A40	Flux Coupled Balun	5	120	1:1	0.2	75	FR4
MABA-008965-CF1160	Flux Coupled Balun	5	120	1:1	0.2	75	Ceramic
MABA-011026	Flux Coupled Balun	5	200	1:1	0.5	75	SOT
MABA-011002	Flux Coupled Balun, Step Down	5	200	4:1	1	75	FR4
MABA-010400-CT18A0	Transmission Line Balun, with Tertiary Winding	40	200	1:1	0.4	75	
MABA-009836-CF48A0	Flux Coupled Balun	5	200	1:4	0.5	50	SOT
MABA-009600-CF48A0	Flux Coupled Balun	4	200	1:4	0.7	50	SOT
MABA-009594-CF18A0	Flux Coupled Balun	5	200	1:1	0.4	75	SOT
MABA-009572-CF18A0	Flux Coupled Balun	5	200	1:1	0.5	75	SOT
MABA-009274-TC11T2	Flux Coupled Balun	0	200	1:1	0.5	50	Ceramic
MABA-008482-CF1A40	Flux Coupled Balun	5	200	1:1.78	0.4	75	FR4
MABA-008354	Flux Coupled Balun, Step Down	5	200	4:1	1.1	75	FR4
MABA-008260-CF4A40	Flux Coupled Balun	5	200	1:4	0.8	75	FR4
MABA-007532-CF18A0	Flux Coupled Balun	5	200	1:1	0.4	75	SOT
ETC1-1T-2TR	Flux Coupled Balun	0	200	1:1	0.3	50	Ceramic
MABAES0060	Flux Coupled Balun	0	200	1:1	1	50	Ceramic
MABACT0071	Flux Coupled Balun	3	200	1:1	0.5	75	FR4
MABACT0068	Flux Coupled Balun	5	200	1:2	0.4	75	FR4
MABACT0062	Flux Coupled Balun	3	200	1:1	0.5	75	Ceramic
MABACT0048	Flux Coupled Balun	5	200	1:2	0.4	75	FR4
MABACT0018	Flux Coupled Balun	5	200	1:4	0.7	50	SOT
MABACT0012	Flux Coupled Balun	3	200	1:1	0.8	75	Ceramic
MABA-007488-CT9550	Transmission Line Balun	5	220	1:9	0.8	75	FR4
MABAES0008	Flux Coupled Balun	3	250	1:4	0.6	50	Ceramic
MABA-011064	Flux Coupled Balun, Step Down	5	300	4:1	1.5	75	SOT
MABA-011063	Flux Coupled Balun, Step Down	5	300	2:1	0.8	75	SOT
MABA-011062	Flux Coupled Balun	1	300	1:2	0.6	75	SOT
MABA-011056	Flux Coupled Balun, Step Down	5	300	2:1	0.8	75	SOT
MABA-011050	Flux Coupled Balun	5	300	1:2	0.6	75	FR4
MABA-011040	Flux Coupled Balun	1	300	1:6	0.6	50	SOT
MABA-011039	Flux Coupled Balun	1	300	1:4	0.7	75	SOT
MABA-011038	Flux Coupled Balun	1	300	1:3	0.6	50	SOT
MABA-011009	Transmission Line Balun, with Tertiary Winding	5	300	1:1	0.2	75	SOT
MABA-009852-CF1A40	Flux Coupled Balun	5	300	1:1	0.2	75	FR4
MABA-009250-CT0068	Flux Coupled Balun	3	300	1:2	0.7	50	Ceramic
MABA-011020	Flux Coupled Balun	1	350	1:4	0.8	50	Ceramic
MABA-009387-ES0040	Flux Coupled Balun	1	350	1:2	1.6	50	SOT
MABA-007766-CF28A0	Flux Coupled Balun	5	350	1:1.5	1.4	50	SOT
MABA-007493-CF4160	Flux Coupled Balun	1	350	1:4	1.6	50	Ceramic
MABA-007237-ETC410	Flux Coupled Balun	1	350	1:4	1.2	50	Ceramic
MABACT0067	Flux Coupled Balun	1	350	1:4	1.3	50	FR4
TP-104-PIN ♦	Pulse	1	400	4:01	0.4	50	FP-1
MABA-010721-CF1670	Transmission Line Balun, with Center Tap	5	400	1:1	0.5	75	FR4
MABA-009126-ET1ISM	Flux Coupled Unun, Sealed Cover	0	400	1:1	1	50	Ceramic
ETC36-1T-2TR	Flux Coupled Balun	5	400	1:36	12	50	Ceramic
TP-102-PIN	Pulse Transformer	1	500	4:01	0.4	50	FP-1
MABA-010143-FLUX18	Flux Coupled Balun	2	500	1:8	1	50	Ceramic
MABA-009947-CF3160	Flux Coupled Balun	0	500	1:3	0.7	50	Ceramic

Transformers / Baluns (continued)

Part Number	Description	Min Freq (MHz)	Max Freq (MHz)	Impedance Ratio	Insertion Loss (dB)	Impedance (Ω)	Package
MABA-008570-ETC414	Flux Coupled Unun	3	110	1:4	0.3	50	Ceramic
MABA-009484-ETC31T	Flux Coupled Balun	2	500	1:3	0.7	50	Ceramic
MABA-009180-500MHZ	Flux Coupled Balun	0	500	1:1	1	50	Ceramic
ETC1-1T-5	Transmission Line Balun, with Tertiary Winding	2	500	1:1	2	50	Ceramic
MABA-009298-CT48A0	Flux Coupled Balun, Wide Bandwidth	1	650	1:4	1.5	50	SOT
MABAES0031	Flux Coupled Balun, Wide Bandwidth	1	650	1:4	1	50	SOT
MABACT0064	Flux Coupled Balun	1	650	1:4	1.5	50	SOT
MABA-009488-6IHWCA	Flux Coupled Balun	3	800	1:4	1	50	FR4
ETC4-1-2TR	Flux Coupled Balun, Wide Bandwidth	2	800	1:4	1.2	50	Ceramic
MABAES0061	Flux Coupled Balun, Wide Bandwidth	2	800	1:4	1.2	50	Ceramic
ETC1-1-6	Transmission Line Balun, with Tertiary Winding	760	960	1:1	0.2	50	Ceramic
TP-105-PIN ♦	Pulse Transformer	0.5	1000	1.4:1	0.4	50	FP-1
TP-103-PIN ♦	Pulse Transformer	0.5	1000	4:01	0.4	50	FP-1
MABA-011037	Transmission Line Balun, Low Profile	2	1000	1:4	0.7	50	FR4
MABA-011032	Transmission Line Balun	40	1000	1:3	1	75	SOT
MABA-011016	Transmission Line Balun, with Center Tap	5	1000	1:1	0.8	50	Ceramic
MABA-010463-CA2A40	Auto Transformer	20	1000	1:1.77	1.2	75	Ceramic
MABA-010449-CA2A40	Auto Transformer	5	1000	1:2	0.8	75	FR4
MABA-009711-ETK2MM	Transmission Line Balun, Low Profile	2	1000	1:4	0.7	50	FR4
MABA-009092-CT1A40	Transmission Line Balun	5	1000	1:1.33	0.7	75	FR4
MABA-008752-TCIP57	Auto Transformer	2	1000	1:1.5	0.4	50	Ceramic
MABA-008639-TC41T7	Transmission Line Balun	6	1000	1:4	3	50	Ceramic
MABA-007569-ETK42T	Transmission Line Balun	2	1000	1:4	0.3	50	Ceramic
ETC1.5-4	Auto Transformer	5	1000	1:1.5	1	75	Ceramic
MABAES0034	Auto Transformer	20	1000	1:4	2	50	Ceramic
MABACT0066	Transmission Line Balun	5	1000	1:4	1.3	50	SOT
MABACT0063	Auto Transformer	5	1000	1:1.5	0.5	75	Ceramic
MABA-010245-CT1160	Transmission Line Balun	46	1002	1:1	0.4	75	Ceramic
TP-108-PIN ♦	Flux Coupled Balun	350	1125	2.5:1	0.8	50	FP-1
MABA-011086	Transmission Line Balun	5	1200	1:1	1.3	75	FR4
MABA-011058	Transmission Line Balun, with Tertiary Winding	50	1200	1:1	0.6	75	FR4
MABA-011051	Transmission Line Balun, with Tertiary Winding	5	1200	1:1.33	2.9	75	FR4
MABA-011031	Transmission Line Balun	5	1200	1:1	0.2	75	FR4
MABA-011029	Transmission Line Balun	5	1200	1:2	1.5	75	FR4
MABA-011027	Transmission Line Balun	5	1200	1:3	2.1	75	FR4
MABA-011015	Transmission Line Balun	45	1200	1:2.78	1.7	75	FR4
MABA-011014	Transmission Line Balun	45	1200	1:1	0.9	75	FR4
MABA-011010	Transmission Line Balun, with Tertiary Winding	5	1200	1:1.33	0.95	75	FR4
MABA-010441-CT38A0	Transmission Line Balun	5	1200	1:3	1.1	75	FR4
MABA-010392-CT18A0	Transmission Line Balun	5	1200	1:1	0.7	50	SOT
MABA-010321-CT1A43	Transmission Line Balun, with Tertiary Winding	50	1200	1:1	0.7	75	FR4
MABA-010321-CT1A42	Transmission Line Balun, with Tertiary Winding	50	1200	1:1	0.7	75	FR4
MABA-010314-CT1370	Transmission Line Balun	5	1200	1:1	0.9	75	FR4
MABA-010268-CT4160	Transmission Line Balun	5	1200	1:4	0.7	50	Ceramic
MABA-010238-CT4A80	Transmission Line Balun	5	1200	1:2	1.3	75	FR4
MABA-010129-CT4A40	Transmission Line Balun	5	1200	1:4	0.7	50	SOT
MABA-009691-CT1881	Transmission Line Balun	5	1200	1:1	0.2	75	FR4

Note: Part numbers are RoHS compliant ♦ indicates non-RoHS compliant
Detailed specifications can be found quickly on our website at macom.com by typing the part number into the search box.
All specifications are subject to change.

Transformers / Baluns (continued)

Part Number	Description	Min Freq (MHz)	Max Freq (MHz)	Impedance Ratio	Insertion Loss (dB)	Impedance (Ω)	Package
MABA-009602-ES2922	Transmission Line Balun, with Tertiary Winding	50	1200	1:1	0.8	50	Ceramic
MABA-009232-CT4A4B	Transmission Line Balun	5	1200	1:4	1	50	FR4
MABA-009231-CT1A4B	Transmission Line Balun	5	1200	1:1	0.7	50	FR4
MABA-009210-CT1760	Transmission Line Balun, with Tertiary Winding	50	1200	1:1	0.6	75	FR4
MABA-008979-CF0290	Transmission Line Balun, with Tertiary Winding	50	1200	1:1	0.7	75	SOT
MABA-008483-CT1760	Transmission Line Balun, with Tertiary Winding	50	1200	1:1	0.63	75	FR4
MABA-007748-CT1160	Transmission Line Balun, with Tertiary Winding	5	1200	1:1	0.6	75	Ceramic
MABA-007681-CT2010	Transmission Line Balun	5	1200	1:2	0.6	75	FR4
MABAES0029	Transmission Line Balun, with Tertiary Winding	50	1200	1:1	1	75	SOT
MABACT0069	Transmission Line Balun, with Tertiary Winding	50	1200	1:1	0.8	75	SOT
MABACT0061	Auto Transformer	5	1200	1:4	1.6	50	Ceramic
MABACT0060	Transmission Line Balun, with Tertiary Winding	5	1200	1:1	0.7	50	FR4
MABACT0043	Transmission Line Balun	5	1200	1:1	0.5	75	SOT
MABA-011103	Auto Transformer	40	1215	1:1.77	2.8	75	Ceramic
MABA-011104	Auto Transformer	5	1218	1:1.5	0.4	75	Ceramic
MABACT0040	Transmission Line Balun, with center tap	5	1218	1:1	1.1	75	FR4
MABA-011094	Transmission Line Balun	5	1225	1:1	0.9	75	Ceramic
MABA-011085	Transmission Line Balun, with Tertiary Winding	5	1225	1:1	0.4	75	FR4
TP-101-PIN ♦	Pulse Transformer	0	1500	1.6:1	0.4	50	FP-1
TPX-75-4N ♦	50 / 75 Ohm	10	1500	1.5:1	0.3	50 / 75	Conn
MABA-010247-2R1250	Transmission Line Balun	1	1600	1:2	1.5	50	FR4
MABA-011028	Transmission Line Balun	600	1700	1:1	0.3	50	FR4
MABA-011112	Transmission Line Balun	5	1800	1:1	0.9	75	FR4
MABA-011113	Transmission Line Balun	5	1800	1:2	0.7	75	FR4
MABA-010374-CT4A40	Transmission Line Balun	10	1900	1:4	1.8	75	FR4
MABA-010386-CA3A40	Auto Transformer	5	2400	1:3	3	75	FR4
MABA-010012-ES4302	Transmission Line Balun	30	2500	1:4	1.8	50	Ceramic
MABA-011047	Transmission Line Balun	5	3000	1:1	0.7	50	Ceramic
MABA-010125-TC1113	Transmission Line Balun	5	3000	1:1	1.5	50	Ceramic
MABA-009822-715254	Transmission Line Balun	5	3000	1:1	0.3	50	Ceramic
MABA-008757-CT1160	Transmission Line Balun	5	3000	1:1	2	75	Ceramic
MABA-007871-CT1A40	Transmission Line Balun	5	3000	1:1	0.6	50	FR4
MABA-007327-CT1A40	Transmission Line Balun	5	3000	1:1	1.6	75	FR4
MABA-007236-C16423	Transmission Line Balun	500	3000	1:4	3	50	Ceramic
MABA-007159-000000	Transmission Line Balun	5	3000	1:1	0.3	50	Ceramic
ETC1-1-13	Transmission Line Balun	5	3000	1:1	0.3	50	Ceramic
ETC1.6-4-2-3	Transmission Line Balun	500	3000	1:4	0.2	50	Ceramic
MABACT0065	Transmission Line Balun	500	3000	1:4	0.2	50	Ceramic
MABACT0059	Transmission Line Balun	5	3000	1:1	2	75	Ceramic
MABACT0039	Transmission Line Balun	5	3000	1:1	1.3	75	SOT
MABA-011042	Transmission Line Balun	2500	3200	1:1	0.9	50	Ceramic
MABA-011100	Transformer Balun	20	4000	1:2	1.5	50	SMT
MABA-011082	Transmission Line Balun, with Tertiary Winding	5	8000	1:1	1.4	50	SMT
MABA-011108	Transmission Line Balun, with Tertiary Winding	5	10000	1:1	1.4	50	SMT
MABA-011118	Transmission Line Balun	10	10000	1:2	1.9	50	SMT
MABA-000001-75KIT1	CATV Transformer Designer's™ Kit					75	SMT
MABA-000001-50KIT1	Transformer Designer's Kit					50	SMT

Note: Part numbers are RoHS compliant ♦ indicates non-RoHS compliant

Detailed specifications can be found quickly on our website at macom.com by typing the part number into the search box.

All specifications are subject to change.

MNS Chip Capacitors

Part Number	Capacitance (pf)	Standoff Voltage (V)	Chip Style	Package
MA4M3010 S	10	200	350	Die
MA4M2020 S	20	200	132	Die
MA4M3030 S	30	200	352	Die
MA4M1050 S	50	100	132	Die
MA4M3050 S	50	200	354	Die
MA4M1100 S	100	100	199	Die
MA4M3100 S	100	50	358	Die
MA4M3150 S	150	50	359	Die

High Q MNOS Series Chip Capacitors: 9000 Series VB >50 V & 9100 Series VB >100 V

Part Number	Capacitance (pf)	Working Voltage (V)	Chip Size + .002"	Package
902R0 thru 9010R S	2 to 10	50	0.010" x 0.010" x 0.005"	Die
9011R thru 9029R S	11 to 29	50	0.015" x 0.015" x 0.005"	Die
9030R thru 9049R S	30 to 49	50	0.020" x 0.020" x 0.006"	Die
9050R thru 9099R S	50 to 99	50	0.030" x 0.030" x 0.006"	Die
0100 thru 90199R S	100 to 199	50	0.040" x 0.040" x 0.008"	Die
90200 thru 90399R S	200 to 399	50	0.050" x 0.050" x 0.008"	Die
90400 thru 90600R S	400 to 600	50	0.070" x 0.070" x 0.008"	Die
910R1 thru 911R9 S	0.1 to 1.9	100	0.010" x 0.010" x 0.005"	Die
912R0 thru 919R9 S	2 to 9.9	100	0.015" x 0.015" x 0.005"	Die
9110R thru 9129R S	10 to 29	100	0.020" x 0.020" x 0.006"	Die
9130R thru 9149R S	30 to 49	100	0.030" x 0.030" x 0.006"	Die
9150R thru 9199R S	50 to 99	100	0.040" x 0.040" x 0.008"	Die
91100 thru 91199 S	100 to 199	100	0.050" x 0.050" x 0.008"	Die
91200 thru 91399 S	200 to 399	100	0.070" x 0.070" x 0.008"	Die

Beam Lead Capacitors: 9000 Series VB >50 V

Part Number	Capacitance Range (pf)	Package
90100ROM S	100 + 20%	14-4
9010ROM S	10 + 20%	14-3
9015ROM S	15 + 20%	14-3
901R0 thru 901R5 S	1.0 to 1.5	14-1
901R0 thru 902R2 S	1.0 to 2.2	14-2
9022ROM S	22 + 20%	14-3
902R2 thru 904R7 S	2.2 to 4.7	14-2
9033ROM S	33 + 20%	14-3
9047ROM S	47 + 20%	14-4
905R6M S	5.6 + 20%	14-2
9068ROM S	68 + 20%	14-4
906R8M S	6.8 + 20%	14-2
9082ROM S	82 + 20%	14-4
908R2M S	8.2 + 20%	14-2
90R1 thru 90R9 S	0.1 to 0.9	14-1
90R5 thru 901R0 S	0.5 to 1.0	14-2

Note: Part numbers are RoHS compliant **S** indicates these parts are also available with Space and Hi-Rel Screening & Qualification. Detailed specifications can be found quickly on our website at macom.com by typing the part number into the search box. All specifications are subject to change.

Binary Chip Capacitors

Part Number	PAD1 (pF)	PAD2 (pF)	PAD3 (pF)	PAD4 (pF)	Total (pF)	Chip Size
9115ROK-BOO	1	2	4	8	15	0.020 x 0.020
9115ROK-BSP-1	1	2	4	8	15	0.030 x 0.020
911R5K-BSP-3	0.1	0.2	0.4	0.8	1.5	0.015 x 0.015
9122R5K-BOO	1.5	3	6	12	22.5	0.020 x 0.020
9122R5K-BSP-1	1.5	3	6	12	22.5	0.030 x 0.020
913R0K-BSP-3	0.2	0.4	0.8	1.6	3	0.015 x 0.015
913R7K-BOO	0.25	0.5	1	2	3.75	0.020 x 0.020
913R7K-BSP-1	0.25	0.5	1	2	3.75	0.030 x 0.020
913R7K-BSP-3	0.25	0.5	1	2	3.75	0.015 x 0.015
915R6K-BSP-3	0.35	0.75	1.5	3	5.6	0.015 x 0.015
917R5K-BOO	0.5	1	2	4	7.5	0.020 x 0.020
917R5K-BSP-1	0.5	1	2	4	7.5	0.030 x 0.020

DC Floating /RF Bypass Mounting Capacitors: 9100 & 9000 Series

Part Number	Capacitance Range (pF)	Chip Size A	Chip Size B	Pad Size D	Pad Size E	Customer Specified Field D
SP49 S	5 - 50	0.014	0.034	0.011	0.031	0.005 - 0.020
SP84 S	7 - 70	0.02	0.04	0.016	0.03	0.005 - 0.020
SP51 S	8 - 80	0.015	0.045	0.013	0.043	0.005 - 0.020
SP14 S	9 - 90	0.02	0.04	0.016	0.036	0.005 - 0.020
SP34 S	9 - 90	0.024	0.034	0.02	0.03	0.005 - 0.020
SP6 S	10 - 100	0.014	0.055	0.012	0.053	0.005 - 0.020
SP89 S	12 - 120	0.02	0.06	0.014	0.055	0.005 - 0.020
SP80 S	13 - 130	0.016	0.065	0.014	0.063	0.005 - 0.020
SP12 S	14-140	0.02	0.055	0.018	0.053	0.005 - 0.020
SP87 S	15 - 150	0.013	0.12	0.009	16	0.005 - 0.020
SP81 S	17 - 170	0.015	0.09	0.013	0.088	0.005 - 0.020
SP22 S	24 - 240	0.025	0.08	0.021	0.075	0.005 - 0.020
SP88 S	25 - 250	0.021	0.121	0.015	0.115	0.005 - 0.020
SP48 S	29 - 290	0.035	0.065	0.031	0.061	0.005 - 0.020
SP64 S	75 - 750	0.055	0.102	0.051	0.098	0.005 - 0.020
SP120 S	90 - 900	0.055	0.12	0.05	0.115	0.005 - 0.020
SP7 S	100 - 1000	0.085	0.085	0.081	0.081	0.005 - 0.020
SP2 S	150 - 1500	0.11	0.11	0.1	0.1	0.005 - 0.020
SP68 S	175 - 1750	0.101	0.124	0.097	0.12	0.005 - 0.020
SP1 S	200 - 2000	0.11	0.14	0.1	0.13	0.005 - 0.020
SP5 S	200 - 1000	0.1	0.1	0.095	0.095	0.005 - 0.020
SP20 S	200 - 2000	0.12	0.14	0.11	0.13	0.005 - 0.020
SP29 S	200 - 2000	0.121	0.121	0.115	0.115	0.005 - 0.020
SP38 S	200 - 2000	0.094	0.152	0.091	0.148	0.005 - 0.020
SP39 S	200 - 2000	0.12	0.134	0.11	0.13	0.005 - 0.020
SP40 S	200 - 2000	0.107	0.134	0.103	0.13	0.005 - 0.020
SP77 S	300 - 3000	0.118	0.175	0.114	0.171	0.005 - 0.020
SP52 S	300 - 3000	0.13	0.17	0.124	0.164	0.005 - 0.020
SP104 S	350 - 3500	0.142	0.171	0.138	0.167	0.005 - 0.020
SP111 S	350 - 3500	0.143	0.18	0.138	0.167	0.005 - 0.020
SP37 S	350 - 3500	0.151	0.168	0.147	0.164	0.005 - 0.020
SP44 S	350 - 3500	0.14	0.17	0.135	0.165	0.005 - 0.020
SP55 S	360 - 3600	0.117	0.22	0.113	0.216	0.005 - 0.020

Note: Part numbers are RoHS compliant **S** indicates these parts are also available with Space and Hi-Rel Screening & Qualification. Detailed specifications can be found quickly on our website at macom.com by typing the part number into the search box. All specifications are subject to change.

MNOS Series Capacitors

Part Number	Type	Capacitance Range Min (pF)	Range (pF)	Capacitance Dvw Min (V)	IR Min (Ω)	TCC Typ (ppm/+°C)	Package
MBC50-0.2B14 S	Beam Lead	0.16	0.24	50	1000	55	B14
MBC50-1.0B14 S	Beam Lead	0.8	1.2	50	1000	55	B14
MBC50-1B12 S	Beam Lead	0.8	1.2	50	1000	55	B12
MBC50-1.5B14 S	Beam Lead	1.2	1.8	50	1000	55	B14
MBC50-2.0B14 S	Beam Lead	1.6	2.4	50	1000	55	B14
MBC50-2B12 S	Beam Lead	1.6	2.4	50	1000	55	B12
MBC50-3B12 S	Beam Lead	2.4	3.6	50	1000	55	B12
MBC50-4B12 S	Beam Lead	3.2	4.8	50	1000	55	B12
MBC50-6B12 S	Beam Lead	4.8	7.2	50	1000	55	B12
MBC50-8B12 S	Beam Lead	6.4	9.6	50	1000	55	B12
MBC50-10B12 S	Beam Lead	8	12	50	1000	55	B12
MBC50-15B12 S	Beam Lead	12	18	50	1000	55	B12
MBC50-20B12 S	Beam Lead	16	24	50	1000	55	B12
MBC50-33B13 S	Beam Lead	26.4	39.6	50	1000	55	B13
MBC50-47B13 S	Beam Lead	37.6	56.4	50	1000	55	B13
MBC50-68B13 S	Beam Lead	54.4	81.6	50	1000	55	B13
MBC50-82B13 S	Beam Lead	65.6	96	50	1000	55	B13
MBC50-100B13 S	Beam Lead	80	120	50	1000	55	B13
MC2DXXX010-010 S	Chips	0.1	5	50	1000	55	Die
MC2SXXX010-010 S	Chips	0.25	8	50	1000	55	Die
MC2SXXX011-011 S	Chips	1	12	50	1000	55	B12
MC2DXXX015-015 S	Chips	1.5	15	50	1000	55	Die
MC2RXXX010-015 S	Chips	2	20	50	1000	55	Die
MC2SXXX015-015 S	Chips	3	30	50	1000	55	Die
MC2SXXX016-016 S	Chips	3	35	50	1000	55	Die
MC2RXXX015-020 S	Chips	5	42	50	1000	55	Die
MC2DXXX020-020 S	Chips	5	50	50	1000	55	Die
MC2SXXX020-020 S	Chips	5	55	50	1000	55	Die
MC2SXXX022-022 S	Chips	5	60	50	1000	55	Die
MC2RXXX015-032 S	Chips	5	62	50	1000	55	Die
MC2SXXX025-025 S	Chips	10	100	50	1000	55	Die
MC2RXXX022-042 S	Chips	15	120	50	1000	55	Die
MC2SXXX030-030 S	Chips	10	120	50	1000	55	Die
MC2SXXX035-035 S	Chips	15	150	50	1000	55	Die
MC2SXXX040-040 S	Chips	20	200	50	1000	55	Die
MC2SXXX050-050 S	Chips	25	250	50	1000	55	Die
MC2SXXX055-055 S	Chips	25	300	50	1000	55	Die
MC2SXXX060-060 S	Chips	35	375	50	1000	55	Die
MC2SXXX070-070 S	Chips	50	550	50	1000	55	Die
MC2SXXX080-080 S	Chips	70	700	50	1000	55	Die
MC2RXXX097-107 S	Chips	100	999	50	1000	55	Die
MC2RXXX099-138 S	Chips	100	999	50	1000	55	Die
MC2SXXX100-100 S	Chips	100	999	50	1000	55	Die
MC2RXXX127-145 S	Chips	200	1800	50	1000	55	Die
MC2RXXX142-160 S	Chips	200	2200	50	1000	55	Die
MC2B0.8020-020 S	Binary Chip	1.2	1.8	50	1000	55	C20
MC2B002020-020 S	Binary Chip	3	4.5	50	1000	55	C20
MC2B004020-020 S	Binary Chip	6.4	9.6	50	1000	55	C20
MC2B008020-020 S	Binary Chip	12	18	50	1000	55	C20
MC2B016020-020 S	Binary Chip	24	36	50	1000	55	C20

Filters/Diplexers

Part Number	Description	Min Freq (MHz)	Max Freq (MHz)	Insertion Loss (dB)	Rejection (dB)	Crossover Freq (dB)	Package
MAFL-011082	Reflection-less Low Pass Filter	5	684		0.75	24	
MAFLCT0066	CATV Diplex Filter	5	870	0.8	46	30/46	SMT
MAFLCT0083	CATV Diplex Filter	5	860	0.9	59	65/94	
MAFLES0102	CATV Diplex Filter	5	870	1	45	42/54	
MAFL-011013	Broadband CATV Diplexer 5 - 42 / 54 - 1000 MHz	5	1000	0.5	50	42/54	
MAFL-011013	Broadband CATV Diplexer 5 - 42 / 54 - 1000 MHz	5	1000	0.5	50	42/54	
MAFL-009511-CD0A10	CATV Diplex Filter 5 - 42 / 52 - 1000MHz	5	1000	0.5	55	42/52	
MAFL-007529-CD0550	CATV Diplex Filter	5	1000	0.5	—	36/48	30 x 30 mm
MAFL-009055-CD4254	Broadband CATV Diplexer	5	1000	0.5	55	42/54	SMT
MAFL-007988-CD0550	CATV Diplex Filter 5 - 65 / 88 - 1000 MHz	5	1000	0.5	50	65/88	
MAFL-009593-CD0A10	CATV Diplex Filter	5	1000	1	57	65/86	
MAFL-010467-CD0B20	CATV Diplexer	5	1002	1.5	60	65/108	SMT
MAFL-011024	Broadband CATV Diplexer	5	1002	0.5	50	85/108	SMT
MAFL-011025	Broadband CATV Diplexer 5 - 65 / 108 - 1002 MHz	5	1002	0.5	50	65/108	SMT
MAFL-010465-CD0B20	Filter, MoCA Diplexer 5 - 42 / 88 - 1002 MHz	5	1002	1.8	64	42/88	SMT
MAFL-011015	CATV Diplex Filter 5 - 42 / 54 - 1002 MHz	5	1002	0.5	—	42/54	SMT
MAFL-011014	CATV Diplex Filter 5 - 65 / 88 - 1002MHz	5	1002	0.5	55	65/88	SMT
MAFL-011027	Vertical Plug-in	5	1002	1.2	45	85/102	
MAFLCT0068	CATV Diplex Filter 5 - 42 / 54 - 1100MHz	5	1100	1.2	50	42/54	SMT
MAFL-008098-CD0550	CATV Diplex Filter 5 - 42 / 54 - 1100 MHz	5	1100	0.5	50	42/54	
MAFL-011078	CATV Diplex Filter 5 - 42 / 54 - 1218 MHz	5	1218	0.5	50	42/54	
MAFL-011047	Plug-and-Play Horizontal Filter, 5 - 42 / 54 - 1218 MHz	5	1218	1	—	42/54	31 x 27.8 mm
MAFL-011048	Plug-and-Play Horizontal Filter	5	1218	1	—	42/54	31 x 27.8 mm
MAFL-011049	Plug-and-Play Horizontal Filter, 5 - 65 / 86 - 1218 MHz	5	1218	1	—	65/85	31 x 27.8 mm
MAFL-011050	Plug-and-Play Horizontal Filter, 5 - 65 / 86 - 1218 MHz	5	1218	1	—	65/85	31 x 27.8 mm
MAFL-011051	Plug-and-Play Horizontal Filter, 5 - 85 / 102 - 1218 MHz	5	1218	1.4	—	85/102	31 x 27.8 mm
MAFL-011052	Plug-and-Play Horizontal Filter	5	1218	1.4	—	85/102	31 x 27.8 mm
MAFL-011053	Plug-and-Play Horizontal Filter, 5 - 204 / 258 - 1218 MHz	5	1218	1	—	204/258	31 x 27.8 mm
MAFL-011054	Plug-and-Play Horizontal Filter	5	1218	1	—	204/258	31 x 27.8 mm
MAFL-011055	Surface Mount DOCSIS 3.1 Diplex Filter, 5 - 42 / 54 - 1218 MHz	5	1218	0.5	50	42/54	30 x 30 mm
MAFL-011057	Surface Mount DOCSIS 3.1 Diplex Filter, 5 - 85 / 102 - 1218 MHz	5	1218	0.5	50	85/102	30 x 30 mm
MAFL-011059	Plug-and-Play Vertical Filter	5	1218	1	—	42/54	50.8 x 19.05 mm
MAFL-011060	Plug-and-Play Vertical Filter	5	1218	1	—	65/85	50.8 x 19.05 mm
MAFL-011061	Plug-and-Play Vertical Filter	5	1218	1	—	85/102	50.8 x 19.05 mm
MAFL-011062	Plug-and-Play Vertical Filter	5	1218	1	—	204/258	50.8 x 19.05 mm
MAFL-011077	CATV Diplex Filter	5	1218	1.4	50	85/102	SMT
MAFL-011081	Surface Mount DOCSIS 3.1 Diplex Filter, 5-204 / 208 MHz	5	1218	0.5	50	204/208	SMT
MAFLCT0081	CATV Bandpass Filter 50 - 870 / 975 - 1025 / 1125 - 1425 MHz	50	1425	1.1	56	870/1125	SMT
MAFL-009217-CD0ACO	CATV Diplex Filter 5 - 864 / 1128 - 1525 MHz	5	1525	1	44	864/1128	SMT
MAFL-008070-CLOAD0	CATV MoCA Low Pass Filter 50 - 870 / 975 - 1525 MHz	50	1525	1.8	30	—	SMT
MAFL-010464-CD0B20	CATV Diplexer 35 x 25mm, SMT	5	1525	1.8	60	42/88	SMT
MAFL-010101-CBOADO	MoCA Band Pass Filter 1125 - 1550 MHz	1125	1550	1.7	40	1125/1550	SMT
MAFL-009906-CLOAD0	MoCA Low Pass Filter 5 - 1550 MHz	5	1550	1	32	—	SMT
MAFL-010256-CBOADO	MoCA Band Pass Filter 1125 - 1550 MHz	1125	1550	1.7	38	1125/1550	SMT
MAFL-008290-CD0ACO	CATV Diplex Filter 5 - 1002 / 1125 - 1550 MHz	5	1550	1.7	40	1002/1125	SMT
MAFL-010412-CLOAD0	MoCA Low Pass Filter	5	1550	1.5	37	5 - 1002	15 x 15 mm

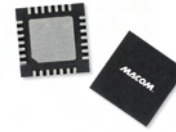
Filters/Diplexers (continued)

Part Number	Description	Min Freq (MHz)	Max Freq (MHz)	Insertion Loss (dB)	Rejection (dB)	Crossover Freq (dB)	Package
MAFL-011018	MoCA Triplex Filter 5-42 / 54-1002 / 1125-1675 MHz	5	1675	1.2	70	42/54 & 1002/1125	SMT
MAFL-011023	MoCA Triplex Filter 5-65 / 88-1002 / 1125-1675 MHz	5	1675	1.2	50	65/88 & 1002/1125	SMT
MAFL-011026	MoCA Triplex Filter 5-85 / 105-1002 / 1125-1675 MHz	5	1675	1.2	70	85/105 & 1002/1125	SMT
MAFL-011012	CATV Diplex Filter 5-1002 / 1125-1675 MHz	5	1675	1.5	39	1002/1125	SMT
MAFL-009272-CDOACO	Diplexer	5	1675	1.7	40	1002/1125	
MAFL-011030	CATV Diplexer, 5-1218 / 1350-1700 MHz	5	1700	1.5	45	1218/1350	
MAFL-010140-CTOC60	MoCA Triplex Filter 5-2000 MHz	5	2000	1.5	62	42/52 & 1002/1125	SMT
MAFL-010608	SAT Diplexer	350	3000	2.5	35	875/950	
MAFL-011003	MoCA Band Pass Filter	500	3000	2	37	650 - 875	15 x 15 mm
MAFL-010670-CB0ADO	MoCA Band Pass Filter 500-3000 MHz	350	3000	2	50	650/875	SMT
MAFL-010639-CB0ADO	MoCA Band Pass Filter 500-3000 MHz	500	3000	2	40	650/875	
MAFL-009478-CDOACO	MoCA Diplex Filter	50	3000	1.5	40	870/950	
MAFL-010609	SAT Triplexer	500	4500	2.5	40	1450/1650 & 2150/2500	

MACOM Frequency Generation Products

Leading-edge solutions for challenging communications needs

MACOM voltage controlled oscillators (VCOs) generate frequency in aerospace and defense, point-to-point microwave backhaul, and other commercial communications applications. IC VCOs support a variety of applications operating between the 500 to 14400 MHz frequency range.



Featuring low phase noise, stable performance over temperature, low power consumption, and highly linear tuning, MACOM's VCOs provide leading edge solutions for challenging communications needs.

VCOs

- > Low phase noise
- > Wide tuning range
- > Low power consumption
- > Bandwidths greater than 10%
- > RoHS compliant package

NLTL GaAs Comb Generators

- > Superior phase noise performance up to -18 dBc/Hz better than a SRD
- > Usable harmonics out to 50 GHz
- > Available in SMT or connectorized packages



Voltage Controlled Oscillators (VCOs)

Part Number	Min Freq (MHz)	Max Freq (MHz)	Phase Noise at 10 kHz Offset (Vt=5V)(dBc/Hz)	Phase Noise at 100 kHz Offset (Vt=5V)(dBc/Hz)	Pout at Fo (dBm)	DC Current (mA)	Package
MAOC-011030	5458	6129	-93	-117	14	185	5 mm PQFN-32
MAOC-009259	5700	6400	-93	-117	12	190	5 mm PQFN-32
MAOC-009260	6100	7000	-92	-117	8.5	205	5 mm PQFN-32
MAOC-009261	7100	7900	-93	-116	10	180	5 mm PQFN-32
MAOC-009262	7400	8210	-92	-117	14	170	5 mm PQFN-32
MAOC-009263	7800	8700	-90	-115	10.5	180	5 mm PQFN-32
MAOC-010334	8400	9250	-88	-115	10	168	5 mm PQFN-32
MAOC-009264	8800	9800	-88	-115	9	185	5 mm PQFN-32
MAOC-009871	9200	10200	-86	-113	7	185	5 mm PQFN-32
MAOC-009265	9400	10800	-86	-113	8.5	175	5 mm PQFN-32
MAOC-009266	10200	11300	-87	-114	8.5	200	5 mm PQFN-32
MAOC-009872	11000	11800	-83	-112	7	165	5 mm PQFN-32
MAOC-009267	11200	12600	-82	-112	6	175	5 mm PQFN-32
MAOC-009269	11400	12800	-83	-110	5	180	5 mm PQFN-32
MAOC-009270	12200	13800	-78	-107	6.5	165	5 mm PQFN-32
MAOC-009268	12700	14200	-79	-108	9	165	5 mm PQFN-32
MAOC-011027	13400	14400	-79	-108	8	205	5 mm PQFN-32

NLTL GaAs Comb Generators

Part Number	Power Min (dBm)	Power Max (dBm)	Output Harmonics 1	Output Harmonics 2	Output Harmonics 3	Package
MLPNC-7102-SMA800 S	21 @ 400 MHz	23 @ 600 MHz	> -8 @ 4 GHz	> -16 @ 12 GHz	> -20 @ 20 GHz	SMA800
MLPNC-7102-SMT680	21 @ 400 MHz	23 @ 600 MHz	> -8 @ 4 GHz	> -16 @ 12 GHz	> -20 @ 20 GHz	SMT680
MLPNC-7103-SMA800 S	21 @ 800 MHz	23 @ 1300 MHz	> -5 @ 6 GHz	> -15 @ 18 GHz	> -20 @ 30 GHz	SMA800
MLPNC-7103-SMT680	21 @ 800 MHz	23 @ 1300 MHz	> -5 @ 6 GHz	> -15 @ 18 GHz	> -20 @ 30 GHz	SMT680
MLPNC-7100SI-SMA800 S	18 @ 75 MHz	24 @ 250 MHz	> -15 @ 1 GHz	> -18 @ 2 GHz	> -24 @ 4 GHz	SMA800
MLPNC-7100SI-SMT580	18 @ 75 MHz	24 @ 250 MHz	> -15 @ 1 GHz	> -18 @ 2 GHz	> -24 @ 4 GHz	SMT580
MLPNC-7100-SMA850 S	20 @ 100 MHz	24 @ 400 MHz	> -8 @ 4 GHz	> -18 @ 12 GHz	> -35 @ 20 GHz	SMA850
MLPNC-7100-SMT680	20 @ 100 MHz	24 @ 400 MHz	> -8 @ 4 GHz	> -16 @ 12 GHz	> -35 @ 20 GHz	SMT680
MLPNC-7102SI-SMA800 S	18 @ 300 MHz	24 @ 700 MHz	> -10 @ 4 GHz	> -15 @ 8 GHz	> -22 @ 12 GHz	SMA800
MLPNC-7102SI-SMT580	18 @ 300 MHz	24 @ 700 MHz	> -10 @ 4 GHz	> -15 @ 8 GHz	> -22 @ 12 GHz	SMT580
MLPNC-7103SI-SMA800 S	18 @ 600 MHz	24 @ 1500 MHz	> -10 @ 4 GHz	> -8 @ 8 GHz	> -20 @ 15 GHz	SMA800
MLPNC-7103SI-SMT580	18 @ 600 MHz	24 @ 1500 MHz	> -10 @ 4 GHz	> -8 @ 8 GHz	> -20 @ 15 GHz	SMT580

Note: Part numbers are RoHS compliant **S** indicates these parts are also available with Space and Hi-Rel Screening & Qualification. Detailed specifications can be found quickly on our website at macom.com by typing the part number into the search box. All specifications are subject to change.

A Spectrum of Aerospace and Defense Solutions

Discrete components, MMICs, and integrated modules

MACOM continues to build upon our legacy of providing high-reliability semiconductor products to the Aerospace and Defense industry by adding to our product portfolio and capabilities. MACOM's standard line of RF and microwave components provides solutions to meet the requirements commonly found on airborne applications, high MTBF ground-based equipment, and space applications.

From our DLA-Certified and US Trusted Foundry in Lowell, Massachusetts, we continue to improve our ability to provide the highest quality aerospace and defense products.

When program screening requirements call for more than MACOM's standard catalog screening, custom screening programs can be created by adding screening options or by generating a program specific sequence.

MACOM's Space & High-Reliability Evolution

Watkins Johnson Company/Stellex Microwave Systems/Tyco Electronics/Anzac/RHG/Phoenix Microwave/Metelics/Micrometrics/Hi-Rel Components & MACOM

1960s

- > Pioneered production of TWT's for Pioneer, Voyager, and DSCS satellites

1970s

- > First solid state flight qualified production amplifiers and mixers

1980s / 1990s / through today

- > Participated in more than 85 programs (USA & International)
- > Provided hundreds of space qualified solid state space component models

Hi-Reliability Catalog Screened Products

- > 40+ year history of proven Hi-Rel manufacturing processes supporting both thin film & solder circuit assemblies
- > Same proven manufacturing processes as used in equivalent component designs for custom military and space programs
- > Long established cost effective standardized screening programs for catalog products available in a variety of hermetically sealed metal package styles
- > Available for screening: hybrid amplifiers, hybrid mixers, switches, diodes
- > MACOM has an extensive "in-house" environmental screening capability
- > US Screening Lab to perform specific environmental test requirements
- > Working to expand our partner network
- > Custom environmental screening plans available for hermetically-sealed, packaged products (MIL-PRF-19500, MIL-PRF-38534, MIL-DTL-28837B, MIL-STD-202, etc.)

Please contact your local sales representative to discuss any environmental screening options.

General Purpose Gain Block Hybrid Amplifiers

Part Number	Min Frequency (MHz)	Max Frequency (MHz)	Gain (dB)	OIP3 (dBm)	Package
SMPA511	10	500	12.7	40	SMT
EA54	5	250	27	16	TO-5
A75-2	5	250	21	19	TO-8
CA181	10	250	16.5	35	Connectorized-SMA
SMA181	10	250	16.5	35	SMT
A181	10	250	16.5	35	TO-8
CA79	5	300	14	38	Connectorized-SMA
A79	5	300	14	38	TO-8
SMA79	5	300	14	38	SMT
A56	5	400	26	27	TO-8
EA2	5	400	13.5	21	TO-5
SMA87	10	400	14	33	SMT
A87	10	400	14	33	TO-8
CA87	10	400	14	33	Connectorized-SMA
AMC-151-SMA	5	500	12	36	Connectorized-SMA
SMRA89	5	500	26.5	35	SMT
SMA74-2	5	500	26	10	SMT
A5	5	500	14.8	22	TO-8
EA54-2	5	500	29.5	20	TO-5
A74-2	5	500	26	10	TO-8
A72	5	500	15	26	TO-8
SMA72	5	500	15	26	SMT
A77	5	500	16.5	30	TO-8
A88	5	500	18.7	30	TO-8
SMA77	5	500	16.5	30	SMT
SMA88	5	500	18.7	30	SMT
RA89	5	500	26.5	35	TO-8
A54	5	500	15.5	21	TO-8
CA77	5	500	16.5	30	Connectorized-SMA
CRA89	5	500	26.5	35	Connectorized-SMA
AMC-146-SMA	10	500	21	35	Connectorized-SMA
MAAM-007502-SPA512	10	500	18	40	SMT-TO-8
PA511	10	500	12.7	40	TO-8
A57	10	500	14.7	28	TO-8
SMA57	10	500	14.7	28	SMT
SMA513	10	500	20	30	SMT
A55	10	500	14.7	24	TO-8
RA89-1	10	500	30	36	TO-8
SMRA89-1	10	500	30	36	SMT
PA512	10	500	18	40	TO-8
CRA89-1	10	500	30	36	Connectorized-SMA
MAAM-007502-CPA512	10	500	18	40	Connectorized-SMA
MAAM-008200-000A83	10	500	30	10	TO-8
SMA77-1	5	600	16	30	SMT
A77-1	5	600	16	30	TO-8
CA77-1	5	600	16	30	Connectorized-SMA
A5-6	6	600	15.5	21	TO-8

Note: Part numbers are RoHS compliant
Detailed specifications can be found quickly on our website at macom.com by typing the part number into the search box.
All specifications are subject to change.

General Purpose Gain Block Hybrid Amplifiers (continued)

Part Number	Min Frequency (MHz)	Max Frequency (MHz)	Gain (dB)	OIP3 (dBm)	Package
SMA5-6	6	600	16	21	SMT
A59-1	10	700	10.5	36	TO-8
SMA59-1	10	700	10.5	36	SMT
A89	50	800	22	30	TO-8
SMA89	100	800	22	30	SMT
AMC-184-SMA	5	1000	20	20	Connectorized-SMA
AMC-145-SMA	10	1000	10.7	32	Connectorized-SMA
CA17	10	1000	12	27	Connectorized-SMA
CA1021	10	1000	26	26	Connectorized-SMA
CRA69	10	1000	25	34	Connectorized-SMA
CRA66	10	1000	37	30	Connectorized-SMA
CA66-1	10	1000	27.5	28	Connectorized-SMA
SMA1021	10	1000	26	26	SMT
RA66	10	1000	37	30	TO-8
SMRA69	10	1000	25	34	SMT
SMA17	10	1000	12	27	SMT
A17	10	1000	12	27	TO-8
A66-1	10	1000	27.5	28	TO-8
SMA66-1	10	1000	27.5	28	SMT
RA69	10	1000	25	34	TO-8
A19-1	10	1000	11.5	35	TO-8
SMA19-110	10	1000	11.5	35	SMT
CA19-1	10	1000	11.5	35	Connectorized-SMA
A1021	10	1000	26	26	TO-8
SMRA66	10	1000	37	30	SMT
AMC-155-SMA	300	1000	12.3	30	Connectorized-SMA
CA66	10	1200	23.5	28	Connectorized-SMA
CA64	10	1200	26	20	Connectorized-SMA
SMA66	10	1200	23.5	28	SMT
SMA64	10	1200	26	20	SMT
A64	10	1200	26	20	TO-8
A66	10	1200	23.5	28	TO-8
CA24	5	1500	10	21	TO-8
A24	5	1500	20	21	TO-8
SMA24	5	1500	20	21	SMT
A27	5	1500	8.5	28	TO-8
SMA28	10	1500	11	29	SMT
CA26	10	1500	20.5	27	Connectorized-SMA
SMA29-1	10	1500	9	32	SMT
A26	10	1500	20.5	27	TO-8
A28	10	1500	11	29	TO-8
A29-1	10	1500	9	32	TO-8
SMA26	10	1500	20.5	27	SMT

Note: Part numbers are RoHS compliant
Detailed specifications can be found quickly on our website at macom.com by typing the part number into the search box.
All specifications are subject to change.

General Purpose Gain Block Hybrid Amplifiers (continued)

Part Number	Min Frequency (MHz)	Max Frequency (MHz)	Gain (dB)	OIP3 (dBm)	Package
CA28	10	1500	11	29	Connectorized-SMA
CA29-1	10	1500	9	32	Connectorized-SMA
A38	10	2000	9.5	30	TO-8
CA38	10	2000	9.5	30	Connectorized-SMA
SMA39	10	2000	7.5	34	SMT
SMA35	10	2000	10	21	SMT
A39	10	2000	7.5	34	TO-8
SMA38	10	2000	9.5	30	SMT
SMPA511	10	500	12.7	40	SMT
SMA37	10	2000	10	28	SMT
A37	10	2000	10	28	TO-8
A35	10	2000	10	21	TO-8
CA35	10	2000	10	21	Connectorized-SMA
CRA36	100	2000	24	22	Connectorized-SMA
SMA36	100	2000	16.5	23	SMT
RA36	100	2000	24	22	TO-8
A34	100	2000	16	18	TO-8
A36	100	2000	16.5	23	TO-8
SMRA36	100	2000	24	22	SMT
SMA34	100	2000	16	18	SMT
SMPA2010	200	2000	10	33	SMT
CA36-1	100	2300	16.2	23	Connectorized-SMA
A36-1	100	2300	16.2	23	TO-8
SMA36-1	100	2300	16.2	23	SMT
A33-1	2	2400	9	19	TO-8
SMA33-1	2	2400	9	19	SMT
CA33-1	2	2400	9	19	Connectorized-SMA
CA3010	0	2500	9.5	35	Connectorized-SMA
MAAM-007947-CA3602	100	2600	15	30	Connectorized-SMA
A36-2	100	2600	15	30	TO-8
SMA36-2	100	2600	15	30	SMT
PA38-2	200	2600	8.5	33	TO-8
SMPA38-2	200	2600	8.5	33	SMT
A43	100	3200	11.5	21	TO-8
SMA43	100	3200	11.5	21	SMT
CPA48	1000	4000	16	34	Connectorized-SMA
RA46	0	4000	25.5	30	TO-8
SMPA48	1000	4000	16	34	SMT
PA48	1000	4000	16	34	TO-8
SMRA46	1000	4000	25.5	30	SMT
SMRA62	2000	6000	16	28	SMT
AM42-0039	5900	7100	33	45	CR-15
AM42-0007	14000	14500	22	41	R380/CR15
AM42-0002	14000	14500	22	39	R380/CR15

Note: Part numbers are RoHS compliant
Detailed specifications can be found quickly on our website at macom.com by typing the part number into the search box.
All specifications are subject to change.

Low Noise Hybrid Amplifiers

Part Number	Min Freq (MHz)	Max Freq (MHz)	Gain (dB)	Noise Figure (mA)	OIP3 (dBm)	Package
AMC-162-SMA	10	100	12.5	1.5	30	Connectorized-SMA
AMS-162-PIN	10	100	12.5	1.5	30	SF-1
AM-162-PIN	10	100	12.5	1.1	32	TO-8
A101	5	100	17	3	36	TO-8
SMA101	5	100	17	3	36	SMT
MAAM-007844-OCA801	10	200	27.3	2	28	Connectorized-SMA
A80-1	10	200	27.3	2	28	TO-8
SMA80-1	10	200	27.3	2	28	SMT
A82-1	20	250	19	2.8	26	TO-8
SMA82-1	20	250	19	2.8	26	SMT
CA82	20	250	25	2.8	31	Connectorized-SMA
SMA82	20	250	25	2.8	31	SMT
SMA81-1	20	250	25	2.5	27	SMT
SMA81	20	250	24.5	2.6	28	SMTO-8
A81-1	20	250	25	2.5	27	TO-8
A70-3	20	250	8	2.8	40	TO-8
A82	20	250	25	2.8	31	TO-8
A81	20	250	25.5	3	28	TO-8
SMA70-1	10	250	8	1.8	28	SMT
CA83-1	10	250	35.5	2.5	9	Connectorized-SMA
SMA70	10	250	8	1.6	24	SMT
A70-1	10	250	8	1.8	28	TO-8
CA231	10	250	26	1.7	22	Connectorized-SMA
A231	10	250	26	1.7	22	TO-8
A70	10	250	8	1.6	24	TO-8
SMA83-1	10	250	35.5	2.5	9	SMT
SMA231	10	250	26	1.7	22	SMT
CA70-2	10	250	8	2.2	38	Connectorized-SMA
A70-2	10	250	8	2.2	38	TO-8
A83-1	10	250	35.5	2.5	9	TO-8
A74-1	5	250	31	4.5	21	TO-8
SMA70-3	15	300	8	2.8	40	SMTO-8
SMA87-2	10	300	16	2.9	24	SMT
A87-2	10	300	16	2.9	24	TO-8
SMA70-2	10	300	8	2.2	38	SMTO-8
CA78	5	300	14	3.5	35	Connectorized-SMA
A78	5	300	14	3.5	35	TO-8
SMA78	5	300	14	3.5	35	SMT
PAW1027	35	350	38.5	3.7	43	SOT115J
CA87-1	10	400	16	3.4	31	Connectorized-SMA
SMA411	10	400	15.8	3	24	SMT
SMA87-1	10	400	16	3.4	31	SMT
A87-1	10	400	16	3.4	31	TO-8
A411	10	400	15.8	3	24	TO-8
MAAM-008199-000A51	10	400	15	2.7	10	TO-8
EA1	5	400	14	4.3	13	TO-5
CA81-2	20	500	24.5	3	28	Connectorized-SMA

Note: Part numbers are RoHS compliant
Detailed specifications can be found quickly on our website at macom.com by typing the part number into the search box.
All specifications are subject to change.

Low Noise Hybrid Amplifiers (continued)

Part Number	Min Freq (MHz)	Max Freq (MHz)	Gain (dB)	Noise Figure (mA)	OIP3 (dBm)	Package
SMA81-2	20	500	24.5	3	28	SMT
A80	20	500	29	2.3	27	TO-8
A81-2	20	500	24.5	3	28	TO-8
A81-3	20	500	17	4	20	TO-8
CA511	10	500	17	3.4	33	Connectorized-SMA
CA531	10	500	31.7	2	14	Connectorized-SMA
CA180	10	500	16.5	3.4	33	Connectorized-SMA
SMA75-3	10	500	20.5	1.7	16	SMT
A75-3	10	500	20.5	1.7	16	TO-8
A531	10	500	31.7	2	14	TO-8
A180	10	500	16.5	3.4	33	TO-8
A511	10	500	17	3.4	33	TO-8
SMA180	10	500	16.5	3.4	33	SMT
MAAM-007272-SMA514	5	500	28	4	32	SMT0-8
CA180	10	500	16.5	3.4	33	Connectorized-SMA
MAAM-007272-OCA515	5	500	27.5	3.5	33	Connectorized-SMA
CA74	5	500	30	3	20	Connectorized-SMA
AMC-147-SMA	5	500	17	3.4	33	Connectorized-SMA
AMC-143-SMA	5	500	15.8	2.5	20	Connectorized-SMA
AM-131-PIN	5	500	11.5	4	34	TO-8
AMC-123-SMA	5	500	10	5.5	30	Connectorized-SMA
MAAM-007272-SMA515	5	500	27.5	3.5	33	SMT0-8
A515	5	500	27.5	3.5	33	TO-8
CA75	5	500	21	2.1	21	Connectorized-SMA
CA76	5	500	28	3	28	Connectorized-SMA
A76	5	500	28	3	28	TO-8
SMA59	5	500	11.5	4.3	36	SMT
SMA75	5	500	21	2.1	21	SMT
SMA74	5	500	30	3	20	SMT
SMA58	5	500	11.5	4	34	SMT
EA53-2	5	500	19	3.6	24	TO-5
A74	5	500	30	3	20	TO-8
SMA73	5	500	32	3.5	15	SMT
A58	5	500	11.5	4	34	TO-8
SMA1	5	500	16	2.4	11	SMT
A1	5	500	16	2.4	11	TO-8
A73	5	500	32	3.5	15	TO-8
A75	5	500	21	2.1	21	TO-8
SMA76	5	500	28	3	28	SMT
SMA76-1	5	500	27.5	3	26	SMT
A59	5	500	11.5	4.3	36	TO-8
A76-1	5	500	27.5	3	26	TO-8
A514	5	500	28	4	32	TO-8
MAAM-007272-OCA514	5	500	28	4	32	Connectorized-SMA
SMA80	10	550	29	2.3	27	SMT0-8

Note: Part numbers are RoHS compliant
Detailed specifications can be found quickly on our website at macom.com by typing the part number into the search box.
All specifications are subject to change.

Low Noise Hybrid Amplifiers (continued)

Part Number	Min Freq (MHz)	Max Freq (MHz)	Gain (dB)	Noise Figure (mA)	OIP3 (dBm)	Package
SMA67-1	10	600	15	3.7	30	SMT
CA67-1	10	600	15	3.7	30	Connectorized-SMA
A67-1	10	600	15	3.7	30	TO-8
A611	5	700	15	3.2	24	TO-8
SMA611	5	700	15	3.2	24	SMT
A67	10	800	14	4	30	TO-8
CA66-3	10	1000	26	3	13	Connectorized-SMA
SMA66-3	10	1000	26	3	13	SMT
SMA1031	10	1000	28.5	2.7	22	SMT
A12	10	1000	16	2.8	22	TO-8
A66-3	10	1000	26	3	13	TO-8
A1031	10	1000	28.5	2.7	22	TO-8
A18-1	10	1000	14.7	3.8	30	TO-8
CA18-1	10	1000	14.7	3.8	30	Connectorized-SMA
SMA18-1	10	1000	14.7	3.8	30	SM
AMC-176-SMA	5	1000	13.2	4	27	Connectorized-SMA
A11	5	1000	14.7	3.1	10	TO-8
SMA11-2	5	1000	16	2.5	10	SMT
A63	5	1000	16	3	15	TO-8
AMC-182-SMA	5	1000	28.2	3.5	20	Connectorized-SMA
SMA63	5	1000	16	3	15	SMT
CA1212	100	1200	14	1.8	29	Connectorized-SMA
A1212	100	1200	14	1.8	29	TO-8
SMA1212	100	1200	14	1.8	29	SMT
MAAM-008198-SMA162	10	1200	13	3.5	18	SMTO-8
SMA1211	10	1200	14	2.8	20	SMT
CA12	10	1200	14	2.8	20	Connectorized-SMA
A1211	10	1200	14	2.8	20	TO-8
MAAM-008198-OCA162	10	1200	13	3.5	18	Connectorized-SMA
CA28-2	10	1500	14	3.5	24	Connectorized-SMA
A28-2	10	1500	14	3.5	24	TO-8
SMA28-2	10	1500	14	3.5	24	SMT
A25-1	2	1500	13.5	3	22	TO-8
PA38	200	2000	10	4	34	TO-8
CPA38	200	2000	10	4	34	Connectorized-SMA
SMPA38	200	2000	10	4	34	SMT
CA32	100	2000	13	2.1	32	Connectorized-SMA
SMA32	100	2000	13	2.1	32	SMT
SMA32-1	100	2000	11.5	2.5	25	SMT
A32-1	100	2000	11.5	2.5	25	TO-8
A32	100	2000	13	2.1	32	TO-8
CA32-1	100	2000	11.5	2.5	25	Connectorized-SMA
A31-1	10	2000	11.5	3.5	9	TO-8

Note: Part numbers are RoHS compliant
Detailed specifications can be found quickly on our website at macom.com by typing the part number into the search box.
All specifications are subject to change.

Low Noise Hybrid Amplifiers (continued)

Part Number	Min Freq (MHz)	Max Freq (MHz)	Gain (dB)	Noise Figure (mA)	OIP3 (dBm)	Package
MAAM-007501-0A2002	20	2700	11.5	2.5	40	TO-8
MAAM-007501-CA2002	20	2700	11.5	2.5	40	Connectorized-SMA
MAAM-007501-SA2002	20	2700	11.5	2.5	40	SMTO-8
SMA45	1000	4000	17.5	4	29	SMT
CA45	1000	4000	17.5	4	29	Connectorized-SMA
A45-1	1000	4000	17.5	4	26	TO-8
SMA4012	1000	4000	18	3.5	26	SMT
A4012	1000	4000	18	3.5	26	TO-8
A4011	1000	4000	15.5	2	29	TO-8
SMA45-1	1000	4000	17.5	4	26	SMT
A45	1000	4000	17.5	4	29	TO-8
SMA4011	1000	4000	15.5	2	29	SMT
A61	2000	6000	7.5	3.2	25	TO-8
A6011	2000	6000	14.8	1.5	30	TO-8
SMA61	C2000	6000	7.5	3.2	25	SMT
CA6011	2000	6000	14.8	1.5	30	Connectorized-SMA
SMA6011	1500	6000	14.8	1.5	30	SMTO-8

Mixers

Part Number	Min Freq RF/RO (MHz)	Max Freq RF/RO (MHz)	Min Freq IF (MHz)	Max Freq IF (MHz)	Package
M6D-50	0.05	200	0	200	Relay Header
MAC-50-PIN	0.2	200	0	200	TO-5
MDS-222-PIN	0.2	200	0.2	200	SF-1
SM6D	0.05	200	0	200	SMT
M6E-50	5	500	0	500	Relay Header
M9BC	0.5	500	0	500	Relay Header
MAC-51-PIN	5	500	0	500	TO-5
MD-161-PIN	1	500	0	500	FP-2
MDS-223-PIN	10	500	10	500	SF-1
SM6V	0.4	500	0	500	SMT
M1H	180	620	0	200	SMA
M6EH	5	750	0	500	Relay Header
SM6EH	5	750	0	500	SMT
M2E	10	1000	0	600	TO-8
M2EC	10	1000	0	600	SMA
SM2E	10	1000	0	600	SMT
M2AC	10	1500	0	800	SMA
M4A	10	1500	0	1000	Flatpack-SMT
M9H	10	1500	0	600	TO-8
M9HC	10	1500	0	600	SMA
MD-148-PIN	10	1500	10	1500	FP-2
MD-149-PIN	10	1500	10	1500	FP-2
MD-149-PIN	102	1500	102	1500	FPO2

Note: Part numbers are RoHS compliant
Detailed specifications can be found quickly on our website at macom.com by typing the part number into the search box.
All specifications are subject to change.

Mixers (continued)

Part Number	Min Freq RF/RO (MHz)	Max Freq RF/RO (MHz)	Min Freq IF (MHz)	Max Freq IF (MHz)	Package
MD-160-PIN	1	1500	1	1000	RH-3
MDS-148-PIN	10	1500	10	1500	SF-1
MDS-149-PIN	10	1500	10	1500	SF-1
MDS-158-PIN	5	1500	—	—	SF-1
SM4A	10	1500	0	1000	SMT
SM4B	10	1500	0	1000	SMT
M2B	10	1600	0	800	TO-8
M2BC	10	1600	0	800	SMA
M2TC	10	2400	1	1000	SMA
SM4G	800	2400	0	1500	SMT
MD-123-PIN	10	3000	10	3000	FP-2
M4TH	1	3400	1	2000	Flatpack-SMT
M8T	1	3400	1	2000	TO-8
M8TC	1	3400	1	2000	SMA
M8TH	1	3400	1	2000	TO-8
M8THC	1	3400	1	2000	SMA
SM4T	1	3400	1	2000	SMT
SM4T17	1	3400	1	2000	SMT
SM4TH	1	3400	1	2000	SMT
M2G	800	3500	0	1500	TO-8
M2GC	800	3500	0	1500	SMA
MD-169-PIN	1	3500	1	3500	FP-2
MD-189-PIN	1	3500	1	3500	FP-2
MDC-169-SMA	1	3500	1	3500	C-7
MDS-169-PIN	1	3500	5	1500	SF-1
MDS-189-PIN	1	3500	1	3500	SF-1
MD-179-PIN	1	4000	5	1500	FP-2
MDC-179-SMA	1	4000	5	1500	C-7
M8H-3	3700	4200	0	2000	TO-8
SM5T	50	5000	50	3000	SMT
SM5T17	50	5000	50	3000	SMT
SM5TH	50	5000	50	3000	SMT
M63C	2500	5500	0	1500	SMA
MZ6310C	250	5500	0	1500	SMA
M8H-7	2400	6000	0	2000	TO-8
M8HC-7	2400	6000	0	2000	SMA
MDC-162-SMA	1000	7000	10	2000	C-2
MY63	2500	7000	0	15000	Versapac
MY63C	2500	7000	0	15000	SMA
M63H	2500	7500	0	1500	Minpac
M63HC	2500	7500	0	1500	SMA
MY63H	2500	7500	0	1500	Versapac
MY63HC	2500	7500	0	1500	SMA
M76H	4500	8500	0	2000	Minpac
M76HC	4500	8500	0	2000	SMA

Note: Part numbers are RoHS compliant
Detailed specifications can be found quickly on our website at macom.com by typing the part number into the search box.
All specifications are subject to change.

Mixers (continued)

Part Number	Min Freq RF/RO (MHz)	Max Freq RF/RO (MHz)	Min Freq IF (MHz)	Max Freq IF (MHz)	Package
MY76H	4500	8500	0	2000	Versapac
MY76HC	4500	8500	0	2000	SMA
M76	4500	9500	0	2000	Minpac
M76C	4500	9500	0	2000	SMA
MY76	4500	9500	0	2000	Versapac
MY76C	4500	9500	0	2000	SMA
MY84	1800	10000	0	1000	Versapac
MY84C	1800	10000	0	1000	SMA
M77C	8000	12500	0	2500	SMA
MY77	8000	12500	0	2500	Versapac
MY77C	8000	12500	0	2500	SMA
M14A	6000	14000	0	2000	SMA
M67C	9000	15000	0	2500	SMA
M50A	2000	18000	2000	18000	Minpac
M50AC	2000	18000	2000	18000	SMA
M74	7000	18000	0	3000	Minpac
M74C	7000	18000	0	3000	SMA
M79C	5000	18000	0	3000	SMA
M79H	5000	18000	0	3000	Minpac
M79HC	5000	18000	0	3000	SMA
M80C	4000	18000	0	3000	SMA
M83	1000	18000	30	5000	Minpac
M83C	1000	18000	30	5000	SMA
M85	2000	18000	0	1000	Minpac
M85C	2000	18000	0	1000	SMA
M86C	3500	18000	0	3000	SMA
M88C	2000	18000	1000	8000	SMA
M88H	2000	18000	2000	8000	Minpac
M79C	5000	18000	0	3000	SMA
M79H	5000	18000	0	3000	Minpac
M79HC	5000	18000	0	3000	SMA
M80C	4000	18000	0	3000	SMA
M83	1000	18000	30	5000	Minpac
M83C	1000	18000	30	5000	SMA
M85	2000	18000	0	1000	Minpac
M85C	2000	18000	0	1000	SMA
M86C	3500	18000	0	3000	SMA
M88C	2000	18000	1000	8000	SMA
M88H	2000	18000	2000	8000	Minpac
M88HC	2000	18000	2000	8000	SMA
M89C	1000	18000	1000	8000	SMA
M93C	2000	18000	30	4000	SMA
MY82	2000	18000	30	5000	Versapac
MY82C	2000	18000	30	5000	SMA
MY83H	2	18000	30	5000	Versapac
MY83HC	2	18000	30	5000	SMA

Note: Part numbers are RoHS compliant
Detailed specifications can be found quickly on our website at macom.com by typing the part number into the search box.
All specifications are subject to change.

Mixers (continued)

Part Number	Min Freq RF/RO (MHz)	Max Freq RF/RO (MHz)	Min Freq IF (MHz)	Max Freq IF (MHz)	Package
MY85	2000	18000	0	1000	Versapac
MY85C	2000	18000	0	1000	SMA
MY88	2000	18000	1000	8000	Versapac
MY88C	2000	18000	1000	8000	SMA
MY88HC	1000	18000	1000	8000	SMA
MY89	2000	18000	2000	8000	Versapac
MY89C	2000	18000	2000	8000	SMA
MY93	2000	18000	30	4000	Versapac
MY93C	2000	18000	30	4000	SMA
MZ7407	6000	18000	0	3000	Versapac
MZ7407C	6000	18000	0	3000	SMA
MZ7410	6000	18000	0	3000	Versapac
MZ7410C	6000	18000	0	3000	SMA
MZ7420	6000	18000	0	3000	Versapac
MZ7420C	6000	18000	0	3000	SMA
MZ8810C	2000	18000	1000	8000	SMA
MZ8813	2000	18000	1000	8000	Versapac
MZ9310	2000	18000	30	5000	Versapac
MZ9310C	2000	18000	30	5000	SMA
MZ9313	2000	18000	30	5000	Versapac
MZ9313C	2000	18000	30	5000	SMA
M87C	500	19000	30	5000	SMA
MY87	500	19000	30	5000	Versapac
MY87C	500	19000	30	5000	SMA
M51C	2000	24000	1000	15000	SMA
M52C	2000	24000	100	5000	SMA
MY51	2000	24000	1000	15000	Versapac
MY51C	2000	24000	1000	15000	SMA
MY52	2000	24000	100	5000	Versapac
MY52C	2000	24000	100	5000	SMA
M50C	2000	26000	1000	15000	SMA
M53C	2000	26000	100	6000	SMA
MY50	2000	26000	1000	15000	Versapac
MY50A	2000	26000	1000	12000	Versapac
MY50AC	2000	26000	1000	12000	SMA
MY50C	2000	26000	1000	15000	SMA
MZ5010	2000	26000	1	15000	Versapac
MZ5010C	2000	26000	1	15000	SMA

Note: Part numbers are RoHS compliant
Detailed specifications can be found quickly on our website at macom.com by typing the part number into the search box.
All specifications are subject to change.

Power Dividers

Part Number	Min Freq (MHz)	Max Freq (MHz)	Channels (#)	Amplitude Balance (dB)	Phase Balance (°)	Isolation (dB)	Max Input Power (dBm)	Package
M3H-50-PIN	1	100	3	0.2	1	30	30	TO-5
DS-310-PIN	0	300	4	0.2	4	25	30	FP-5
M3V-50-PIN	50	300	3	0.2	2	25	30	TO-5
DS-113-PIN	0	400	2	0.2	1	25	30	FP-2
DSS-113-PIN	0	400	2	0.2	1	25	30	SF-1
DS-318-PIN	5	500	2	0.2	1	18	30	RH-1
DS-109-PIN	10	500	2	0.2	1	25	30	FP-2
DSS-333-PIN	10	500	2	0.2	2	25	30	SF-1
DS-319-PIN	10	500	2	0.2	1	25	30	TO-8
DS-112-PIN	10	500	3	0.2	2	25	30	TO-5
DS-328-PIN	3	700	3	0.3	3	20	30	TO-8
DSS-327-PIN	5	1000	2	0.2	3	20	30	FP-2
DSS-333-PIN	5	1000	2	0.2	3	20	30	FP-2
DS-323-PIN	25	1000	3	0.4	4	24	30	FP-3
DS-324-PIN	25	1000	4	0.3	6	20	30	FP-5
DS-331-PIN	750	1500	2	0.2	6	10	30	TO-8
DS-313-PIN	10	2000	2	0.3	4	23	24	FP-2
DSS-313-PIN	10	2000	2	0.3	4	23	24	SF-1

Varactor Tuning Diodes

Part Number	Gamma	Total Capacitance (pF)	Quality Factor @ 50 MHz, Min	Breakdown Voltage (V)	Package
MA46603-134	0.5	0.6	6500	30	ODS-134 Die
MA46600-134	0.5	0.3	8000	30	ODS-134 Die
MGV050-18	0.5	0.3	4000	22	C01A
MGV050-18-H20	0.5	0.48	4000	22	H20
MGV050-20	0.5	0.55	4000	22	C01A
MGV050-20-H20	0.5	0.73	4000	22	H20
MGV050-22-H20	0.5	1.18	3000	22	H20
MGV050-24-H20	0.5	1.68	3000	22	H20
MGV050-26	0.5	2	3000	22	C01A
MGV050-26-H20	0.5	2.18	3000	22	H20
MA46H070-1056	0.75	0.6	4500	20	ODS-1056
MA46H072-1056	0.75	3	3000	20	ODS-105
MA46H073-1056	0.75	5	2200	20	ODS-1056
MA46H071-1056	0.75	1	4500	20	ODS-1056
MA46416-134	1.5	1.8	2500	18	ODS-134 Die
MA46418-30	1.5	2.7	1800	18	ODS-30

Note: Part numbers are RoHS compliant
Detailed specifications can be found quickly on our website at macom.com by typing the part number into the search box.
All specifications are subject to change.

Multiplier Step Recovery Diodes

Part Number	Total Capacitance Min (pF)	Total Capacitance Max (pF)	Reverse Voltage (V)	Lifetime (Typ vs Min) (ns)	T _t (Typ vs Max) (ps)	Package
MMDB30-B11	0.15	0.25	14	4	30	B11
MMDB35-B11	0.13	0.20	16	4	35	B11
MMDB45-B11	0.11	0.20	25	8	40	B11
MSD700	0.2	0.4	15	8	60	Die/Various
MSD710	0.2	0.4	20	11	70	Die/Various
MSD720	0.2	0.4	30	17	100	Die/Various
MSD701	0.4	0.6	15	8	60	Die/Various
MSD711	0.4	0.6	20	11	70	Die/Various
MSD731	0.4	0.6	40	21	150	Die/Various
MSD722	0.6	0.8	30	17	100	Die/Various
MSD703	0.8	1	15	8	60	Die/Various
MSD723	0.8	1	30	17	100	Die/Various
MSD733	0.8	1	40	21	150	Die/Various
MSD724	1	1.4	30	17	100	Die/Various
MSD726	2	3	30	17	100	Die/Various
MSD736	2	3	40	21	150	Die/Various
MMD0151-A15	—	0.8	15	—	100	A15
MMD0803-A15	—	6.15	70	—	400	A15
MMD0815-A15	—	4.15	50	—	320	A15
MMD0825-A15	—	2.15	45	—	160	A15
MMD0840-A15	—	0.75	15	—	—	A15
MMD810-C12	1.50	2.50	50	40	250	Die
MMD810-H20	1.68	2.68	50	40	250	H20
MMD810-T86	1.68	2.68	50	40	250	T86
MMD810-T89	1.75	2.75	50	40	250	T89
MMD820-C12	1.00	1.70	40	30	100	Die
MMD820-H20	1.18	1.88	40	30	100	H20
MMD820-T86	1.18	1.88	40	30	100	T86
MMD830-H20	0.68	1.18	25	15	80	H20
MMD830-T86	0.68	1.18	25	10	80	T86
MMD832-C11	0.40	0.80	20	10	80	Die
MMD832-H20	0.58	0.98	20	10	60	H20
MMD832-T86	0.58	0.98	20	10	60	T86
MMD835-C11	0.30	0.70	15	10	70	Die
MMD835-H20	0.42	0.92	15	10	70	H20
MMD835-T86	0.48	0.98	15	10	70	T86
MMD837-C11	0.20	0.40	20	5	70	Die
MMD837-H27	0.32	0.52	20	5	70	H27
MMD837-T86	0.38	0.58	20	5	70	T86
MMD840-C11	0.20	0.40	15	7	70	Die
MMD840-H27	0.32	0.52	15	7	70	H27
MMD840-T86	0.38	0.58	15	7	70	T86

Note: Part numbers are RoHS compliant
Detailed specifications can be found quickly on our website at macom.com by typing the part number into the search box.
All specifications are subject to change.

PIN Switch and Attenuator Diodes

Part Number	Min Freq (MHz)	Max Freq (MHz)	CW Power Dissipation (W)	Total Capacitance (pF)	Resistance (Ω)	T1 (ns)	Breakdown Voltage Min (V)	Package
MA4P606-36	1	500	20	0.99	0.7	4000	1000	ODS-36
MA4P504-255	1	500	7.5	0.4	0.6	1000	500	ODS-255
MA4P505-255	1	500	10.7	0.55	0.5	2000	500	ODS-255
MA4P606-30	1	500	15	0.8	0.7	4000	1000	ODS-30
MA4P604-255	1	500	15	0.6	1	3000	1000	ODS-255
MA4P607-296	1	500	25	2.35	0.4	5000	1000	ODS-296
MA4P504-186	1	500	7.5	0.4	0.6	1000	500	ODS-186
MA4P504-30	1	500	7.5	0.4	0.6	1000	500	ODS-30
MA4P506-30	1	500	13.6	0.95	0.3	3000	500	ODS-30
MA4P506-31	1	500	13.6	0.95	0.3	3000	500	ODS-31
MADP-000015-000030	1	500	15	0.55	0.4	2000	500	ODS-30
IN5719	1	1000	0.3	0.35	1.5	3000	100	ODS-54
MA47266-146	1	1000	0.5	1.5	0.6	4000	200	ODS-146
MA4P606-4	1	1000	1	0.7	0.7	4000	1000	ODS-4
MA47047-54	1	1000	0.3	0.3	1.5	1000	200	ODS-54
MA4P606-131	1	1000	15	0.6	0.7	4000	1000	ODS-131 Die
MADP-000488-13740W	100	1500	15	0.16	1.6	4000	900	ODS-1374 Die
MADP-000135-01340W	100	1500	50	0.15	1.2	440	200	ODS-134 Die
MADP-000165-01340W	100	2000	50	0.06	2.5	200	200	ODS-134 Die
MADP-042508-130600	50	2000	1.3	0.6	0.9	310	100	ODS-1306 Die
MADP-042505-130600	50	2000	1.3	0.6	0.8	210	80	ODS-1306 Die
MA4P404-30	5	2000	7.5	0.4	0.6	1000	250	ODS-30
MA4P604-30	1	2500	15	0.5	1	3000	1000	ODS-30
MADP-000506-014400	1	4000	10	0.7	0.3	100	500	ODS-144
MADP-042405-130600	50	4000	1.3	0.27	0.8	210	80	ODS-1306 Die
MA4P505-36	1	4000	15	0.55	0.5	2000	500	ODS-36
MA4P303-186	20	4000	0.3	0.35	1.5	200	200	ODS-186
MA4P203-30	30	4000	5	0.35	1.5	100	100	ODS-30
MA4P203-1056	30	4000	0.3	0.35	1.5	100	100	ODS-1056
MA4P303-120	20	4000	5	0.35	1.5	200	200	ODS-120
MA4P506-131	1	4000	13.6	0.7	0.3	3000	500	ODS-131 Die
MA4P202-120	50	4000	0.3	0.25	2.5	60	100	ODS-120
MADP-042308-130600	50	6000	1	0.14	1.3	280	100	ODS-1306 Die
MADP-042305-130600	50	6000	1	0.14	1.3	180	80	ODS-1306 Die
MA4P505-131	1	6000	10.7	0.35	0.5	2000	500	ODS-131 Die
MADP-017015-1314	1	6000	5	0.32	0.7	1300	115	ODS-1314 Die
MADP-017025-1314	1	6000	5	0.23	1	2300	1335	ODS-1314 Die
MADP-030015-13140P	1	6000	11.5	0.78	0.5	1600	115	ODS-1314 Die
MADP-030025-1314	1	6000	11.5	0.5	0.7	2800	135	ODS-1314 Die
MA4P504-144	1	8000	7.5	0.4	0.6	1000	500	ODS-144
MA4P604-131	1	8000	15	0.3	1	3000	1000	ODS-131 Die
MA47222	1	8000	3.8	0.4	1.6	160	150	ODS-144
MA47223	1	8000	7.5	0.4	0.6	1000	500	ODS-144

Note: Part numbers are RoHS compliant
Detailed specifications can be found quickly on our website at macom.com by typing the part number into the search box.
All specifications are subject to change.

PIN Switch and Attenuator Diodes (continued)

Part Number	Min Freq (MHz)	Max Freq (MHz)	CW Power Dissipation (W)	Total Capacitance (pF)	Resistance (Ω)	T1 (ns)	Breakdown Voltage Min (V)	Package
MA47418-134	5	10000	6	0.15	3	1000	200	ODS-134 Die
MA47416-132	DC	10000	5	0.15	6	2000	200	ODS-132 Die
MA4P504-132	1	10000	7.5	0.2	0.6	1000	500	ODS-132 Die
MA4P404-132	5	10000	7.5	0.2	0.7	600	250	ODS-132 Die
MADP-042908-130600	50	16000	0.8	0.06	3.1	230	100	ODS-1306 Die
MADP-042905-130600	50	16000	0.8	0.06	3.1	140	80	ODS-1306 Die
MADP-000402-12530G	50	18000	1	0.04	5	200	1000	ODS-1253 Die
MADP-000402-12530P	50	18000	1	0.04	4.5	200	70	ODS-1253 Die
MADP-064908-131000	50	18000	1	0.05	5	200	100	ODS-1310 Die
MA4PBL027	100	18000	0.2	0.03	4	150	90	Beam Lead Die
MA4P7493-134	50	18000	2.5	0.05	1.8	80	150	ODS-134 Die
MA4SPS402	50	18000	1	0.04	5	200	100	ODS-1253 Die
MA4P161-134	100	18000	2.3	0.1	1.5	150	100	ODS-134 Die
MA4P203-134	30	18000	5	0.15	1.5	100	100	ODS-134 Die
MA4P303-134	20	18000	5	0.15	1.5	200	200	ODS-134 Die
MA4SPS552	50	26000	1	0.06	1.7	2500	200	ODS-1270
MA4SPS502	1	26000	35	0.14	2.4	2800	275	ODS-1270
MA4SPS302	1	26000	0.8	0.4	1.3	460	100	SURMOUNT™ Die
MA4AGBLP912	100	40000	0.1	0.02	4	5	50	Beam Lead Die
MA4GP022	100	40000	0.3	0.15	1	20	50	ODS-277
MA4GP030	100	40000	0.3	0.06	2	25	100	ODS-277
MGPN1503-C01A	100	26000	—	0.03	3	10	205	C01A
MMP7010	200	14000	—	0.1	1	10	25	Die/Various
MMP7011	200	12000	—	0.15	0.8	10	25	Die/Various
MMP7020	1	18000	—	0.05	1.2	60	70	Die/Various
MMP7021	1	14000	—	0.1	1	60	70	Die/Various
MMP7022	1	10000	—	0.15	0.9	60	70	Die/Various
MMP7023	1	8000	—	0.2	0.7	60	70	Die/Various
MMP7024	1	6000	—	0.25	0.5	60	70	Die/Various
MMP7025	1	18000	—	0.03	1.9	100	100	Die/Various
MMP7071	0.1	100	—	2	1	8000	100	Die/Various
MMP7078	0.1	100	—	1	0.5	2500	400	Die/Various
MMP7092	1	6000	—	0.2	0.6	1000	500	Die/Various
MMPN080045	2000	20000	—	—	—	—	200	C50
MMPN080150	2000	35000	—	—	—	—	200	C51
MMSPN050-C53	1000	40000	40	—	0.6	4000	200	C53
MMSPN050-C54	1000	40000	40	—	0.6	4000	200	C54
MNP0008	100	12000	1	0.08	2	150	100	C12p
MNP0008-T54P	100	12000	0.25	0.28	2	150	100	T54p
MNP0008-T55P	100	12000	0.25	0.21	2	150	100	T55p
MNP0008-T89P	100	12000	0.25	0.33	2	150	100	T89p
MNP0010	10	12000	1	0.08	2	300	150	C12p
MNP0010-T54P	10	12000	0.25	0.28	2	300	150	T54p
MNP0010-T55P	10	12000	0.25	0.21	2	300	150	T55p

Note: Part numbers are RoHS compliant
Detailed specifications can be found quickly on our website at macom.com by typing the part number into the search box.
All specifications are subject to change.

PIN Switch and Attenuator Diodes (continued)

Part Number	Min Freq (MHz)	Max Freq (MHz)	CW Power Dissipation (W)	Total Capacitance (pF)	Resistance (Ω)	T1 (ns)	Breakdown Voltage Min (V)	Package
MNP0010-T89P	10	12000	0.25	0.33	2	300	150	T89p
MNP0012	5	12000	1	0.08	3.5	350	300	C12p
MNP0012-T54P	5	12000	0.25	0.28	3.5	350	300	T54p
MNP0012-T55P	5	12000	0.25	0.21	3.5	350	300	T55p
MNP0012-T89P	5	12000	0.25	0.33	3.5	350	300	T89p
MNP0012A	5	8000	1	0.18	0.6	650	350	C22p
MNP0012A-T54P	5	8000	0.25	0.36	0.6	650	350	T54p
MNP0012A-T55P	5	8000	0.25	0.31	0.6	650	350	T55p
MNP0012A-T89P	5	8000	0.25	0.43	0.6	650	350	T89p
MNP0014	1	10000	1.5	0.12	1.3	750	500	C22p
MNP0014-T54P	1	10000	0.1	0.32	0.8	750	450	T54p
MNP0014-T55P	1	10000	0.1	0.25	0.8	750	450	T55p
MNP0014-T89P	1	10000	0.1	0.37	0.8	750	450	T89p
MNP0014A	1	10000	0.1	0.18	0.8	1400	500	C32p
MPN3001	—	2000	—	0.25	1	—	200	A15
MPN3002	—	2000	—	0.25	1	—	300	A15
MPN4165	—	2000	—	0.3	1.5	—	100	A15
MPN7302	500	12000	1	0.08	1.2	8	20	C11
MPN7302-H20	500	6000	1	0.26	1.2	8	20	H20
MPN7306	100	12000	1	0.08	1.2	50	70	C12
MPN7306-H20	100	6000	1	0.26	1.2	50	70	H20
MPN73120	5	6000	1	0.3	0.5	4	700	C32
MPN7312A	20	12000	1	0.08	1.2	150	120	C12
MPN7312A-H20	20	6000	1	0.26	1.2	150	120	H20
MPN7312B	20	12000	1	0.18	0.8	250	120	C12
MPN7312B-H20	20	6000	1	0.36	0.8	250	120	H20
MPN7315	10	12000	1	0.08	1.2	180	150	C12
MPN7315-H20	10	6000	1	0.26	1.2	180	150	H20
MPN7320	5	12000	1	0.02	3	120	150	C01
MPN7320-H20	5	6000	1	0.2	3	120	150	H20
MPN7345	5	6000	4	0.3	0.3	500	300	C40
MPN7360	1	6000	10	0.8	0.2	2500	600	C37
MPN7370	1	6000	10	2	0.2	5000	700	C39
MPN7380	1	6000	10	0.4	0.3	2500	800	C38
MPN7420	1	6000	2.5	0.06	1	1000	400	C12
MPN7453A	1	6000	3	0.1	0.7	700	300	C22
MPN7453B	1	6000	3	0.15	0.6	2500	400	C22
MPN7453C	1	6000	3	0.18	0.4	1000	300	C22

Note: Part numbers are RoHS compliant
Detailed specifications can be found quickly on our website at macom.com by typing the part number into the search box.
All specifications are subject to change.

PIN Limiter Diodes

Part Number	Incident Power, Max (W)	Thermal Resistance	Junction Capacitance (pF)	Resistance (Ω)	Lifetime (ns)	Vb (V)	Package
MLP7100	50	100	0.2	1.5	5	20-45	Die/Various
MLP7130	50	120	0.12	2	5	15-30	Die/Various
MLP7140	50	100	0.12	2	7	30-40	Die/Various
MADL-000011-13880G	80	175	0.18	2.1	10	—	ODS-13880G Die
MA4L011-31	80	175	0.36	2.1	10	—	ODS-31
MA4L011-186	80	175	0.33	2.1	10	—	ODS-186
MA4L011-134	80	175	0.18	2.1	10	—	ODS-134 Die
MA4L011-1056	80	175	0.38	2.1	10	—	ODS-1056
MA4L011-30	80	175	0.36	2.1	10	—	ODS-30
MA4L011-32	80	175	0.48	2.1	10	—	ODS-32
MADL-011021-14210G	90	175	0.2	2.1	10	—	ODS-1056
MADL-011009-01340W	90	175	0.23	1.5	10	—	ODS-134
MADL-000021-003000	90	175	0.38	21	10	—	ODS-30
MA4L022-120	90	175	0.32	2	10	—	ODS-120
MA4L022-1056	90	175	0.39	2	10	—	ODS-1056
MA4L022-30	90	175	0.37	2	10	—	ODS-30
MA4L022-186	90	175	0.34	2	10	—	ODS-186
MA4L021-134	90	175	0.2	2.1	10	—	ODS-134 Die
MA4L022-134	90	175	0.19	2	10	—	ODS-134 Die
MADL-04L401-0113W0	—	25	0.3	1.2	800	—	ODS-134 Die
MADL-000301-0113W0	—	30	0.2	1.5	200	—	ODS-134 Die
MADL-04L062-0113W0	—	150	0.15	2.5	10	—	ODS-134 Die
MA4L021-120	90	175	0.33	2.1	10	—	ODS-120
MA4L021-1056	90	175	0.4	2.1	10	—	ODS-1056
MA4L021-31	90	175	0.38	2.1	10	—	ODS-31
MA4L022-32	90	175	0.49	2	10	—	ODS-32
MLP7101	100	80	0.5	1.2	10	20-45	Die/Various
MLP7102	100	55	0.7	1	10	20-45	Die/Various
MLP7131	100	80	0.2	1.5	5	15-30	Die/Various
MLP7141	100	70	0.2	1.5	7	30-60	Die/Various
MADL-011010-01340W	125	150	0.24	1.5	15	—	ODS-134
MADL-000031-13880G	125	150	0.21	2.1	20	—	ODS-1388
MA4L032-186	125	150	0.35	2.5	15	—	ODS-186
MA4L031-31	125	150	0.39	2	20	—	ODS-31
MA4L031-186	125	150	0.36	2	20	—	ODS-186
MA4L031-134	125	150	0.21	2	20	—	ODS-134 Die
MA4L032-1056	125	150	0.4	2.5	15	—	ODS-1056
MA4L032-134	125	150	0.2	2.5	15	—	ODS-134 Die
MA4L031-1056	125	150	0.41	2	20	—	ODS-1056
MA4L032-31	125	150	0.38	2.5	15	—	ODS-31
MA4L032-32	125	150	0.5	2.5	15	—	ODS-32
MADL-000032-003000	125	150	0.21	2.1	20	—	ODS-3000
MADL-011011-01340W	200	150	0.17	2.3	10	—	ODS-134
MADL-000062-13880G	200	150	0.15	2.5	10	—	ODS-13880G Die
MADL-000062-105600	200	150	0.35	2.5	10	—	ODS-1056
MA4L062-134	200	150	0.15	2.5	10	—	ODS-134 Die
MLP7110	200	80	0.2	1.5	10	45-75	Die/Various

Note: Part numbers are RoHS compliant
Detailed specifications can be found quickly on our website at macom.com by typing the part number into the search box.
All specifications are subject to change.

PIN Limiter Diodes (continued)

Part Number	Incident Power, Max (W)	Thermal Resistance	Junction Capacitance (pF)	Resistance (Ω)	Lifetime (ns)	Vb (V)	Package
MADL-000101-13880G	250	30	0.15	2	90	—	ODS-13880G Die
MA4L101-134	250	30	0.15	2	90	—	ODS-134 Die
MA4L101-186	250	30	0.3	2	90	—	ODS-186
MA4L101-30	250	30	0.33	2	90	—	ODS-30
MLP7111	400	60	0.5	1.2	15	45-75	Die/Various
MADL-000301-01340W	500	30	0.2	1.5	200	—	ODS-134 Die
MA4L301-1056	500	30	0.4	1.5	200	—	ODS-1056
MA4L301-31	500	30	0.38	1.5	200	—	ODS-31
MADL-000301-13870G	500	30	0.2	1.5	200	—	ODS-1370
MADL-011052-14280W	500	36	0.19	2	222	—	ODS-134 Die
MLP7112	795	40	0.7	1	20	45-75	Die/Various
MA4L401-1056	1000	25	0.5	1.2	800	—	ODS-1056
MA4L401-31	1000	25	0.48	1.2	800	—	ODS-31
MA4L401-134	1000	25	0.3	1.2	800	—	ODS-134 Die
MA4L401-30	1000	25	0.48	1.2	800	—	ODS-30
MA4L401-120	1000	25	0.43	1.2	800	—	ODS-32
MADL-000401-13870G	1000	25	0.3	1.2	800	—	ODS-13870G Die
MLP7120	1000	40	0.2	1.5	50	120-180	Die/Various
MLP7121	2000	20	0.6	1	50	120-180	Die/Various
MLP7122	4000	15	0.8	0.5	100	120-180	Die/Various

Schottky Mixer and Detector Diodes

Part Number	Min Frequency (MHz)	Max Frequency (MHz)	Total Capacitance (pF)	Dynamic Resistance (Ω)	Vf (mV)	Vb (V)	Package
MA4E932A-186	DC	18	—	0.25	—	1	ODS-186
MA4E932B-186	DC	18	—	0.25	—	1	ODS-186
MA4E929B-119	DC	18	—	0.25	—	1	ODS-119
MA4E929A-119	DC	18	—	0.25	—	15	ODS-119
MADS-002811-00540T	DC	3000	1.2	—	—	70	ODS-55
1N5711	DC	3000	1.2	2	—	70	ODS-54
MA4E2812-54	DC	3000	1.2	—	—	20	ODS-57
MA4E2811	DC	3000	1.2	—	—	15	ODS-56
MA40261	DC	3000	-	0.32	—	70	ODS-186
MADS-005711-0054MT	DC	3000	1.2	2	—	20	ODS-54
MA40205-119	DC	10000	—	0.32	—	3	ODS-119
MA4E931Z2-1261A	DC	10000	—	—	—	3	Die
MA4E2054L-1261	DC	10000	0.15	17	—	3	ODS-1261
MA40201-119	DC	10000	0.32	—	—	—	ODS-119
MA40264	DC	10000	0.32	—	—	3	ODS-186
MA40215-120	DC	16000	0.32	—	—	5	ODS-1200
MADS-011030-14280W	DC	16000	0.33	6.5	100	3.5	Die
MA4E2513L-1289	DC	26000	0.12	10	—	3	ODS-1289
MA4E2508H-1112	DC	26000	0.24	6	—	5	ODS-1112

Note: Part numbers are RoHS compliant
Detailed specifications can be found quickly on our website at macom.com by typing the part number into the search box.
All specifications are subject to change.

Schottky Mixer and Detector Diodes (continued)

Part Number	Min Frequency (MHz)	Max Frequency (MHz)	Total Capacitance (pF)	Dynamic Resistance (Ω)	Vf (mV)	Vb (V)	Package
MA4E2501L-1290	DC	26000	0.12	10	—	5	ODS-1290
MA4E2532M-1113	DC	26000	0.16	10	—	5	ODS-1113
MA4E2508M-1112	DC	26000	0.24	12	—	5	ODS-1112
MA4E2514L-1116	DC	26000	0.12	16	—	3	ODS-1116
MA4E2508L-1112	DC	26000	16	0.24	—	5	ODS-1112
MA4E2514M-1116	DC	26000	0.12	12	—	3	ODS-1116
MA4E2502H-1246	DC	26000	0.12	11	—	3	ODS-1246
MA4E2502M-1246	DC	26000	0.12	12	—	3	ODS-1246
MA4E2502L-1246	DC	26000	0.12	16	—	3	ODS-1246
MA4E2039	DC	60000	0.05	4	—	4.5	Beam Lead
MA4E2040	DC	60000	0.05	4	—	4.5	Beam Lead
MA4E2037	DC	60000	0.05	4	—	4.5	Beam Lead
MA4E932A-186	DC	18	—	0.25	—	1	ODS-186
MA4E932B-186	DC	18	—	0.25	—	1	ODS-186
MA4E929B-119	DC	18	—	0.25	—	1	ODS-119
MA4E929A-119	DC	18	—	0.25	—	15	ODS-119
MADS-002811-00540T	DC	3000	1.2	—	—	70	ODS-55
1N5711	DC	3000	1.2	2	—	70	ODS-54
MA4E2812-54	DC	3000	1.2	—	—	20	ODS-57
MA4E2811	DC	3000	1.2	—	—	15	ODS-56
MA40261	DC	3000	-	0.32	—	70	ODS-186
MADS-005711-0054MT	DC	3000	1.2	2	—	20	ODS-54
MA40205-119	DC	10000	—	0.32	—	3	ODS-119
MA4E931Z2-1261A	DC	10000	—	—	—	3	Die
MA4E2054L-1261	DC	10000	0.15	17	—	3	ODS-1261
MA40201-119	DC	10000	0.32	—	—	—	ODS-119
MA40264	DC	10000	0.32	—	—	3	ODS-186
MA40215-120	DC	16000	0.32	—	—	5	ODS-1200
MADS-011030-14280W	DC	16000	0.33	6.5	100	3.5	Die
MA4E2513L-1289	DC	26000	0.12	10	—	3	ODS-1289
MA4E2508H-1112	DC	26000	0.24	6	—	5	ODS-1112
MA4E2501L-1290	DC	26000	0.12	10	—	5	ODS-1290
MA4E2532M-1113	DC	26000	0.16	10	—	5	ODS-1113
MA4E2508M-1112	DC	26000	0.24	12	—	5	ODS-1112
MA4E2514L-1116	DC	26000	0.12	16	—	3	ODS-1116
MA4E2508L-1112	DC	26000	16	0.24	—	5	ODS-1112
MA4E2514M-1116	DC	26000	0.12	12	—	3	ODS-1116
MA4E2502H-1246	DC	26000	0.12	11	—	3	ODS-1246
MA4E2502M-1246	DC	26000	0.12	12	—	3	ODS-1246
MA4E2502L-1246	DC	26000	0.12	16	—	3	ODS-1246
MA4E2039	DC	60000	0.05	4	—	4.5	Beam Lead
MA4E2040	DC	60000	0.05	4	—	4.5	Beam Lead
MA4E2037	DC	60000	0.05	4	—	4.5	Beam Lead
MGR700	DC	1000	1.2	—	—	8	Die/Variou
MGR701	DC	1000	1	—	—	8	Die/Variou
MGR702	DC	1000	1.2	—	—	20	Die/Variou
MGR703	DC	1000	1	—	—	20	Die/Variou

Note: Part numbers are RoHS compliant
Detailed specifications can be found quickly on our website at macom.com by typing the part number into the search box.
All specifications are subject to change.

Schottky Mixer and Detector Diodes (continued)

Part Number	Min Frequency (MHz)	Max Frequency (MHz)	Total Capacitance (pF)	Dynamic Resistance (Ω)	Vf (mV)	Vb (V)	Package
MGR704	DC	1000	2	—	—	70	Die/Various
MGR705	DC	1000	1.2	—	—	70	Die/Various
MGS901	DC	60000	0.06	7	—	5	Beam Lead
MGS902	DC	60000	0.1	7	—	—	Beam Lead
MGS903	DC	60000	0.06	7	—	5	Beam Lead
MGS904	DC	60000	0.06	7	—	—	B85
MGS904A	DC	60000	0.08	5	—	—	B85
MGS905	DC	60000	0.06	7	—	5	B86
MGS906	DC	60000	0.04	14	—	10	B90
MGS907	DC	60000	0.04	14	—	—	B85
MGS907A	DC	60000	0.06	12	—	—	B85
MGS907B	DC	60000	0.08	10	—	—	B85
MGS908	DC	60000	0.04	14	—	10	B86
MGS909	DC	60000	0.1	21	—	15	B90
MGS910	DC	60000	0.1	21	—	—	B87
MGS911	DC	60000	0.1	21	—	15	B88
MGS912	DC	60000	0.03	28	—	20	B89
MSS20-046-C15	DC	18000	0.1	80	—	0.8	C15P
MSS20-046-H27	DC	18000	0.25	80	—	0.8	H27
MSS20-046-T86	DC	12000	0.31	80	—	0.8	T86p
MSS20-047-C15	DC	18000	0.1	80	—	0.8	C15P
MSS20-047-H27	DC	18000	0.25	80	—	0.8	H27
MSS20-047-T86	DC	12000	0.31	80	—	0.8	T86p
MSS20-050-C15	DC	12000	0.15	80	—	0.8	C15P
MSS20-050-H27	DC	12000	0.30	80	—	0.8	H27
MSS20-050-T86	DC	12000	0.36	80	—	0.8	T86p
MSS20-051-C15	DC	12000	0.15	80	—	0.8	C15P
MSS20-051-H27	DC	12000	0.30	80	—	0.8	H27
MSS20-051-T86	DC	12000	0.36	80	—	0.8	T86p
MSS20-054-0805	DC	12000	0.30	80	—	0.8	0805-2
MSS20-054-C15	DC	8000	0.2	80	—	0.8	C15P
MSS20-054-H27	DC	8000	0.35	80	—	0.8	H27
MSS20-054-T86	DC	8000	0.41	80	—	0.8	T86p
MSS20-055-C15	DC	8000	0.2	80	—	0.8	C15P
MSS20-055-H27	DC	8000	0.35	80	—	0.8	H27
MSS20-055-T86	DC	8000	0.41	80	—	0.8	T86p
MSS20-140-B10D	DC	40000	0.08	80	—	0.8	B10D
MSS20-141-B10D	DC	40000	0.08	80	—	0.8	B10D
MSS20-142-0402	DC	40000	0.1	80	—	0.8	0402
MSS20-142-B10D	DC	40000	0.1	80	—	0.8	B10D
MSS20-143-B10D	DC	40000	0.1	80	—	0.8	B10D
MSS20-145-B10D	DC	40000	0.12	80	—	0.8	B10D
MSS20-146-B10D	DC	40000	0.12	80	—	0.8	B10D
MSS25-047-C15c	DC	40000	0.1	65	—	3	C15c
MSS25-049-C15c	DC	40000	0.12	52	—	3	C15c

Note: Part numbers are RoHS compliant
Detailed specifications can be found quickly on our website at macom.com by typing the part number into the search box.
All specifications are subject to change.

Schottky Mixer and Detector Diodes (continued)

Part Number	Min Frequency (MHz)	Max Frequency (MHz)	Total Capacitance (pF)	Dynamic Resistance (Ω)	Vf (mV)	Vb (V)	Package
MSS25-141-B10D	DC	40000	0.08	65	—	3	B10D
MSS25-143-B10D	DC	40000	0.1	60	—	3	B10D
MSS25-145-B10D	DC	40000	0.12	52	—	3	B10D
MSS30-PCR46-B47	DC	18000	0.13	22	—	2	B47
MSS30-PCR53-B47	DC	18000	0.25	15	—	2	B47
MSS30-046-C15	DC	18000	0.12	18	—	2	C15
MSS30-046-P55	DC	18000	0.30	18	—	2	P55
MSS30-046-P86	DC	18000	0.33	18	—	2	P86
MSS30-050-C15	DC	18000	0.18	15	—	2	C15
MSS30-050-P55	DC	18000	0.35	15	—	2	P55
MSS30-050-P86	DC	18000	0.38	15	—	2	P86
MSS30-142-B10B	DC	18000	0.1	22	—	2	B10B
MSS30-142-H20	DC	18000	0.31	22	—	2	H20
MSS30-148-B10B	DC	18000	0.15	15	—	2	B10B
MSS30-148-H20	DC	18000	0.36	15	—	2	H20
MSS30-154-B10B	DC	18000	0.25	12	—	2	B10B
MSS30-154-H20	DC	18000	0.46	12	—	2	H20
MSS30-242-B20	DC	18000	0.1	22	—	2	B20
MSS30-242-H30	DC	18000	0.31	22	—	2	H30
MSS30-248-B20	DC	18000	0.15	15	—	2	B20
MSS30-248-H30	DC	18000	0.36	15	—	2	H30
MSS30-254-H30	DC	18000	0.46	12	—	2	H30
MSS30-346-B21	DC	18000	0.3	16	—	2	B21
MSS30-346-H20	DC	18000	0.50	16	—	2	H20
MSS30-442-B41	DC	18000	0.10	22	—	4	B41
MSS30-442-B42	DC	18000	0.1	22	—	2	B42
MSS30-442-H40	DC	18000	0.1	22	—	2	H40
MSS30-448-B41	DC	18000	0.15	15	—	2	B41
MSS30-448-B42	DC	18000	0.15	15	—	2	B42
MSS30-448-H40	DC	18000	0.35	15	—	2	H40
MSS30-454-B40	DC	18000	0.25	12	—	2	B40
MSS30-454-H40	DC	18000	0.46	12	—	2	H40
MSS30-B46-B45	DC	18000	0.125	25	—	2	B45
MSS30-B46-H40	DC	18000	0.35	25	—	2	H40
MSS30-B53-B45	DC	18000	0.25	15	—	2	B45
MSS30-B53-H40	DC	18000	0.46	15	—	2	H40
MSS30-CR46-H40	DC	18000	0.33	22	—	2	H40
MSS30-CR46-H40	DC	18000	0.33	22	—	2	H40
MSS30-CR53-B49	DC	18000	0.25	15	—	2	B49
MSS30-PCB46-B48	DC	18000	0.12	20	—	2	B48
MSS39-045-C15	DC	18000	0.1	—	—	5	C15p
MSS39-045-P86	DC	18000	0.27	—	—	5	P86p
MSS39-048-P55	DC	12000	0.30	—	—	5	P55p
MSS39-048-P86	DC	12000	0.32	—	—	5	P86p
MSS39-144-B10B	DC	40000	0.08	—	—	3.5	B10Bp
MSS39-144-H27	DC	18000	0.24	—	—	3.5	H27
MSS39-146-B10B	DC	26000	0.1	—	—	3.5	B10Bp

Note: Part numbers are RoHS compliant
Detailed specifications can be found quickly on our website at macom.com by typing the part number into the search box.
All specifications are subject to change.

Schottky Mixer and Detector Diodes (continued)

Part Number	Min Frequency (MHz)	Max Frequency (MHz)	Total Capacitance (pF)	Dynamic Resistance (Ω)	Vf (mV)	Vb (V)	Package
MSS39-146-H27	DC	18000	0.25	—	—	3.5	H27
MSS39-148-B10B	DC	18000	0.12	—	—	3.5	B10Bp
MSS39-148-H20	DC	12000	0.33	—	—	3.5	H20
MSS39-152-B10B	DC	12000	0.18	—	—	3.5	B10Bp
MSS39-152-H20	DC	18000	0.36	—	—	3.5	H20
MSS40-045-C15	DC	18000	0.12	15	—	3	C15
MSS40-045-P55	DC	18000	0.28	15	—	3	P55
MSS40-045-P86	DC	18000	0.30	15	—	3	P86
MSS40-048-C15	DC	18000	0.15	15	—	3	C15
MSS40-048-P86	DC	18000	0.33	15	—	3	P86
MSS40-141-B10B	DC	18000	0.1	22	—	3	B10B
MSS40-141-H20	DC	18000	0.30	18	—	3	H20
MSS40-148-B10B	DC	18000	0.15	17	—	3	B10B
MSS40-155-0402	DC	18000	0.38	14	—	3	0402
MSS40-155-H20	DC	18000	0.51	14	—	3	H20
MSS40-244-B20	DC	18000	0.12	22	—	3	B20
MSS40-248-B20	DC	18000	0.15	17	—	3	B20
MSS40-255-B20	DC	18000	0.3	15	—	3	B20
MSS40-448-B42	DC	18000	0.15	17	—	3	B42
MSS40-448-H40	DC	18000	0.36	15	—	3	H40
MSS40-455-B40	DC	18000	0.3	17	—	3	B40
MSS40-455-H40	DC	18000	0.32	14	—	3	H40
MSS40-B46-B45	DC	18000	0.13	25	—	3	B45
MSS40-B53-B45	DC	18000	0.25	15	—	3	B45
MSS40-CR46-B49	DC	18000	0.125	22	—	3	B49
MSS40-CR46-H40	DC	18000	0.35	15	—	3	H40
MSS40-CR53-H40	DC	18000	0.46	15	—	3	H40
MSS40-PCB46-B48	DC	18000	0.12	20	—	3	B48
MSS40-PCR46-B47	DC	18000	0.13	22	—	3	B47
MSS40-PCR53-B47	DC	18000	0.25	15	—	3	B47
MSS50-046-P55	DC	18000	0.28	20	—	4	P55
MSS50-048-P86	DC	18000	0.33	15	—	4	P86
MSS50-062-C16	DC	18000	0.55	12	—	4	C16
MSS50-062-P55	DC	18000	0.75	12	—	4	P55
MSS50-062-P86	DC	18000	0.78	12	—	4	P86
MSS50-146-B10B	DC	18000	0.12	18	—	4	B10B
MSS50-146-H20	DC	18000	0.34	18	—	4	H20
MSS50-155-B10B	DC	18000	0.3	15	—	4	B10B
MSS50-155-H20	DC	18000	0.51	15	—	4	H20
MSS50-341-B21	DC	18000	0.26	16	—	4	B21
MSS50-448-B40	DC	18000	0.25	14	—	4	B40
MSS50-448-E45	DC	18000	0.36	10	—	4	E45
MSS50-448-H40	DC	18000	0.48	10	—	4	H40
MSS50-B46-B45	DC	18000	0.13	20	—	4	B45
MSS50-B46-H40	DC	18000	0.35	20	—	4	H40
MSS50-B53-B45	DC	18000	0.25	15	—	4	B45

Note: Part numbers are RoHS compliant
Detailed specifications can be found quickly on our website at macom.com by typing the part number into the search box.
All specifications are subject to change.

Schottky Mixer and Detector Diodes (continued)

Part Number	Min Frequency (MHz)	Max Frequency (MHz)	Total Capacitance (pF)	Dynamic Resistance (Ω)	Vf (mV)	Vb (V)	Package
MSS50-B53-E45	DC	18000	0.36	15	—	4	E45
MSS50-B53-H40	DC	18000	0.48	15	—	4	H40
MSS50-CR46-B49	DC	18000	0.125	22	—	4	B49
MSS50-CR46-H40	DC	18000	0.36	22	—	4	H40
MSS50-CR53-B49	DC	18000	0.25	15	—	4	B49
MSS50-CR53-H40	DC	18000	0.46	15	—	4	H40
MSS50-PCB46-B48	DC	18000	0.12	20	—	4	B48
MSS50-PCR46-B47	DC	18000	0.13	22	—	4	B47
MSS50-PCR53-B48	DC	18000	0.25	15	—	4	B47
MZB600-32	DC	8000	0.2	3500	—	3	CS32
MZB604-B11	DC	8000	0.2	5000	—	4	B11
MZB604-11	DC	8000	0.2	5000	—	4	CS11
MZB604-32	DC	8000	0.2	5000	—	4	CS32
MNM200	DC	2600	0.14	20	0.4	3	Die/Various
MNM201	DC	2600	0.2	20	0.4	3	Die/Various
MNM202	DC	2600	0.12	20	0.4	3	Die/Various
MNM203	DC	2600	0.14	20	0.4	3	Die/Various
MNM204	DC	2600	0.15	20	0.425	4	Die/Various
MNM206	DC	2600	0.12	20	0.425	4	Die/Various
MNM207	DC	2600	0.14	20	0.425	4	Die/Various
MNM210	DC	2600	0.14	20	0.45	5	Die/Various
MNM212	DC	2600	0.21	20	0.475	5	Die/Various
MNM213	DC	2600	0.15	20	0.475	5	Die/Various

Switches

Part Number	Min Freq (MHz)	Max Freq (MHz)	Insertion Loss (dB)	Isolation (dB)	Input IP3 (dBm)	Package
SPST						
MASW-001150-1316	45	2500	0.3	65	40	Die
MA4SW110	50	26500	0.6	48	40	HMIC Die
MA4AGSW1A	50	50000	1.2	48	—	Die
MA4AGSW1	50	50000	0.2	43	—	Die

SPDT

Part Number	Min Freq (MHz)	Max Freq (MHz)	Insertion Loss (dB)	Isolation (dB)	Input IP3 (dBm)	Package
SW-313-PIN	50	3000	0.8	52	46	CR-2
SW-226-PIN	0	4000	1	48	46	CR-2
SW-228-PIN	0	4000	0.7	42	46	CR-2

Note: Part numbers are RoHS compliant
Detailed specifications can be found quickly on our website at macom.com by typing the part number into the search box.
All specifications are subject to change.

Switches (continued)

Part Number	Min Freq (MHz)	Max Freq (MHz)	Insertion Loss (dB)	Isolation (dB)	Input IP3 (dBm)	Package
SPDT (continued)						
MASW-010647	8000	10500	0.8	37	60	Die
MASW-011021	6000	14000	0.7	34	60	SURMOUNT™ Die
MASW-002102-13580	2	18000	1.8	55	40	Die
MASW-011108-DIE	6000	18000	0.6	44	—	Die
MASW-002103-1363	50	20000	0.8	38	40	SURMOUNT™ Die
MA4SW210B-1	2000	26000	1.2	48	40	Die
MASW-011052	2000	26000	0.8	50	43	Die
MA4SW210	50	26500	0.6	52	40	HMIC Die
MASW-002100-1191	50	26500	0.3	65	40	Die
MASW-011144-DIE	20000	40000	65	30	—	Die
MASW-011068 • Reflective	20000	40000	0.7	28	55	Die
MASW-010646	26000	40000	0.6	39	60	Die
MASW-011036	26000	40000	0.7	40	60	Die
MA4AGSW2	50	50000	0.6	46	—	Die
MASW-011111	80000	100000	0.8	25	—	Die
SP3T						
MASW-011053	2000	18000	0.8	50	48	Die
MASW-003102-13590	2000	18000	0.8	50	40	Die
MASW-003103-1364	50	20000	0.8	40	40	SURMOUNT™ Die
MA4SW310B-1	2000	26000	1.2	47	40	Die
MA4SW310	50	26500	0.8	48	40	Die
MASW-003100-1192	50	26500	0.3	65	40	Die
MA4AGSW3	50	50000	0.6	48	—	Die
MASW-011029	75000	100000	1.3	33	—	Die
SP4T						
MA4AGSW4	50	50000	0.8	42	40	Die
MA4SW410B-1	2000	18000	0.8	48	40	Die
MA4SW410	50	26500	0.7	48	40	Die
MASW-004102-12760	2	18000	1.5	50	40	Die
MASW-004103-1365	50	20000	0.8	50	63	SURMOUNT™ Die
MASW-004100-1193	50	26500	0.3	65	40	Die
MASW-004240-13170	10	24000	2.5	50	—	Die
MASW-011087	27000	30000	0.85	50	55	Die
SP5T						
MA4SW510B-1	2000	18000	0.9	40	40	Die
MASW-005102-13600	2000	18000	0.9	40	40	Die
MA4SW510	50	26500	0.9	38	40	Die
MASW-005100-1194	50	26500	0.9	38	40	Die
MASW-006102-13610	50	26500	0.3	65	40	Die
MA4AGSW5	50	50000	1.1	47	40	Die
MASW-010351	10	4000	1.4	57	50	4 mm PQFN-24

Note: Part numbers are RoHS compliant
Detailed specifications can be found quickly on our website at macom.com by typing the part number into the search box.
All specifications are subject to change.

Switches (continued)

Part Number	Min Freq (MHz)	Max Freq (MHz)	Insertion Loss (dB)	Isolation (dB)	Input IP3 (dBm)	Package
SP6T						
MA4SW610B-1	2000	18000	1.3	45	40	Die
MASW-006102-13610	50	26500	1.3	45	40	Die

SP8T						
MA4AGSW8-1	50	50000	1.5	37	40	Die

Phase Detectors

Part Number	SRD VBR Min (V)	SRD CJ Typ (pF)	SRD TL Typ (ns)	SRD TT Max (ps)	Cap CT Typ (pF)	SD CJ Typ (pF)	SD VF Typ	SD RD Typ (mV)	FMW Typ (GHz)	Package
MSPD1000-H50	15	1	35	95	20	0.4	270	7	0.5	H50
MSPD1012-H50	15	0.5	10	70	2.5	0.18	270	9	12	H50
MSPD2018-H50	15	0.35	5	55	0.6	0.1	430	16	22	H50

MNS Chip Capacitors

Part Number	Capacitance (pF)	Standoff Voltage (V)	Chip Style	Package
MA4M3010	10	200	350	Die
MA4M2020	20	200	132	Die
MA4M3030	30	200	352	Die
MA4M1050	50	100	132	Die
MA4M3050	50	200	354	Die
MA4M1100	100	100	199	Die
MA4M3100	100	50	358	Die
MA4M3150	150	50	359	Die

High Q MNOS Series Chip Capacitors: 9000 Series VB >50 V & 9100 Series VB >100 V

Part Number	Capacitance (pF)	Working Voltage (V)	Chip Size + .002"	Package
902R0 thru 9010R	2 to 10	50	0.010" x 0.010" x 0.005"	Die
9011R thru 9029R	11 to 29	50	0.015" x 0.015" x 0.005"	Die
9030R thru 9049R	30 to 49	50	0.020" x 0.020" x 0.006"	Die
9050R thru 9099R	50 to 99	50	0.030" x 0.030" x 0.006"	Die
0100 thru 90199R	100 to 199	50	0.040" x 0.040" x 0.008"	Die
90200 thru 90399R	200 to 399	50	0.050" x 0.050" x 0.008"	Die
90400 thru 90600R	400 to 600	50	0.070" x 0.070" x 0.008"	Die
910R1 thru 911R9	0.1 to 1.9	100	0.010" x 0.010" x 0.005"	Die
912R0 thru 919R9	2 to 9.9	100	0.015" x 0.015" x 0.005"	Die
9110R thru 9129R	10 to 29	100	0.020" x 0.020" x 0.006"	Die
9130R thru 9149R	30 to 49	100	0.030" x 0.030" x 0.006"	Die
9150R thru 9199R	50 to 99	100	0.040" x 0.040" x 0.008"	Die
91100 thru 91199	100 to 199	100	0.050" x 0.050" x 0.008"	Die
91200 thru 91399	200 to 399	100	0.070" x 0.070" x 0.008"	Die

Beam Lead Capacitors: 9000 Series VB >50 V

Part Number	Capacitance Range (pf)	Package
90100ROM	100 + 20%	14-4
9010ROM	10 + 20%	14-3
9015ROM	15 + 20%	14-3
901R0 thru 901R5	1.0 to 1.5	14-1
901R0 thru 902R2	1.0 to 2.2	14-2
9022ROM	22 + 20%	14-3
902R2 thru 904R7	2.2 to 4.7	14-2
9033ROM	33 + 20%	14-3
9047ROM	47 + 20%	14-4
905R6M	5.6 + 20%	14-2
9068ROM	68 + 20%	14-4
906R8M	6.8 + 20%	14-2
9082ROM	82 + 20%	14-4
908R2M	8.2 + 20%	14-2
90R1 thru 90R9	0.1 to 0.9	14-1
90R5 thru 901R0	0.5 to 1.0	14-2

DC Floating /RF Bypass Mounting Capacitors: 9100 & 9000 Series

Part Number	Capacitance Range (pF)	Chip Size A	Chip Size B	Pad Size D	Pad Size E	Customer Specified Field D
SP49	5 - 50	0.014	0.034	0.011	0.031	0.005 - 0.020
SP84	7 - 70	0.02	0.04	0.016	0.03	0.005 - 0.020
SP51	8 - 80	0.015	0.045	0.013	0.043	0.005 - 0.020
SP14	9 - 90	0.02	0.04	0.016	0.036	0.005 - 0.020
SP34	9 - 90	0.024	0.034	0.02	0.03	0.005 - 0.020
SP6	10 - 100	0.014	0.055	0.012	0.053	0.005 - 0.020
SP89	12 - 120	0.02	0.06	0.014	0.055	0.005 - 0.020
SP80	13 - 130	0.016	0.065	0.014	0.063	0.005 - 0.020
SP12	14-140	0.02	0.055	0.018	0.053	0.005 - 0.020
SP87	15 - 150	0.013	0.12	0.009	16	0.005 - 0.020
SP81	17 - 170	0.015	0.09	0.013	0.088	0.005 - 0.020
SP22	24 - 240	0.025	0.08	0.021	0.075	0.005 - 0.020
SP88	25 - 250	0.021	0.121	0.015	0.115	0.005 - 0.020
SP48	29 - 290	0.035	0.065	0.031	0.061	0.005 - 0.020
SP64	75 - 750	0.055	0.102	0.051	0.098	0.005 - 0.020
SP120	90 - 900	0.055	0.12	0.05	0.115	0.005 - 0.020
SP7	100 - 1000	0.085	0.085	0.081	0.081	0.005 - 0.020
SP2	150 - 1500	0.11	0.11	0.1	0.1	0.005 - 0.020
SP68	175 - 1750	0.101	0.124	0.097	0.12	0.005 - 0.020
SP1	200 - 2000	0.11	0.14	0.1	0.13	0.005 - 0.020
SP5	200 - 1000	0.1	0.1	0.095	0.095	0.005 - 0.020
SP20	200 - 2000	0.12	0.14	0.11	0.13	0.005 - 0.020
SP29	200 - 2000	0.121	0.121	0.115	0.115	0.005 - 0.020
SP38	200 - 2000	0.094	0.152	0.091	0.148	0.005 - 0.020
SP39	200 - 2000	0.12	0.134	0.11	0.13	0.005 - 0.020

Note: Part numbers are RoHS compliant
Detailed specifications can be found quickly on our website at macom.com by typing the part number into the search box.
All specifications are subject to change.

DC Floating / RF Bypass Mounting Capacitors: 9100 & 9000 Series (continued)

Part Number	Capacitance Range (pF)	Chip Size A	Chip Size B	Pad Size D	Pad Size E	Customer Specified Field D
SP40	200 - 2000	0.107	0.134	0.103	0.13	0.005 - 0.020
SP77	300 - 3000	0.118	0.175	0.114	0.171	0.005 - 0.020
SP52	300 - 3000	0.13	0.17	0.124	0.164	0.005 - 0.020
SP104	350 - 3500	0.142	0.171	0.138	0.167	0.005 - 0.020
SP111	350 - 3500	0.143	0.18	0.138	0.167	0.005 - 0.020
SP37	350 - 3500	0.151	0.168	0.147	0.164	0.005 - 0.020
SP44	350 - 3500	0.14	0.17	0.135	0.165	0.005 - 0.020
SP55	360 - 3600	0.117	0.22	0.113	0.216	0.005 - 0.020

MNOS Series Capacitors

Part Number	Type	Capacitance Range Min (pF)	Range (pF)	Capacitance Dwy Min (V)	IR Min (Ω)	TCC Typ (ppm/+°C)	Package
MBC50-0.2B14	Beam Lead	0.16	0.24	50	1000	55	B14
MBC50-1.0B14	Beam Lead	0.8	1.2	50	1000	55	B14
MBC50-1B12	Beam Lead	0.8	1.2	50	1000	55	B12
MBC50-1.5B14	Beam Lead	1.2	1.8	50	1000	55	B14
MBC50-2.0B14	Beam Lead	1.6	2.4	50	1000	55	B14
MBC50-2B12	Beam Lead	1.6	2.4	50	1000	55	B12
MBC50-3B12	Beam Lead	2.4	3.6	50	1000	55	B12
MBC50-4B12	Beam Lead	3.2	4.8	50	1000	55	B12
MBC50-6B12	Beam Lead	4.8	7.2	50	1000	55	B12
MBC50-8B12	Beam Lead	6.4	9.6	50	1000	55	B12
MBC50-10B12	Beam Lead	8	12	50	1000	55	B12
MBC50-15B12	Beam Lead	12	18	50	1000	55	B12
MBC50-20B12	Beam Lead	16	24	50	1000	55	B12
MBC50-33B13	Beam Lead	26.4	39.6	50	1000	55	B13
MBC50-47B13	Beam Lead	37.6	56.4	50	1000	55	B13
MBC50-68B13	Beam Lead	54.4	81.6	50	1000	55	B13
MBC50-82B13	Beam Lead	65.6	96	50	1000	55	B13
MBC50-100B13	Beam Lead	80	120	50	1000	55	B13
MC2DXXX010-010	Chips	0.1	5	50	1000	55	Die
MC2SXXX010-010	Chips	0.25	8	50	1000	55	Die
MC2SXXX011-011	Chips	1	12	50	1000	55	B12
MC2DXXX015-015	Chips	1.5	15	50	1000	55	Die
MC2RXXX010-015	Chips	2	20	50	1000	55	Die
MC2SXXX015-015	Chips	3	30	50	1000	55	Die
MC2SXXX016-016	Chips	3	35	50	1000	55	Die
MC2RXXX015-020	Chips	5	42	50	1000	55	Die
MC2DXXX020-020	Chips	5	50	50	1000	55	Die
MC2SXXX020-020	Chips	5	55	50	1000	55	Die
MC2SXXX022-022	Chips	5	60	50	1000	55	Die
MC2RXXX015-032	Chips	5	62	50	1000	55	Die
MC2SXXX025-025	Chips	10	100	50	1000	55	Die
MC2RXXX022-042	Chips	15	120	50	1000	55	Die

Note: Part numbers are RoHS compliant
Detailed specifications can be found quickly on our website at macom.com by typing the part number into the search box.
All specifications are subject to change.

MNOS Series Capacitors (continued)

Part Number	Type	Capacitance Range Min (pF)	Range (pF)	Capacitance Dwy Min (V)	IR Min (Ω)	TCC Typ (ppm/+°C)	Package
MC2SXXX030-030	Chips	10	120	50	1000	55	Die
MC2SXXX035-035	Chips	15	150	50	1000	55	Die
MC2SXXX040-040	Chips	20	200	50	1000	55	Die
MC2SXXX050-050	Chips	25	250	50	1000	55	Die
MC2SXXX055-055	Chips	25	300	50	1000	55	Die
MC2SXXX060-060	Chips	35	375	50	1000	55	Die
MC2SXXX070-070	Chips	50	550	50	1000	55	Die
MC2SXXX080-080	Chips	70	700	50	1000	55	Die
MC2RXXX097-107	Chips	100	999	50	1000	55	Die
MC2RXXX099-138	Chips	100	999	50	1000	55	Die
MC2SXXX100-100	Chips	100	999	50	1000	55	Die
MC2RXXX127-145	Chips	200	1800	50	1000	55	Die
MC2RXXX142-160	Chips	200	2200	50	1000	55	Die
MC2B0.8020-020	Binary Chip	1.2	1.8	50	1000	55	C20
MC2B002020-020	Binary Chip	3	4.5	50	1000	55	C20
MC2B004020-020	Binary Chip	6.4	9.6	50	1000	55	C20
MC2B008020-020	Binary Chip	12	18	50	1000	55	C20
MC2B016020-020	Binary Chip	24	36	50	1000	55	C20

NLT GaAs Comb Generators

Part Number	Power Min (dBm)	Power Max (dBm)	Output Harmonics 1	Output Harmonics 2	Output Harmonics 3	Package
MLPNC-7102-SMA800	21 @ 400 MHz	23 @ 600 MHz	> -8 @ 4 GHz	> -16 @ 12 GHz	> -20 @ 20 GHz	SMA800
MLPNC-7103-SMA800	21 @ 800 MHz	23 @ 1300 MHz	> -5 @ 6 GHz	> -15 @ 18 GHz	> -20 @ 30 GHz	SMA800
MLPNC-7100S1-SMA800	18 @ 75 MHz	24 @ 250 MHz	> -15 @ 1 GHz	> -18 @ 2 GHz	> -24 @ 4 GHz	SMA800
MLPNC-7100-SMA850	20 @ 100 MHz	24 @ 400 MHz	> -8 @ 4 GHz	> -18 @ 12 GHz	> -35 @ 20 GHz	SMA850
MLPNC-7102S1-SMA800	18 @ 300 MHz	24 @ 700 MHz	> -10 @ 4 GHz	> -15 @ 8 GHz	> -22 @ 12 GHz	SMA800
MLPNC-7103S1-SMA800	18 @ 600 MHz	24 @ 1500 MHz	> -10 @ 4 GHz	> -8 @ 8 GHz	> -20 @ 15 GHz	SMA800

Note: Part numbers are RoHS compliant
Detailed specifications can be found quickly on our website at macom.com by typing the part number into the search box.
All specifications are subject to change.

Appendix and Part Number Index

- Package Selection Guide
- Decibels-Volts-Watts Conversion Table
- Wavelength and Frequency
- Part Number Index

Plastic Leadless Packages

Package	Approx	Outline Dimensions (mm)	
1 mm X1-DFN-6LD		1 x 1 x 0.45	
1.2 x 1.5 TDFN-6LD		1.2 x 1.5 x 0.75	
1.5 x 1.2 TDFN-6LD		1.5 x 1.2 x 0.75	
2 mm STDFN-8LD		2 x 2 x 0.55	
2 mm STQFN-12LD		2 x 2 x 0.55	
2 x 2.5 mm STQFN-14LD		2 x 2.5 x 0.55	
3 mm PQFN-12LD/16LD		3 x 3 x 0.9	
3 mm TQFN-12LD/16LD		3 x 3 x 0.75	
3 mm HQFN-16LD		3 x 3 x 1.5	
4 mm PQFN-16LD/20LD/24LD		4 x 4 x 0.9	
4 mm TQFN-16LD/20LD		4 x 4 x 0.75	
4 mm HQFN-8LD/16LD/20LD		4 x 4 x 1.5	
4 x 5 mm PQFN-28LD		4 x 5 x 0.9	
4 x 6 mm PQFN-32LD		4 x 6 x 0.9	
4 x 7 mm PQFN-36LD		4 x 7 x 0.9	
5 mm PQFN-20LD/24LD/28LD/32LD/40LD		5 x 5 x 0.9	
5 mm HQFN-32LD			
5 x 7 mm PQFN-40LD		5 x 7 x 0.9	
5 x 8 mm PQFN-52LD		5 x 8 x 0.9	
6 mm PQFN-28LD/40LD/48LD		6 x 6 x 0.9	
7 mm PQFN-13LD/16LD/32LD/44LD		7 x 7 x 0.9	
7 mm HQFN-16LD/32LD		7 x 7 x 1.5	

Plastic Leaded Packages

SC-79		0.8 x 1.6 x 0.6	
SOD-323		1.3 x 2.5 x 1.1	
SOT-23		2.9 x 2.4 x 1	
SOT-25		2.9 x 2.8 x 1.3	
SOT-26		2.9 x 2.8 x 1.3	

Plastic Leaded Packages

Package	Approx	Outline Dimensions (mm)	
SOT-89		4.5 x 4 x 1.5	
SOT-143		2.9 x 2.4 x 1	
SC70 3LD (SOT-323)		2 x 2.1 x 1	
SC70 6LD (SOT-363)		2 x 2.1 x 1	
SOIC-8/SOIC-8EP		4.9 x 6 x 1.6	
SOIC-14		8.7 x 6 x 1.6	
SOIC-16		9.9 x 6 x 1.6	
SOW-16		10.3 x 10.3 x 2.5	
SOW-24		15.4 x 10.3 x 2.5	
TSSOP-16		5 x 6.4 x 1.1	
SSOP-20		7.2 x 7.8 x 1.9	
MSOP-8		3 x 4.9 x 1	
MSOP-8EP		3 x 4.9 x 1	
MSOP-10/MSOP-10EP		3 x 4.9 x 1	
QSOP-16		4.9 x 6 x 1.6	
QSOP-24		8.7 x 6 x 1.6	
QSOP-28		9.9 x 6 x 1.6	

Ceramic/Chip Diode Packages

Package	Approx Outline Dimensions (mm)	
30 Ceramic	3.2 dia. x 5.7	
134 Die	0.4 x 0.4 x 0.2	
186 Ceramic	11.2 x 2.5 x 1.1	
401 Axial Lead	2.3 dia. x 55	
1027 Ceramic	8 dia. x 6.9	
1056 Ceramic	1.9 x 1.9 x 1	
1072 Ceramic	2.4 x 2.4 x 3.4	
1073 Ceramic	12.3 dia. x 10	
1038 Ceramic	8 dia. x 17	
1080 Ceramic	8 dia. x 22.2	
1082 Ceramic	8 dia. x 19.8	
1088 Ceramic	2.4 x 1.3 x 1	
1246 SURMOUNT™	1.2 x 0.5 x 0.2	

Metal/Ceramic Packages

Package	Approx Outline Dimensions (mm)	
CR2-6LD	18.3 x 11.3 x 1.3	
CR2	18.3 x 17.1 x 1.3	
CR3	16.2 x 4.6 x 1.6	
CR4	12.4 x 12.4 x 1.6	
CR5	8.9 x 8.0 x 1.6	
CR6	11.4 x 8.9 x 1.6	
CR12	11.4 x 11.4 x 2.0	
CR13	16.5 x 11.4 x 2.0	
CR15	17.8 x 11.4 x 2	
CR16	9.8 x 8.3 x 1.5	
1000017733	23.5 x 13.8 x 2.8	

Metal/Ceramic Packages

Package	Approx Outline Dimensions (mm)	
MOD2	20.3 x 15 x 6.6	
MOD3	20.3 x 15 x 4.8	
SMA-AMP	23.4 x 27.9 x 13.3	
SMA-MXR	22.9 x 22.9 x 14	
SMT-01	11.4 x 11.4 x 4.3	
SMT-02	10 x 13 x 4	
SMT-88	13.4 x 13.4 x 4.3	
SMT-88F	11.4 x 11.4 x 4.3	
TO-8-01	12.7 dia. x 11	
TO-8-02	12.7 dia. x 9.7	
TO-8-03	15.2 dia. x 9.7	

Metal/Ceramic Packages (continued)

Package	Approx Outline Dimensions (mm)	
CSM	12.5 x 9.4 x 4.8	
FP	13 x 9.8 x 3.6	
MOD1	14.2 x 13.2 x 4.8	

Passives Packages

Package	Approx Outline Dimensions (mm)	
SM-2	12.5 x 9.4 x 6.4	
SM-4	12.4 x 9.4 x 5.8	
SM-22	3.8 x 3.8 x 3.8	
SM-55	7.1 x 6.4 x 3.6	
SM-85	30 x 30 x 9	
SM-89	8 x 6.4 x 0.15	
SM-138	4.2 x 5.3 x 3.9	
SM-152	4.2 x 5.3 x 4.3	

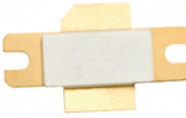
Transistor Packages

Package **Approx Outline Dimensions (mm)**


P-237 Ceramic 20 x 15 x 4




P-238 Ceramic 34 x 19.6 x 4



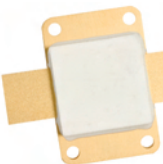
P-239 Ceramic 21 x 1 x 4




355E-01, Style 1 Ceramic 23 x 21 x 5




368-03, Style 2 Ceramic 38 x 50 x 9



PH1214-M Series Ceramic 23 x 10 x 4.5



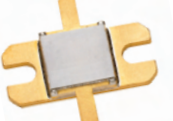
P-8TF 20.8 x 6.4 x 3.5



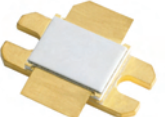
Transistor Packages (continued)

Package **Approx Outline Dimensions (mm)**


P-51H 22.9 x 10.2 x 5.5



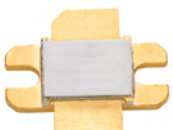
P-94C 22.9 x 10.2 x 5.5




P-94D 22.9 x 10.2 x 4.2



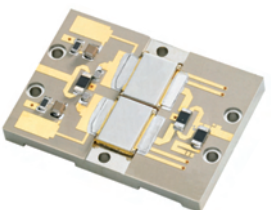
P-94I 22.9 x 10.2 x 4.2



P-154C 25.4 x 15.2 x 5.1



Pallet 50.8 x 35.8 x 7



GaN Packages

Package:
Ceramic Air Cavity (AC)

Approx Outline Dimensions (mm)

AC-200B-2
13.97 x 8.13 x 3.1 mm



AC-200S-2
5.18 x 8.13 x 3.1 mm



AC-360B-2
20.32 x 10.92 x 3.86 mm



AC-360S-2
9.65 x 10.92 x 3.86 mm



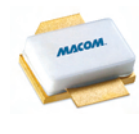
AC-400S-2
10.16 x 14.96 x 4.11 mm



AC-780B-2
34.04 x 19.43 x 3.6 mm



AC-780S-2
20.57 x 19.43 x 3.6 mm



AC-780B-4
34.04 x 19.43 x 3.36 mm



AC-780S-4
20.57 x 19.43 x 3.62 mm



AC-1230B-4
41.28 x 19.61 x 4.42 mm



AC-1230S-4
32.26 x 19.61 x 4.42 mm



GaN Packages (continued)

Package:
Plastic

Approx Outline Dimensions (mm)

3 x 6 mm PDFN-14
6.0 x 3.0 x 1.0 mm



SOIC-EP
4.9 x 6.1 x 1.47 mm



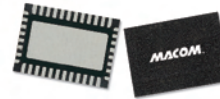
4 mm PQFN-24
4.0 x 4.0 mm



5 x 6 mm PDFN-8
6.0 x 5.0 mm



5 x 7 mm PDFN-40
4.0 x 4.0 mm



TO-272-2
23.62 x 11.18 x 2.59 mm



TO-272-4
23.62 x 14.1 x 2.59 mm



TO-272S-2
17.25 x 11.18 x 2.59 mm



TO-272S-2B
17.25 x 11.18 x 2.59 mm



TO-272S-4
17.25 x 11.18 x 2.59 mm



TO-272S-4I
17.25 x 11.18 x 2.59 mm



Notes

Decibels – Volts – Watts Conversion Table



dBm	V	P _o	50-ohm System Terminated						dBm	V	P _o
			dBm	V	P _o	dBm	mV	P _o			
53	100	200W									
50	70.7	100W	0	0.225	1 mW	-49	0.8		-97	3.2	
49	64	80W	-1	0.2	0.8 mW	-50	0.71	.01 μW	-98	2.9	
48	58	64W	-2	0.18	0.64 mW	-51	0.64		-99	2.51	
47	50	50W	-3	0.16	0.5 mW	-52	0.57		-100	2.25	
46	44.5	40W	-4	0.141	0.4 mW	-53	0.5		-101	2	
45	40	32W	-5	0.125	0.32 mW	-54	0.45		-102	1.8	
44	32.5	25W	-6	0.115	0.25 mW	-55	0.4		-103	1.6	
43	32	20W	-7	0.1	0.2 mW	-56	0.351		-104	1.41	
42	28	16W	-8	0.09	0.16 mW	-57	0.32		-105	1.27	
41	26.2	12.5W	-9	0.08	0.125 mW	-58	0.286		-106	1.18	
40	22.5	10W	-10	0.071	0.1 mW	-59	0.251				
39	20	8W	-11	0.064		-60	0.225	0.001 μW	dBm	nV	
38	18	6.4W	-12	0.058		-61	0.2		-107	1000	
37	16	5W	-13	0.05		-62	0.18		-108	900	
36	14.1	4W	-14	0.045		-63	0.16		-109	800	
35	12.5	3.2W	-15	0.04		-64	0.141		-110	710	
34	11.5	2.5W	-16	0.0355					-111	640	
33	10	2W				dBm	μV		-112	580	
32	9	1.6W	dBm	mV		-65	128		-113	500	
31	8	1.25W	-17	31.5		-66	115		-114	450	
30	7.1	1W	-18	28.5		-67	100		-115	400	
29	6.4	800 mW	-19	25.1		-68	90		-116	355	
28	5.8	640 mW	-20	22.5	.01 mW	-69	80		-117	825	
27	5	500 mW	-21	20		-70	71	0.1 nW	-118	285	
26	4.45	400 mW	-22	17.9		-71	65		-119	251	
25	4	320 mW	-23	15.9		-72	58		-120	225	
24	3.55	250 mW	-24	14.1		-73	50		-121	200	
23	3.2	200 mW	-25	12.8		-74	45		-122	180	
22	2.8	160 mW	-26	11.5		-75	40		-123	160	
21	2.52	125 mW	-27	10		-76	35		-124	141	
20	2.25	100 mW	-28	8.9		-77	32		-125	128	
19	2	80 mW	-29	8		-78	29		-126	117	
18	1.8	64 mW	-30	7.1	.001 mW	-79	25		-127	100	
17	1.6	50 mW	-31	6.25		-80	22.5	0.01 nW	-128	90	
16	1.41	40 mW	-32	5.8		-81	20		-129	80	
15	1.25	32 mW	-33	5		-82	18		-130	71	
14	1.15	25 mW	-34	4.5		-83	16		-131	61	
13	1	20 mW	-35	4		-84	11.1		-132	58	
12	0.9	16 mW	-36	3.5		-85	12.9		-133	50	
11	0.8	12.5 mW	-37	3.2		-86	11.5		-134	45	
10	0.71	10 mW	-38	2.85		-87	10		-135	40	
9	0.64	8 mW	-39	2.5		-88	9		-136	35	
8	0.58	6.4 mW	-40	2.25	1 μW	-89	8		-137	33	
7	0.5	5 mW	-41	2		-90	7.1	0.001 nW	-138	29	
6	0.445	4 mW	-42	1.8		-91	6.1		-139	25	
5	0.4	3.2 mW	-43	1.6		-92	5.75		-140	23	
4	0.355	2.5 mW	-44	1.4		-93	5			0.01 fW	
3	0.32	2 mW	-45	1.25		-94	4.5				
2	0.28	1.6 mW	-46	1.18		-95	4				
1	0.252	1.25 mW	-47	1		-96	3.51				
			-48	0.9							

Frequency Band Designations

Previous Frequency Designations	P	L	S	C	X	Ku	K	Ka					
Current Frequency Designations	C	D	E	F	G	H	I	J	K				
	0.5	1.0	2.0	3.0	4.0	6.0	8.0	10.0	12.4	18.0	20.0	26.5	40.0
	Frequency (GHz)												

Wavelength and Frequency

For all forms of wave, the velocity, wavelength, and frequency are related such that

$$\lambda F \sqrt{\epsilon_r \mu_r} = c$$

- λ = wavelength in meters (m)
- F = frequency in hertz (Hz)
- ϵ_r = relative dielectric constant of propagation medium
- c = velocity of light (300,000,000 m/s)
- μ_r = relative permeability of propagation medium

The dielectric constant (ϵ) is a property of the medium in which the wave propagates. The value of ϵ is defined as 1.000 for a perfect vacuum, and very nearly 1.0 for dry air (typically 1.006). In most practical applications, the value of ϵ in dry air is taken to be 1.000. For mediums other than air or vacuum, however, the velocity of propagation is slower, and the value of ϵ relative to a vacuum is higher. Teflon®, for example, can be made with dielectric constant values (ϵ) from about 2 to 11.

Frequency vs Wavelength

Frequency	Wavelength
1 MHz	300 meters (m)
10 MHz	30 m
100 MHz	3 m
300 MHz	1 m – 100 centimeters (cm)
1 GHz	30 cm
10 GHz	3 cm
100 GHz	3 millimeters (mm)
300 GHz	1 mm – 10 ⁻³ m
3 x 10 ¹⁴	1 micron – 10 ⁻⁶ m

Part Number 0100 thru CA33-1

Part Number	Page No.	Part Number	Page No.	Part Number	Page No.	Part Number	Page No.
0100 thru 90199R	81	2089-6402-00 ◆	77	A1021	22, 90	A74-2	21, 89
0100 thru 90199R	112	2089-6403-00 ◆	77	A1031	25, 94	A75	25, 93
1N5711	45, 105, 106	2089-6404-00 ◆	77	A11	25, 94	A75-2	20, 89
1N5719	35, 101	2089-6405-00 ◆	77	A12	25, 94	A75-3	25, 93
1N5819	46	2089-6406-00 ◆	76	A1211	26, 94	A76	24, 93
2020-4018-20 ◆	73	2089-6407-00 ◆	77	A1212	26, 94	A76-1	25, 93
2020-6605-10 ◆	73	2089-6408-00 ◆	77	A17	21, 90	A77	21, 89
2020-6606-20 ◆	73	2089-6409-00 ◆	77	A18-1	25, 94	A77-1	21, 89
2020-6607-30 ◆	73	2089-6410-00 ◆	77	A180	25, 93	A78	24, 92
2020-6609-10 ◆	73	2089-6801-00 ◆	76	A181	20, 89	A79	20, 89
2020-6610-20 ◆	73	2089-6805-00 ◆	77	A19-1	22, 90	A80	25, 93
2020-6613-10 ◆	73	62089-6807-00 ◆	77	A231	24, 92	A80-1	23, 92
2020-6614-20 ◆	73	2089-6808-00 ◆	77	A24	22, 90	A81	24, 92
2020-6615-30 ◆	73	2090-6205-00 ◆	77	A25	22	A81-1	24, 92
2020-6616-06 ◆	73	2090-6214-00 ◆	77	A25-1	26, 94	A81-2	25, 93
2020-6617-10 ◆	73	2090-6304-00 ◆	77	A26	22, 90	A81-3	25, 93
2020-6618-20 ◆	73	2090-6414-00 ◆	77	A27	22, 90	A82	24, 92
2020-6619-30 ◆	73	2690-1001 ◆	54	A28	22, 90	A82-1	23, 92
2020-6622-20 ◆	73	2690-1003 ◆	54	A28-2	26, 94	A83-1	24, 92
2020-6623-30 ◆	73	2690-1005 ◆	54	A29-1	22, 90	A87	20, 89
2020-6624-06 ◆	74	2690-1007 ◆	54	A31-1	26, 94	A87-1	24, 92
2020-6626-20 ◆	74	2690-1009 ◆	54	A32	26, 94	A87-2	24, 92
2020-6627-30 ◆	74	2690-1011 ◆	54	A32-1	26, 94	A88	21, 89
2020-6628-06 ◆	74	2690-1014 ◆	54	A33-1	23, 91	A89	21
2020-6630-20 ◆	74	2690-1015 ◆	54	A34	22, 91	AL7	27
2025-6001-06	73	2N6439	12	A35	22, 91	AM-131-PIN	24, 93
2025-6002-10 ◆	72	90100ROM	81, 113	A36	22, 91	AM-153-PIN ◆	26
2025-6004-20 ◆	73	9010R0M	81, 113	A36-1	23, 91	AM-162-PIN ◆	23, 92
2025-6006-10 ◆	73	9011R thru 9029R	81, 112	A36-2	23, 91	AM42-0002	23, 91
2025-6009-06 ◆	73	9015R0M	81, 113	A37	22, 91	AM42-0007	23, 91
2025-6010-10 ◆	73	901R0 thru 901R5	81, 113	A38	22, 91	AM42-0039	23, 91
2025-6012-20 ◆	73	901R0 thru 902R2	81, 113	A39	22, 91	AM42-0040	23
2025-6014-10 ◆	73	90200 thru 90399R	81, 112	A4011	26, 95	AMC-123-SMA ◆	24, 93
2025-6016-20 ◆	73	9022ROM	81, 113	A4012	26, 95	AMC-143-SMA ◆	24, 93
2025-6017-06 ◆	74	902R0 thru 9010R	81, 112	A411	24, 92	AMC-145-SMA	21, 90
2025-6018-10 ◆	74	902R2 thru 904R7	81, 113	A43	23, 91	AMC-146-SMA ◆	20, 89
2025-6019-16 ◆	74	9030R thru 9049R	81, 112	A45	26, 95	AMC-147-SMA ◆	24, 93
2025-6020-20 ◆	74	9033ROM	81, 113	A45-1	26, 95	AMC-151-SMA ◆	20, 89
2026-6001-10 ◆	73	90400 thru 90600R	81, 112	A5	20, 89	AMC-155-SMA ◆	22, 90
2026-6004-10 ◆	74	9047ROM	81, 113	A5-6	21, 89	AMC-162-SMA ◆	23, 92
2026-6007-10 ◆	74	9050R thru 9099R	81, 112	A511	25, 93	AMC-176-SMA ◆	25, 94
2026-6009-20 ◆	74	905R6M	81, 113	A514	25, 93	AMC-182-SMA ◆	26, 94
2026-6010-10 ◆	74	9068ROM	81, 113	A515	24, 93	AMC-184-SMA ◆	21, 90
2031-6330-00 ◆	71	906R8M	81, 113	A531	25, 93	AMS-162-PIN ◆	23, 92
2031-6331-00 ◆	72	9082ROM	81, 113	A54	21, 89	AT-213-PIN	55
2031-6332-00 ◆	73	908R2M	81, 113	A55	21, 89	AT-232-PIN	55
2031-6333-00 ◆	73	90R1 thru 90R9	81	A56	20, 89	AT-233-PIN	55
2031-6334-00 ◆	73	90R5 thru 901R0	81	A57	21, 89	AT-263-PIN	55
2031-6335-00 ◆	73	910R1 thru 911R9	81, 112	A58	25, 93	AT-273-PIN	55
2031-6339-00 ◆	74	91100 thru 91199	81, 112	A59	25, 93	AT-283-PIN	55
2032-6344-00 ◆	72	9110R thru 9129R	81, 112	A59-1	21	AT-357-SMA	55
2032-6345-00 ◆	73	9115R0K-BOO	82	A6011	26, 95	CA1021 ◆	21, 90
2032-6347-00 ◆	73	9115R0K-BSP-1	82	A61	26, 95	CA12 ◆	26, 94
2032-6348-00 ◆	73	911R5K-BSP-3	82	A611	25, 94	CA1212 ◆	26, 94
2032-6354-00 ◆	73	91200 thru 91399	81, 112	A63	26, 94	CA17	21, 90
2032-6371-00 ◆	74	9122R5K-BOO	82	A64	22, 90	CA18-1 ◆	25, 94
2032-6374-00 ◆	74	9122R5K-BSP-1	82	A66	22, 90	CA180 ◆	24, 93
2032-6375-00 ◆	74	912R0 thru 919R9	81, 112	A66-1	21, 90	CA181 ◆	20, 89
2035-6364-00 ◆	72	9130R thru 9149R	81, 112	A66-3	25, 94	CA19-1 ◆	22, 90
2035-6366-00 ◆	73	913R0K-BSP-3	82	A67	25, 94	CA231 ◆	23, 92
2089-6201-00 ◆	76	913R7K-BOO	82	A67-1	25, 94	CA24 ◆	22, 90
2089-6202-00 ◆	77	913R7K-BSP-1	82	A70	24, 92	CA26 ◆	22, 90
2089-6203-00 ◆	77	913R7K-BSP-3	82	A70-1	23, 92	CA28 ◆	22, 91
2089-6204-00 ◆	77	9150R thru 9199R	81, 112	A70-2	24, 92	CA28-2 ◆	26, 94
2089-6206-00 ◆	76	915R6K-BSP-3	82	A70-3	24, 92	CA29-1 ◆	22, 91
2089-6208-00 ◆	77	917R5K-BOO	82	A72	21, 89	CA3010 ◆	23, 91
2089-6209-00 ◆	77	917R5K-BSP-1	82	A73	25, 93	CA32 ◆	26, 94
2089-6210-00 ◆	77	A1	25, 93	A74	25, 93	CA32-1 ◆	26, 94
2089-6401-00 ◆	76	A101	23, 92	A74-1	24, 92	CA33-1 ◆	23, 91

Part Number CA35 to MA46483-186

Part Number	Page No.	Part Number	Page No.	Part Number	Page No.	Part Number	Page No.
CA35 ♦	22, 91	DS-313-PIN ♦	76, 99	G1*	56	M74 ♦	65, 97
CA36-1 ♦	22, 91	DS-318-PIN ♦	75, 99	G2	56	M74C ♦	66, 97
CA38 ♦	22, 91	DS-319-PIN ♦	75, 99	G30	56	M76 ♦	64, 97
CA45	26, 95	DS-323-PIN ♦	75, 99	G40	56	M76C ♦	64, 97
CA511 ♦	24, 93	DS-324-PIN ♦	75, 99	H-183-4-N ♦	73	M76H ♦	64, 96
CA531 ♦	24, 93	DS-327-PIN ♦	75	H-8-4-SMA ♦	76	M76HC	96, 97
CA6011 ♦	26, 95	DS-328-PIN ♦	75, 99	H-81-4-N ♦	75	M77C ♦	65, 97
CA64 ♦	22, 90	DS-331-PIN ♦	76, 99	H-81-4-SMA ♦	75	M79C ♦	65, 97
CA66 ♦	22, 90	DS-4-4-BNC ♦	76	H-9-N	73	M79H ♦	65, 97
CA66-1	21, 90	DS-4-4-N ♦	76	HH-106-PIN ♦	71	M79HC ♦	65, 97
CA66-3 ♦	25, 94	DS-4-4-SMA ♦	76	HH-109-PIN ♦	71	M80C ♦	65, 97
CA67-1	25, 94	DS-409-4BNC ♦	76	HH-110-PIN ♦	71	M83	65, 97
CA70-2 ♦	24, 92	DS-409-4SMA ♦	76	HH-128-PIN ♦	73	M83C ♦	65, 97
CA74 ♦	24, 93	DS-409-4TNC ♦	76	HHS-109-PIN	71	M85 ♦	65, 97
CA75 ♦	24, 93	DS-808-4BNC ♦	76	HHS-110-PIN	71	M85C ♦	65, 97
CA76 ♦	24, 93	DS-808-4N ♦	76	JH-114-PIN ♦	71	M86C ♦	65, 97
CA77 ♦	21, 89	DS-808-4SMA ♦	76	JH-115-PIN ♦	71	M87C ♦	66, 98
CA77-1 ♦	21, 89	DS-808-4TNC ♦	76	JH-119-PIN ♦	71	M88C	65, 97
CA78 ♦	24, 92	DSS-113-PIN ♦	74, 99	JH-121-PIN ♦	71	M88H ♦	65, 97
CA79	20, 89	DSS-313-PIN ♦	76, 99	JH-133-PIN ♦	71	M88HC ♦	65, 97
CA81-2 ♦	24, 92	DSS-327-PIN ♦	75, 99	JH-136-PIN ♦	71	M89C ♦	65, 97
CA82 ♦	23, 92	DSS-333-PIN ♦	75, 99	JH-139-PIN ♦	71	M8H-3 ♦	64, 96
CA83-1 ♦	23, 92	DUI215S	14	JH-141-PIN ♦	73	M8H-7 ♦	64, 96
CA87 ♦	20, 89	DU2805S	14	JHS-113-PIN ♦	71	M8HC-7	96
CA87-1 ♦	24, 92	DU2810S	14	JHS-114-PIN ♦	71	M8HC-7	97
CAL7 ♦	27	DU28120T	14	JHS-115-PIN ♦	71	M8HC-7 ♦	64, 96
CG30	56	DU28120V	14	JHS-119-PIN ♦	71	M8T ♦	63, 96
CG40	56	DU28200M	14	JHS-121-PIN	71	M8TC ♦	63, 96
CH-132-BNC ♦	71	DU2820S	14	JHS-139-PIN ♦	71	M8TH ♦	63, 96
CH-134-PIN ♦	71	DU2840S	14	JHS-142-PIN ♦	71	M8THC ♦	64, 96
CH-140-PIN ♦	72	DU2860U	14	L1	27	M93C	65, 97
CHS-134-PIN ♦	71	DU2880T	14	L42	27	M9BC	63, 95
CHS-137-PIN ♦	71	DU2880U	14	LA17	27	M9H	95
CL42 ♦	27	EA1	24, 92	LA45	27	M9HC ♦	63, 95
CLA17 ♦	27	EA2	20, 89	LA45-1	27	MA144769-287T	33
CLA45-1 ♦	27	EA53-2	25, 93	LA7	27	MA40143-213	45
CLA7 ♦	27	EA54	20, 89	LF2805A	14	MA40147-213	46
CLG1	56	EA54-2	20, 89	LGI1	56	MA40201-119	45, 105, 106
CMM0511-QT	16	ELDC-10	71	LM202602-H-A-300	54	MA40205-119	45, 105, 106
CPA38 ♦	26, 94	ELPD-20-1	75	LM202802-L-C-300	54	MA40208-276	45
CPA48 ♦	23, 91	ESSMJ-2-12-75	75	LM202802-Q-B-301	54	MA40215-120	46, 105, 106
CRA36 ♦	22, 91	ETC1-1-13	80	LM202802-Q-C-301	54	MA40215-276	45
CRA66 ♦	21, 90	ETC1-1-6	79	M14A ♦	65, 97	MA40261	45, 105, 106
CRA69 ♦	21, 90	ETC1-1T-2TR	78	M1H ♦	63, 95	MA40264	46, 105, 106
CRA89 ♦	21, 89	ETC1-1T-5	79	M2AC ♦	63, 95	MA44781	36
CRA89-1 ♦	21, 89	ETC1.5-4	79	M2B ♦	63, 96	MA45471	36
CSFD25	62	ETC1.6-4-2-3	80	M2BC ♦	63, 96	MA46413-120	32
CSFD25H ♦	62	ETC16-1T-2TR	77	M2E	63, 95	MA46416-134	32, 99
CSFD26 ♦	62	ETC36-1T-2TR	78	M2EC ♦	63, 95	MA46418-120	32
CSM1-10	63	ETC4-1-2TR	79	M2G	64, 96	MA46418-30	32, 99
CSM1-13	63	FD25 ♦	62	M2GC ♦	64, 96	MA46451-120	31
CSM1-17	63	FD25C ♦	62	M2TC ♦	63, 96	MA46452-134	31
CSM2-10	63	FD25E ♦	62	M3H-50-PIN ♦	74, 99	MA46461-186	31
CSM2-13	63	FD25H ♦	62	M3V-50-PIN ♦	74, 99	MA46470-120	31
CSM2-17	63	FD25HC ♦	62	M4A ♦	63, 95	MA46470-134	31
CSM4T	64	FD26	62	M4TH ♦	64, 96	MA46471-134	31
CSM4T17	63	FD26C ♦	62	M50A ♦	66, 97	MA46472-134	31
CSM4TH	63	FD93 ♦	62	M50AC	97	MA46472-94	31
CSM5T	64	FD93C ♦	62	M50C ♦	66, 98	MA46473-134	31
CSM5T17	64	FD93H	62	M51C ♦	66, 98	MA46473-186	31
CSM5TH	64	FD93HC ♦	62	M52C ♦	66, 98	MA46474-120	31
DS-109-PIN ♦	75, 99	FDC2310	62	M53C ♦	66, 98	MA46474-134	31
DS-112-PIN ♦	75, 99	FDC2710 ♦	62	M63C ♦	64, 96	MA46474-94	31
DS-113-PIN ♦	74, 99	FDZ5013 ♦	62	M63H ♦	64, 96	MA46474-95	31
DS-117-PIN ♦	74	FDZ5013C ♦	62	M63HC ♦	64, 96	MA46475-134	31
DS-308-BNC ♦	74	FM-104-PIN ♦	62	M67C ♦	65, 97	MA46477-134	31
DS-309-BNC ♦	75	FM-105-PIN ♦	62	M6D-50 ♦	63, 95	MA46477-186	31
DS-310-PIN ♦	74, 99	FM-107-PIN ♦	62	M6E-50	95	MA46480-134	31
DS-312-BNC ♦	75	FMS-109-PIN ♦	62	M6EH ♦	63, 95	MA46483-186	31

Note: Part numbers are RoHS compliant ♦ indicates non-RoHS compliant.

Part Number MA40215-120 to MA4P7436-1146T

Part Number	Page No.	Part Number	Page No.	Part Number	Page No.	Part Number	Page No.
MA46485-120	31	MA4E2040	46, 106	MA4L031-31	44, 104	MA4P506-258	35
MA46580-1209	31	MA4E20541-1141T	45	MA4L032-1056	44, 104	MA4P506-30	35, 101
MA46585-1209	31	MA4E20541-1279T	45	MA4L032-134	44, 104	MA4P506-31	35, 101
MA46600-134	29, 99	MA4E2054A1-287T	45	MA4L032-186	44, 104	MA4P506-4	37
MA46603-134	29, 99	MA4E2054B1-1146T	45	MA4L032-31	44, 104	MA4P604-131	39, 101
MA46603-276	29	MA4E2054B1-287T	45	MA4L032-32	44, 104	MA4P604-255	35, 101
MA46H070-1056	30, 99	MA4E2054D1-287T	45	MA4L062-134	44, 104	MA4P604-258	38
MA46H071-1056	30, 99	MA4E2054L-1261	45	MA4L101-134	44, 105	MA4P604-30	38, 101
MA46H071-1088	30	MA4E2054L-1261	105	MA4L101-186	44, 105	MA4P606-131	36, 101
MA46H072-1056	30, 99	MA4E2054L-1261	106	MA4L101-30	44, 105	MA4P606-258	35
MA46H073-1056	30, 99	MA4E2160	46	MA4L301-1056	44, 105	MA4P606-30	35, 101
MA46H120	31	MA4E2200A1-1141T	45	MA4L301-31	44, 105	MA4P606-36	35, 101
MA46H200-1056	31	MA4E2200B1-287T	45	MA4L401-1056	44, 105	MA4P606-4	36, 101
MA46H201-1056	31	MA4E2200D1-287T	45	MA4L401-120	44, 105	MA4P607-212	35
MA46H201-1088	31	MA4E2501L-1290	46, 106	MA4L401-134	44, 105	MA4P607-296	35, 101
MA46H202-1056	31	MA4E2502H-1246	46, 106	MA4L401-30	44, 105	MA4P7001F-43	35
MA46H202-1088	31	MA4E2502L-1246	46, 106	MA4L401-31	44, 105	MA4P7001F-1072T	36
MA46H203-1056	31	MA4E2502M-1246	46, 106	MA4M1050	81, 112	MA4P7002B-401T	35
MA46H203-1088	31	MA4E2508H-1112	46, 105, 106	MA4M1100	81, 112	MA4P7002F-1072T	36
MA46H204-1056	31	MA4E2508L-1112	46, 106	MA4M2020	81, 112	MA4P7006B-401T	36
MA46H204-1088	31	MA4E2508M-1112	46, 106	MA4M3010	81, 112	MA4P7006F-1072T	36
MA46H500-1056	32	MA4E2513L-1289	46, 105, 106	MA4M3030	81, 112	MA4P709-150	35
MA46H501-1056	32	MA4E2514L-1116	46, 106	MA4M3050	81, 112	MA4P7101B-401	36
MA46H503	32	MA4E2514M-1116	46, 106	MA4M3100	81, 112	MA4P7101F-1072T	36
MA46H504-1056	32	MA4E2532L-1113	52	MA4M3150	81, 112	MA4P7102B-401T	36
MA47047-54	36, 101	MA4E2532M-1113	46, 106	MA4P1200-401T	35	MA4P7102F-1072T	36
MA47120-54T	37	MA4E2811	45, 105, 106	MA4P1200NM-401T	35	MA4P7104B-401T	36
MA47123-139	37	MA4E2812-54	45, 105, 106	MA4P1250-1072T	36	MA4P7104F-1072T	36
MA47208	36	MA4E929A-119	45, 105, 106	MA4P1250NM-1072T	35	MA4P7418-1072T	36
MA47222	39, 101	MA4E929B-119	45, 105, 106	MA4P1450-1091T	35	MA4P7433-1141T	38
MA47223	39, 101	MA4E931Z2-1261A	45, 105, 106	MA4P1450NM-1091T	35	MA4P7433-287T	37
MA47266-146	35, 101	MA4E932A-186	45, 105, 106	MA4P161-134	40, 102	MA4P7433CA-1146T	38
MA47416-132	39, 102	MA4E932B-186	45, 105, 106	MA4P202-120	39, 101	MA4P7433CA-287T	38
MA47418-134	39, 102	MA4EX240L1-1225T	79	MA4P202-276	38, 39	MA4P7433CK-1146T	38
MA47600-54	37	MA4EX580L1-1225T	79	MA4P203-1056	39, 101	MA4P7433CK-287T	37
MA4AGBLP912	40, 102	MA4EX600L1-1225T	79	MA4P203-134	40, 102	MA4P7433ST-1146T	37
MA4AGFCP910	40	MA4EX950H1-1225T	79	MA4P203-30	39, 101	MA4P7433ST-287T	37
MA4AGP907	40	MA4EX950L1-1225T	79	MA4P203-54	37	MA4P7435NM-1091T	35
MA4AGSW1	57, 110	MA4EXP240L-1277T	79	MA4P303-1088	39	MA4P7436-1141T	37
MA4AGSW1A	57, 110	MA4EXP950H1-1277T	79	MA4P303-120	39, 101	MA4P7436-1146T	38
MA4AGSW2	57, 111	MA4FCP200	40	MA4P303-134	40, 102	MA4P7436-287T	38
MA4AGSW3	59, 111	MA4FCP300	40	MA4P303-186	38, 101	MA4P7436CA-1146T	38
MA4AGSW4	59	MA4FCP305	40	MA4P4001B-402	35	MA4P7436CA-287T	38
MA4AGSW5	60, 111	MA4GP022	40, 102	MA4P4001F-1091T	35	MA4P7436CK-1146T	38
MA4AGSW8-1	60, 112	MA4GP030	40, 102	MA4P4002B-402	35	MA4P7436CK-287T	37
MA4BN1840-1	71	MA4GP905	40	MA4P4002F-1091T	35	MA4P7436ST-1146T	38
MA4BN1840-2	71	MA4GP907	40	MA4P4006B-402	35	MA4P7436ST-287T	37
MA4E1310	46	MA4L011-1056	43, 104	MA4P4006F-1091T	36	MA4P7437-1141T	39
MA4E1317	46	MA4L011-1088	43	MA4P404-132	40, 102	MA4P7437-287T	39
MA4E1318	46	MA4L011-134	43, 104	MA4P404-258	37	MA4P7437CA-287T	39
MA4E1319-1	46	MA4L011-137	43	MA4P404-30	37, 101	MA4P7438-1141T	39
MA4E1319-2	46	MA4L011-186	43, 104	MA4P404-54	37	MA4P7438-287T	39
MA4E1338A1-1141T	45	MA4L011-30	43, 104	MA4P4301B-402	35	MA4P7438CA-287T	39
MA4E1338A1-1146T	45	MA4L011-31	43, 104	MA4P4301F-1091T	36	MA4P7441F-1091T	35
MA4E1338A1-287T	45	MA4L011-32	43, 104	MA4P504-1072T	36	MA4P7446F-1091T	35
MA4E1338B1-1146T	45	MA4L021-1056	44, 104	MA4P504-132	39, 102	MA4P7447-1141T	37
MA4E1338B1-287T	45	MA4L021-120	44, 104	MA4P504-144	39, 101	MA4P7447-287T	37
MA4E1339A1-1141T	45	MA4L021-134	43, 104	MA4P504-186	35, 101	MA4P7447-287T	38
MA4E1339A1-1146T	45	MA4L021-31	44, 104	MA4P504-255	35, 101	MA4P7447CA-287T	37
MA4E1339A1-287T	45	MA4L022-1056	43, 104	MA4P504-30	35, 101	MA4P7447CK-287T	38
MA4E1339B1-1146T	45	MA4L022-120	43, 104	MA4P504-4	37	MA4P7447ST-287T	37
MA4E1339B1-287T	45	MA4L022-134	43, 104	MA4P505-1072T	36	MA4P7452F-1072T	36
MA4E1340A1-1141T	45	MA4L022-137	43	MA4P505-131	39, 101	MA4P7455-1141T	39
MA4E1340A1-1146T	45	MA4L022-186	43, 104	MA4P505-255	35, 101	MA4P7455-1225	39
MA4E1340A1-287T	45	MA4L022-30	43, 104	MA4P505-36	38, 101	MA4P7455-1225T	56
MA4E1340B1-1146T	45	MA4L022-32	44, 104	MA4P505-4	37	MA4P7455-287T	37
MA4E1340B1-287T	45	MA4L031-1056	44, 104	MA4P506-1072T	36	MA4P7455CA-1146T	37
MA4E2037	46, 106	MA4L031-134	44, 104	MA4P506-131	39, 101	MA4P7455CA-287T	37
MA4E2039	46, 106	MA4L031-186	44, 104	MA4P506-255	35	MA4P7455CK-1146T	37

Part Number MA4P7455CK-287T to MABA-007766-CF28A0

Part Number	Page No.	Part Number	Page No.	Part Number	Page No.	Part Number	Page No.
MA4P7455CK-287T	38	MAADSS0009	55	MAAM-010263	16	MAAP-011022	17
MA4P7455ST-1146T	38	MAADSS0012	55	MAAM-010333	20	MAAP-011027	17
MA4P7455ST-287T	37	MAAL-007304	18	MAAM-010373	19	MAAP-011106	18
MA4P7461F-1072T	36	MAAL-008091	18	MAAM-010399	19	MAAP-011139	18
MA4P7464F-1072T	36	MAAL-009053	18	MAAM-010513	17	MAAP-011139-DIE	17
MA4P7470F-1072T	36	MAAL-009053	19	MAAM-010651	19	MAAP-011140-DIE	17
MA4P7493-134	40, 102	MAAL-009120	18	MAAM-011100	19	MAAP-011145	17
MA4PBL027	40, 102	MAAL-010200	18	MAAM-011101	16	MAAP-011146-DIE	17
MA4PH151-139T	37	MAAL-010528	19	MAAM-011109	17, 20	MAAP-011146-STD	17
MA4PH235-1072T	36	MAAL-010570	18	MAAM-011117	18	MAAP-011161	17
MA4PH236-1072T	37	MAAL-010704	18	MAAM-011139	19	MAAP-011170	18
MA4PH237-1079T	36	MAAL-010705	18	MAAM-011156	19	MAAP-011193	17
MA4PH238-1072T	36	MAAL-010706	18	MAAM-011163	19	MAAP-011199	17
MA4PH239-1079T	36	MAAL-011078	18	MAAM-011167	18	MAAP-011202	17
MA4PH301	37	MAAL-011111	19	MAAM-011168	19	MAAP-011205	17
MA4PH401-54T	37	MAAL-011119	19	MAAM-011169	19	MAAP-011218-DIE	18
MA4PH611	35	MAAL-011129	19	MAAM-011182	19	MAAP-011232	17
MA4PK2000	35	MAAL-011130	19	MAAM-011184	19	MAAP-011233	17
MA4PK2001	35	MAAL-011134	18	MAAM-011185	19	MAAP-011246	17
MA4PK2002	35	MAAL-011136	18	MAAM-011186	19	MAAP-011250	17
MA4PK2003	35	MAAL-011138	19	MAAM-011206	16	MAAP-011289	17
MA4PK2004	35	MAAL-011139	19	MAAM-011229-CG3	18	MAAP-011298	17
MA4PK3000	35	MAAL-011141	18	MAAM-011238	20	MAAP-011313	17
MA4PK3001	35	MAAL-011141-DIE	18	MAAM-011238-DIE	20	MAAP-011317	17
MA4PK3002	35	MAAL-011151	18	MAAM-011240	19	MAAP-011327	17
MA4PK3003	35	MAAL-011151-DIE	18	MAAM-011251	19	MAAP-011327-DIE	17
MA4PK3004	35	MAALSS0042	18	MAAM-011252	16	MAAP-011333-DIE	17
MA4SPS302	40, 102	MAALSS0048	18	MAAM-011252-DIE	16	MAAP-015016-DIE	17
MA4SPS402	40, 102	MAAM-007239	16	MAAM-011258	19	MAAP-015024-DIE	18
MA4SPS421	39	MAAM-007272-OCA514	25, 93	MAAM-011275-DIE	20	MAAP-015030-DIE	17
MA4SPS422	38	MAAM-007272-OCA515	24, 93	MAAM-011277-DIE	20	MAAP-015035	18
MA4SPS502	40, 102	MAAM-007272-SMA514	24, 93	MAAM-011286-DIE	20	MAAP-015035-DIE	17
MA4SPS552	40, 102	MAAM-007272-SMA515	24, 93	MAAM-011289	16	MAAP-118260	17
MA4ST1231-1141T	30	MAAM-007501-OA2002	26, 95	MAAM-011289-DIE	16	MAAP-118260-DIE	17
MA4ST1241-1141T	30	MAAM-007501-CA2002	26, 95	MAAM-011290-DIE	16	MAAT-010521	56
MA4SW110	57, 110	MAAM-007501-SA2002	26, 95	MAAM-011291-DIE	20	MAAT-010521-H1	56
MA4SW210	57, 111	MAAM-007502-CPA512	21, 89	MAAM-011297	19	MAAT-010521-L1	56
MA4SW210B-1	57, 111	MAAM-007502-SPA512	20, 89	MAAM-011299	19	MAAT-010521-L2	56
MA4SW310	59, 111	MAAM-007724	19	MAAM-011305	16	MAATCC0013	56
MA4SW310B-1	59, 11	MAAM-007805	16	MAAM-011305-DIE	16	MAATSS0015	55
MA4SW410	59	MAAM-007807	20	MAAM-011326-DIE	16	MAATSS0016	55
MA4SW410B-1	59	MAAM-007844-OCA801	23, 92	MAAM-015023-DIE	20	MAATSS0017	55
MA4SW510	60, 111	MAAM-007947-CA3602	23, 91	MAAM02350	16	MAATSS0018	55
MA4SW510B-1	60, 111	MAAM-007987-000CG2	56	MAAM02350-A2	16	MAATSS0019	55
MA4SW610B-1	60, 112	MAAM-008198-00A162	16	MAAM26100	17	MAATSS0021	55
MA4VAT2000-1277T	56	MAAM-008198-SMA162	26, 94	MAAM26100-B1	17	MAATSS0022	55
MA4VAT2004-1061T	56	MAAM-008199-000A51	24, 92	MAAM26100-PI	17	MAAV-007088-000100	56
MA4VAT2007-1061T	56	MAAM-008200-000A83	21, 89	MAAM28000	16	MAAV-007090-000100	56
MA4VAT900-1277T	56	MAAM-008317-CA7503	25	MAAM28000-A1	16	MAAV-007092-000100	56
MA4VAT904-1061T	56	MAAM-008818	16	MAAM28000-A1G	16	MAAV-007941	56
MA4VAT907-1061T	56	MAAM-008819	16	MAAM37000	18	MAAV-008022	56
MA8334-001	57	MAAM-008820	16	MAAM37000-A1	19	MAAV-011013	56
MA8334-004	57	MAAM-008821	16	MAAM37000-A1G	19	MAAV-011014	56
MAAD-000523	55	MAAM-008822	16	MAAM71100	17	MAAVSS0001	56
MAAD-008790-000100	55	MAAM-008863	20	MAAM71200	18	MAAVSS0006	56
MAAD-008866	55	MAAM-008970	16	MAAM71200-H1	19	MAAVSS0008	56
MAAD-009170-000100	55	MAAM-009100	19	MAAMSS0041	19	MABA-000001-50KIT1	80
MAAD-009194-000100	55	MAAM-009450	16	MAAMSS0042	19	MABA-000001-75KIT1	80
MAAD-009195-000100	55	MAAM-009451	16	MAAMSS0044	19	MABA-007159-000000	80
MAAD-009260-000100	55	MAAM-009452	16	MAAMSS0060	19	MABA-007236-C16423	80
MAAD-010305	55	MAAM-009455	19	MAAMSS0067	19	MABA-007237-ETC410	78
MAAD-011021	55	MAAM-009633	19	MAAP-008924	17	MABA-007327-CT1A40	80
MAAD-011021-DIE	55	MAAM-009778	16	MAAP-010150	18	MABA-007488-CT9550	78
MAAD-011035	55	MAAM-009779	16	MAAP-010168	17	MABA-007493-CF4160	78
MAAD-011035-DIE	55	MAAM-009811	16	MAAP-010169	17	MABA-007532-CF18A0	78
MAAD-011036	55	MAAM-009879	16	MAAP-010171	17	MABA-007569-ETK42T	79
MAAD-011036-DIE	55	MAAM-010144	19	MAAP-010512	18	MABA-007681-CT2010	80
MAAD-011038-DIE	55	MAAM-010237	16	MAAP-010516	18	MABA-007748-CT1160	80
MAADCC0006	55	MAAM-010239	20	MAAP-010517	17	MABA-007766-CF28A0	78

Part Number MABA-007871-CT1A40 to MADP-009989

Part Number	Page No.	Part Number	Page No.	Part Number	Page No.	Part Number	Page No.
MABA-007871-CT1A40	80	MABA-011015	79	MACP-007741-CG09E0	72	MADL-000301-0113W0	43, 104
MABA-008124-CF1FA0	77	MABA-011016	79	MACP-007984-MDC201	71	MADL-000301-01340W	44, 105
MABA-008260-CF4A40	78	MABA-011017	77	MACP-008125-CK07F0	72	MADL-000301-13870G	44, 105
MABA-008282-CFGA40	77	MABA-011020	78	MACP-008311-CE0370	72	MADL-000401-13870G	44, 105
MABA-008354	78	MABA-011026	78	MACP-008764-CH0370	72	MADL-011008	43
MABA-008482-CF1A40	78	MABA-011027	79	MACP-009011-C80370	72	MADL-011009-01340W	43, 104
MABA-008483-CT1760	80	MABA-011028	80	MACP-009404-C80370	72	MADL-011010-01340W	44, 104
MABA-008570-ETC414	78, 79	MABA-011029	79	MACP-009596-CA0160	72	MADL-011011-01340W	44, 104
MABA-008639-TC41T7	79	MABA-011031	79	MACP-009598-C80160	71	MADL-011012	54
MABA-008752-TCIP57	79	MABA-011032	79	MACP-009730-C60370	72	MADL-011014	54
MABA-008757-CT1160	80	MABA-011037	79	MACP-009736-CD0160	72	MADL-011021-14150T	43
MABA-008965-CF1160	78	MABA-011038	78	MACP-010249-CI08A0	72	MADL-04L401-0113W0	43, 104
MABA-008979-CF0290	80	MABA-011039	78	MACP-009943-CH07F0	72	MADL-011023-14150T	44
MABA-009005-CF1A40	78	MABA-011040	78	MACP-009944-CK07F0	72	MADL-011052-14280W	44, 105
MABA-009092-CT1A40	79	MABA-011042	80	MACP-009945-CH0670	72	MADL-04L062-0113W0	43, 104
MABA-009126-ET11SM	78	MABA-011047	80	MACP-010250-C808A0	72	MADL-04L401-0113W0	43, 104
MABA-009180-500MHZ	79	MABA-011050	78	MACP-010250-C808A0	72	MADP-000015-000030	5, 101
MABA-009210-CT1760	80	MABA-011051	79	MACP-010381-C70880	73	MADP-000135-01340W	36, 101
MABA-009231-CT1A4B	80	MABA-011056	78	MACP-010382-CFOA40	71	MADP-000165-01340W	37, 101
MABA-009232-CT4A4B	80	MABA-011058	79	MACP-010383-CHOA40	71	MADP-000208-13180W	36
MABA-009250-CT0068	78	MABA-011062	78	MACP-010389-CE0880	71	MADP-000234-10720T	36
MABA-009274-TC11T2	78	MABA-011063	78	MACP-010414-CA0370	72	MADP-000235-10720T	36
MABA-009298-CT48A0	79	MABA-011064	78	MACP-010446-C80370	72	MADP-000402-12530G	40, 102
MABA-009387-ES0040	78	MABA-011073	77	MACP-010507-CHO160	71	MADP-000402-12530P	40, 102
MABA-009412-CF1BC0	77	MABA-011082	80	MACP-010571	54	MADP-000404-10720T	36
MABA-009484-ETC31T	79	MABA-011085	80	MACP-010572	54	MADP-000488-13740W	36, 101
MABA-009488-61HWCA	79	MABA-011086	79	MACP-010573	54	MADP-000504-10720T	36
MABA-009572-CF18A0	78	MABA-011094	80	MACP-010718-CG09E0	72	MADP-000506-014400	38, 101
MABA-009573-CF1A40	77	MABA-011100	80	MACP-011010	72	MADP-000907-14020P	40
MABA-009594-CF18A0	78	MABA-011103	80	MACP-011013	72	MADP-000907-14020W	40
MABA-009600-CF48A0	78	MABA-011104	80	MACP-011014	72	MADP-001907-13050P	40
MABA-009602-ES2922	80	MABA-011108	80	MACP-011015	72	MADP-000715-12250T	37, 38
MABA-009650-CF1160	78	MABA-011112	80	MACP-011029	72	MADP-007167-0287AT	38
MABA-009691-CT1881	79	MABA-011113	80	MACP-011031	73	MADP-007167-0287BT	37
MABA-009711-ETK2MM	79	MABA-011118	80	MACP-011032	72	MADP-007167-0287DT	37
MABA-009776-CF28A0	77	MABACT0012	78	MACP-011033	72	MADP-007167-0287FT	37
MABA-009807-CF4010	77	MABACT0018	78	MACP-011034	72	MADP-007167-0287GT	37
MABA-009822-715254	80	MABACT0039	80	MACP-011035	72	MADP-007167-0287HT	39
MABA-009836-CF48A0	78	MABACT0040	80	MACP-011036	72	MADP-007167-11410T	37
MABA-009852-CF1A40	78	MABACT0043	80	MACP-011037	72	MADP-007167-12250T	56
MABA-009947-CF3160	78	MABACT0048	78	MACP-011038	72	MADP-007417-10720T	36
MABA-010012-ES4302	80	MABACT0059	80	MACP-011045	72	MADP-007433-0287DT	37
MABA-010061-CF4FA0	77	MABACT0060	80	MACP-011047	71	MADP-007433-0287HT	38
MABA-010125-CT1113	80	MABACT0061	80	MACP-011050	72	MADP-007433-1146DT	38
MABA-010129-CT4A40	79	MABACT0062	78	MACP-011051	72	MADP-007433-12790T	38
MABA-010143-FLUX18	78	MABACT0063	79	MACP-011054	72	MADP-007436-0287DT	37
MABA-010181-CF9A40	77	MABACT0064	79	MACP-011055	72	MADP-007436-1146DT	37
MABA-010238-CT4A80	79	MABACT0065	80	MACP-011056	72	MADP-007436-12790T	38
MABA-010245-CT1160	79	MABACT0066	79	MACP-011058	72	MADP-007437-0287BT	39
MABA-010247-2R1250	80	MABACT0067	78	MACP-011059	72	MADP-007437-0287DT	39
MABA-010268-CT4160	79	MABACT0068	78	MACP-011062	72	MADP-007437-0287FT	39
MABA-010314-CT1370	79	MABACT0069	80	MACP-011068	73	MADP-007438-0287BT	39
MABA-010321-CT1A42	79	MABACT0071	78	MACP-011074	73	MADP-007438-0287DT	39
MABA-010321-CT1A43	79	MABAES0008	78	MACP-011086	73	MADP-007438-0287FT	39
MABA-010374-CT4A40	80	MABAES0017	77	MACPCC0001	73	MADP-007448-0287AT	38
MABA-010386-CA3A40	80	MABAES0029	80	MACPCC0002	71	MADP-007448-0287BT	37
MABA-010392-CT18A0	79	MABAES0031	79	MACS-007800-0MIR00	78	MADP-007448-0287DT	37
MABA-010400-CT18A0	78	MABAES0034	79	MACS-007801-0MIR10	78	MADP-007448-0287FT	38
MABA-010411-CT1160	77	MABAES0060	78	MACS-007801-0MIRMO	78	MADP-007448-0287GT	38
MABA-010441-CT38A0	79	MABAES0061	79	MACS-007802-0MIR10	78	MADP-007448-11410T	38
MABA-010449-CA2A40	79	MABT-011000-14230G	71	MACS-007802-0MIRSO	78	MADP-007448-1146BT	38
MABA-010463-CA2A40	79	MABT-011000-14230P	71	MADC-010736	78	MADP-007448-1146DT	38
MABA-010655-CF1A40	77	MABT-011000-14230W	71	MADL-000011-13880G	43, 104	MADP-007448-1146GT	37
MABA-010721-CF1670	78	MABT-011000-14235P	71	MADL-000021-003000	43, 104	MADP-007448-12790T	37
MABA-011002	78	MAC-50-PIN	63, 95	MADL-000031-13880G	44, 104	MADP-007455-0287DT	37
MABA-011006	77	MAC-51-PIN	63, 95	MADL-000032-003000	44, 104	MADP-007455-1146DT	38
MABA-011009	78	MACP-007486-CH0010	72	MADL-000062-105600	44, 104	MADP-007455-12790T	38
MABA-011010	79	MACP-007490-CA0010	72	MADL-000062-13880G	44, 104	MADP-008120-12790T	39
MABA-011014	79	MACP-007727-CI07B0	72	MADL-000101-13880G	44, 105	MADP-009989	36

Part Number MADP-010630-13920T to MAPS-010163

Part Number	Page No.	Part Number	Page No.	Part Number	Page No.	Part Number	Page No.
MADP-010630-13920T	38	MAFL-007529-CD0550	84	MAGX-100027-002SOP	11	MAPD-007530-000100	76
MADP-010631-13920T	38	MAFL-007988-CD0550	84	MAGX-100027-015SOP	11	MAPD-008072-ESSM26	75
MADP-010633-13920T	38	MAFL-008070-CLOADO	84	MAGX-100027-050COP	11	MAPD-008108-C202CO	75
MADP-011027-14150T	40	MAFL-008098-CD0550	84	MAGX-100027-100COP	11	MAPD-008109-C30040	74
MADP-011028-14150T	40	MAFL-008290-CD0ACO	84	MAGX-100027-300COP	11	MAPD-008762-ES0001	74
MADP-011029-14150T	40	MAFL-009055-CD4254	84	MAGX-101011-700E00	11	MAPD-008812-0003HW	75
MADP-011034-10720T	36	MAFL-009217-CDOACO	84	MAGX-101214-500L00	11	MAPD-008957-CT0012	76
MADP-011048	35	MAFL-009272-CDOACO	85	MAIA-011002	69	MAPD-009278-5T1000	75
MADP-011084-1134B0	35	MAFL-009478-CDOACO	85	MAIA-011004	69	MAPD-009492-C2W180	75
MADP-017015-1314	39, 101	MAFL-009511-CD0A10	84	MAMF-011015	69	MAPD-009850-HW1268	74
MADP-017025-1314	39, 101	MAFL-009593-CD0A10	84	MAMF-011038	69	MAPD-009918-C209CO	75
MADP-030015-131060P	39, 101	MAFL-009906-CLOADO	84	MAMF-011069	69	MAPD-010038-C209CO	75
MADP-030025-1314	39, 101	MAFL-010101-CB0ADO	84	MAMF-011070	69	MAPD-010047-C2W24M	75
MADP-042305-130600	39, 101	MAFL-010140-CTOC60	85	MAMF-011078-DIE	69	MAPD-010274-C209CO	76
MADP-042308-130600	39, 101	MAFL-010256-CB0ADO	84	MAMF-011099	69	MAPD-010281-C2W024	75
MADP-042405-130600	38, 101	MAFL-010412-CLOADO	84	MAMF-011119	69	MAPD-010362-C20FAO	75
MADP-042408-130600	39	MAFL-010464-CDOB20	84	MAMF-011126	69	MAPD-010424-C20C80	76
MADP-042505-130600	37, 101	MAFL-010465-CDOB20	84	MAMF-011133	69	MAPD-010638-C2WSOT	76
MADP-042508-130600	37, 101	MAFL-010467-CDOB20	84	MAMF-011138	69	MAPD-011002	76
MADP-042905-130600	40, 102	MAFL-010608	85	MAMG-100227-010COL	11	MAPD-011007	76
MADP-042908-130600	40, 102	MAFL-010609	85	MAMX-000600-1225MT	79	MAPD-011020	75
MADP-064908-131000	40, 102	MAFL-010639-CB0ADO	85	MAMX-000900-1061LT	79	MAPD-011026	74
MADR-007097-000100	55	MAFL-010670-CB0ADO	85	MAMX-000950-1225MT	79	MAPD-011027	76
MADR-007131-000100	56	MAFL-011003	85	MAMX-007238-CM25MH	79	MAPD-011032	76
MADR-008888-000100	55	MAFL-011012	85	MAMX-007247-MRS5MH	79	MAPD-011035	76
MADR-009150	55	MAFL-011013	84	MAMX-007253-ES0067	79	MAPD-011039	76
MADR-009151-000DIE	55	MAFL-011013	84	MAMX-007607-ELCMIH	79	MAPD-011040	76
MADR-009190-000100	55	MAFL-011014	84	MAMX-008174-CXD860	79	MAPD-011050	76
MADR-009269-000100	55	MAFL-011015	84	MAMX-008611	79	MAPD-011051	76
MADR-009443-000100	55	MAFL-011018	85	MAMX-008782-ES0118	79	MAPD-011052	76
MADR-010269-DIE	55	MAFL-011023	85	MAMX-008786-ES0120	79	MAPD-011053	76
MADR-010410	56	MAFL-011024	84	MAMX-009239-001500	79	MAPDCC0001	75
MADR-010574	56	MAFL-011025	84	MAMX-009722-25MHLP	79	MAPDCC0002	76
MADR-011007	55	MAFL-011026	85	MAMX-011009	79	MAPDCC0003	76
MADRCC0002	56	MAFL-011027	84	MAMX-011036	79	MAPDCC0004	76
MADRCC0004	55	MAFL-011030	85	MAMX-011054	79	MAPDCC0005	75
MADRCC0005	55	MAFL-011047	84	MAMX-090950-1277LT	79	MAPDCC0006	76
MADRCC0006	55	MAFL-011048	84	MAMXES0115	79	MAPDCC0008	76
MADRCC0007	55	MAFL-011049	84	MAMXES0117	79	MAPDCC0009	75
MADS-001317-1500AG	46	MAFL-011050	84	MAMXSS0010	79	MAPDCC0010	76
MADS-001317-1500AP	46	MAFL-011051	84	MAMXSS0011	79	MAPDCC0011	75
MADS-001318-1197HP	46	MAFL-011052	84	MAMXSS0012	79	MAPDCC0014	76
MADS-001338-12790T	45	MAFL-011053	84	MAMXSS0013	79	MAPDCC0015	76
MADS-001339-12790T	45	MAFL-011054	84	MAOC-009259	87	MAPDCC0017	75
MADS-001340-12790T	45	MAFL-011055	84	MAOC-009260	87	MAPDCC0018	76
MADS-002200-12790T	45	MAFL-011057	84	MAOC-009261	87	MAPDCC0019	75
MADS-002501-1290LP	46	MAFL-011059	84	MAOC-009262	87	MAPDCC0020	76
MADS-002502-1246HP	46	MAFL-011060	84	MAOC-009263	87	MAPDCC0021	75
MADS-002502-1246LP	46	MAFL-011061	84	MAOC-009264	87	MAPDCT0017	75
MADS-002502-1246MP	46	MAFL-011062	84	MAOC-009265	87	MAPDCT0024	75
MADS-002545-1307HG	46	MAFL-011077	84	MAOC-009266	87	MAPDCT0026	76
MADS-002545-1307LG	46	MAFL-011078	84	MAOC-009267	87	MAPDCT0027	75
MADS-002545-1307MG	46	MAFL-011081	84	MAOC-009268	87	MAPDCT0028	75
MADS-002811-00540T	45, 105, 106	MAFL-011082	84	MAOC-009269	87	MAPDCT0029	75
MADS-003000-1292HT	45	MAFLCT0066	84	MAOC-009270	87	MAPDCT0030	75
MADS-003000-1292LT	45	MAFLCT0068	84	MAOC-009871	87	MAPDCT0032	75
MADS-005711-0054MT	45, 105, 106	MAFLCT0081	84	MAOC-009872	87	MAPDCT0033	75
MADS-011010-1415	45	MAFLCT0083	84	MAOC-010334	87	MAPR-000912-500S00	12
MADS-011010-1419	46	MAFLES0102	84	MAOC-011027	87	MAPR-001011-850S00	12
MADS-011030-14280W	46, 105, 106	MAGB-101836-025BOP	11	MAOC-011030	87	MAPR-001090-350S00	12
MADT-011000	54	MAGB-102327-010BOP	11	MAPC-A1000	11	MAPR-002729-170MOO	13
MADT-011000-DIE	54	MAGB-103338-050SOP	11	MAPC-A1100	11	MAPRST0912-350	12
MADZ-011001	52	MAGB-103340-015BOP	11	MAPC-A1101	11	MAPRST0912-50	12
MADZ-011002	52	MAGB-103438-020SOP	11	MAPC-A1102	11	MAPRST1030-1KS	12
MADZ-011003	52	MAGB-103440-010BOP	11	MAPC-A1103	11	MAPS-010143	54
MADZ-011004	52	MAGB-103740-008BOP	11	MAPC-A1500	11	MAPS-010144	54
MADZ-011005	52	MAGE-100809-500G00	11	MAPC-A1501	11	MAPS-010145	54
MAFC-004403	62	MAGE-102425-300S00	11	MAPD-007246-ES4700	75	MAPS-010146	54
MAFC-010511	62	MAGX-011086	11	MAPD-007249-ESML21	75	MAPS-010163	54

Part Number MAPS-010163-DIE to MEST2G-050-80

Part Number	Page No.	Part Number	Page No.	Part Number	Page No.	Part Number	Page No.
MAPS-010163-DIE	54	MASW-011068	57	MAVR-000120-12030W	30	MBC50-8B12	83, 114
MAPS-010164	54	MASW-011068 • Reflective	111	MAVR-000120-14110G	30	MC2110 ♦	64
MAPS-010164-DIE	54	MASW-011071	58	MAVR-000120-14110P	30	MC2307 ♦	64
MAPS-010165	54	MASW-0110741	59	MAVR-000202-12790T	31	MC2707 ♦	65
MAPS-010165-DIE	54	MASW-011075	59	MAVR-000240-0287AT	31	MC2710 ♦	65
MAPS-010166	54	MASW-011087	59	MAVR-000240-11410T	30	MC2720 ♦	65
MAPS-011007	54	MASW-011098	58	MAVR-000240-1146FT	31	MC2B0.8020-020	83, 115
MAPS-011008	54	MASW-011102	58	MAVR-000250-0287AT	30	MC2B002020-020	83, 115
MASW-000822-12770T	58	MASW-011105	58	MAVR-000250-0287FT	30	MC2B004020-020	83, 115
MASW-000825-12770T	58	MASW-011107-DIE	57	MAVR-000250-11410T	30	MC2B008020-020	83, 115
MASW-000834-13560T	58	MASW-011108-DIE	57	MAVR-000250-1146AT	30	MC2B016020-020	83, 115
MASW-000932	58	MASW-011108-DIE	111	MAVR-000250-1146FT	30	MC2DXXX010-010	83, 114
MASW-000936	58	MASW-011111	57, 111	MAVR-000250-12790T	30	MC2DXXX015-015	83, 114
MASW-001150-1316	57, 110	MASW-011120	58	MAVR-000320-11410T	31	MC2DXXX020-020	83, 114
MASW-002100-1191	57, 111	MASW-011128-DIE	57	MAVR-000340-11410T	30	MC2RXXX010-015	83, 114
MASW-002420-13170	57, 111	MASW-011144-DIE	57, 111	MAVR-000350-11410T	30	MC2SXXX015-020	83, 114
MASW-002103-1363	57, 111	MASW2000	57	MAVR-000401-0287AT	30	MC2RXXX015-032	83, 114
MASW-003100-1192	59, 111	MASW20000	57	MAVR-000401-0287FT	30	MC2RXXX022-042	83, 114
MASW-003102-13590	59, 111	MASW2040	60	MAVR-000403-0287AT	30	MC2RXXX097-107	83, 115
MASW-003103-1364	59, 111	MASW4030G	57	MAVR-000403-0287FT	30	MC2RXXX099-138	83, 115
MASW-004100-1193	59	MASW4060G	59	MAVR-000404-0287FT	30	MC2RXXX127-145	83, 115
MASW-004102-12760	59	MASW6010	57	MAVR-000405-0287FT	30	MC2RXXX142-160	83, 115
MASW-004103-1365	59	MASW6010G	57	MAVR-000407-0287AT	30	MC2SXXX010-010	83, 114
MASW-004240-13170	59	MASW6020G	57	MAVR-000407-0287FT	30	MC2SXXX011-011	83, 114
MASW-005100-1194	60, 111	MASW6030G	60	MAVR-000409-0287FT	30	MC2SXXX015-015	83, 114
MASW-005102-13600	60, 111	MASWCC0006	60	MAVR-001230-12790T	30	MC2SXXX016-016	83, 114
MASW-006102-13610	60, 111	MASWCC0009	59	MAVR-001240-12790T	30	MC2SXXX020-020	83, 114
MASW-006102-13610	112	MASWCC0010	59	MAVR-001320-11410T	30	MC2SXXX022-022	83, 114
MASW-007071-000100	58	MASWSS0093	58	MAVR-001320-1146FT	30	MC2SXXX025-025	83, 114
MASW-007072-000100	58	MASWSS0103	57	MAVR-001330-11410T	30	MC2SXXX030-030	83, 115
MASW-007074-000100	59	MASWSS0115	58	MAVR-001330-1146FT	30	MC2SXXX035-035	83, 115
MASW-007075-000100	58	MASWSS0121	58	MAVR-001330-12790T	30	MC2SXXX040-040	83, 115
MASW-007107	58	MASWSS0130	60	MAVR-001340-11410T	30	MC2SXXX050-050	83, 115
MASW-007221	58	MASWSS0136	58	MAVR-001340-1146FT	30	MC2SXXX055-055	83, 115
MASW-007587-000000	60	MASWSS0143	58	MAVR-001340-12790T	30	MC2SXXX060-060	83, 115
MASW-007588	58	MASWSS0144	59	MAVR-001350-1146FT	30	MC2SXXX070-070	83, 115
MASW-007813-000000	59	MASWSS0148	57	MAVR-001350-12790T	30	MC2SXXX080-080	83, 115
MASW-007921	58	MASWSS0151	58	MAVR-011005-12790T	30	MC2SXXX100-100	83, 115
MASW-007935	58	MASWSS0157	57	MAVR-011020-1411	30	MC3013 ♦	65
MASW-008177	57	MASWSS0161	57	MAVR-044767-0287AT	33	MC4107 ♦	64
MASW-008206-000DIE	57	MASWSS0162	57	MAVR-044769-0287FT	33	MC4113 ♦	64
MASW-008322	58	MASWSS0166	58	MAVR-044769-12790T	33	MC4120 ♦	64
MASW-008330	59	MASWSS0167	58	MAVR-045436-0287AT	29	MC4507 ♦	66
MASW-008543	58	MASWSS0169	58	MAVR-045436-0287FT	29	MC4510 ♦	66
MASW-008566	59	MASWSS0176	58	MAVR-045436-12790T	29	MC4513 ♦	66
MASW-008801	58	MASWSS0178	58	MAVR-045438-0287AT	29	MD-123-PIN ♦	63, 96
MASW-008853	58	MASWSS0179	57	MAVR-045438-0287FT	29	MD-148-PIN ♦	63, 95
MASW-008899	58	MASWSS0180	57	MAVR-045440-0287AT	29	MD-149-PIN ♦	63, 95
MASW-008955	59	MASWSS0181	58	MAVR-045440-0287FT	29	MD-158-PIN ♦	63
MASW-009101	58	MASWSS0184	60	MAVR-045441-0287AT	29	MD-160-PIN ♦	63, 96
MASW-009444	58	MASWSS0190	60	MAVR-045441-0287FT	29	MD-161-PIN ♦	63, 95
MASW-009460	60	MASWSS0191	59	MAVR-045446-0287AT	29	MD-169-PIN ♦	64, 96
MASW-009482	59	MASWSS0192	58	MBC50-0.2B14	83, 114	MD-179-PIN ♦	64, 96
MASW-009588	58	MASWSS0199	59	MBC50-1.0B14	83, 114	MD-189-PIN ♦	64, 96
MASW-010351	60, 111	MASWSS0200	59	MBC50-1.5B14	83, 114	MDC-162-SMA ♦	64, 96
MASW-010370	58	MASWSS0201	57	MBC50-100B13	83, 114	MDC-169-SMA ♦	64, 96
MASW-010612	59	MASWSS0202	58	MBC50-10B12	83, 114	MDC-179-SMA ♦	64, 96
MASW-010646	57, 111	MASWSS0204	58	MBC50-15B12	83, 114	MDS-148-PIN ♦	63, 96
MASW-010647	57	MAUC-010506	79	MBC50-1B12	83, 114	MDS-149-PIN ♦	63, 96
MASW-011021	57, 111	MAUC-011003	79	MBC50-2.0B14	83, 114	MDS-158-PIN ♦	63, 96
MASW-011029	59, 111	MAUC-101515	79	MBC50-20B12	83, 114	MDS-169-PIN ♦	64, 96
MASW-011030	59	MAVR-000079-0287FT	32	MBC50-2B12	83, 114	MDS-189-PIN ♦	64, 96
MASW-011036	57, 111	MAVR-000080-0287AT	31	MBC50-33B13	83, 114	MDS-222-PIN ♦	63, 95
MASW-011040	59	MAVR-000080-0287FT	31	MBC50-3B12	83, 114	MDS-223-PIN ♦	63, 95
MASW-011041	59	MAVR-000081-0287AT	31	MBC50-47B13	83, 114	MEST2G-010-20	40
MASW-011043	58	MAVR-000081-0287FT	31	MBC50-4B12	83, 114	MEST2G-020-15	39
MASW-011052	57, 111	MAVR-000082-0287AT	32	MBC50-68B13	83, 114	MEST2G-025-10-CM32	39
MASW-011053	59, 111	MAVR-000083-0287AT	32	MBC50-6B12	83, 114	MEST2G-050-45	38
MASW-011057	58	MAVR-000083-0287FT	31	MBC50-82B13	83, 114	MEST2G-050-80	36

Part Number MEST2G-080-25-CM27 to MPN7360

Part Number	Page No.	Part Number	Page No.	Part Number	Page No.	Part Number	Page No.
MEST2G-080-25-CM27	40	MLP7101	44, 104	MMD840-C11	34, 100	MNM208	52
MEST2G-100-20-CM33	38	MLP7102	44, 104	MMD840-E28	34	MNM210	52, 110
MEST2G-150-10-CM30	36	MLP7110	44, 104	MMD840-E28X	34	MNM211	52
MEST2G-150-10-CM32	37	MLP7111	44, 105	MMD840-H27	34, 100	MNM212	52, 110
MEST2G-150-20-CM26	40	MLP7112	44, 105	MMD840-T86	34, 100	MNM213	52, 110
MEST2G-160-10-CM33	38	MLP7120	44, 105	MMDB30-0402	32	MNM214	52
MGPNI503-C01A	40, 102	MLP7120-2012	44	MMDB30-0805-2	32	MNM215	52
MGR700	46, 106	MLP7121	44, 105	MMDB30-B11	32, 100	MNP0008	41, 102
MGR701	46, 106	MLP7122	44, 105	MMDB30-E28 / 28X	32	MNP0008-ET47P	41
MGR702	46, 106	MLP7130	43, 104	MMDB35-0402	32	MNP0008-T54P	41, 102
MGR703	46, 106	MLP7130-0805-2	43	MMDB35-0805-2	32	MNP0008-T55P	41, 102
MGR704	46, 107	MLP7131	44, 104	MMDB35-B11	32, 100	MNP0008-T89P	41, 102
MGR705	46, 107	MLP7140	43, 104	MMDB35-E28 / 28X	32	MNP0010	41, 102
MGS802	46	MLP7141	44, 104	MMDB45-0402	32	MNP0010-ET47P	41
MGS802A	46	MLPNC-7100-SMA850	87	MMDB45-0805-2	32	MNP0010-T54P	41, 102
MGS803	47	MLPNC-7100-SMT680	87	MMDB45-B11	32, 100	MNP0010-T55P	41, 102
MGS901	47, 107	MLPNC-7100S1-SMA800	87, 115	MMDB45-E28 / 28X	32	MNP0010-T89P	41, 103
MGS902	47, 107	MLPNC-7100S1-SMT580	87	MMP7010	40, 102	MNP0012	41, 102, 103
MGS903	47, 107	MLPNC-7102-SMA800	87, 115	MMP7011	40, 102	MNP0012-ET47P	42
MGS904	47, 107	MLPNC-7102-SMT680	87	MMP7020	40, 102	MNP0012-T54P	42, 103
MGS904A	47, 107	MLPNC-7102S1-SMA800	87, 115	MMP7021	40, 102	MNP0012-T55P	42, 103
MGS905	47, 107	MLPNC-7102S1-SMT580	87	MMP7022	40, 102	MNP0012-T89P	42, 103
MGS906	47, 107	MLPNC-7103-SMA800	87, 115	MMP7023	40, 102	MNP0012A	42, 103
MGS907	47, 107	MLPNC-7103-SMT680	87	MMP7024	40, 102	MNP0012A-ET47P	42
MGS907A	47, 107	MLPNC-7103S1-SMA800	87, 115	MMP7025	41, 102	MNP0012A-T54P	42, 103
MGS907B	47, 107	MLPNC-7103S1-SMT580	87	MMP7026	40, 41	MNP0012A-T55P	42, 103
MGS908	47, 107	MMD0151-A15	33, 100	MMP7027	41	MNP0012A-T89P	42, 103
MGS909	47, 107	MMD0803-A15	33, 100	MMP7028	41	MNP0014	42, 103
MGS910	47, 107	MMD0815-A15	33, 100	MMP7031	41	MNP0014-ET47P	42
MGS911	47, 107	MMD0825-A15	33, 100	MMP7033	41	MNP0014-T54P	42, 103
MGS912	47, 107	MMD0840-A15	33, 100	MMP7034	41	MNP0014-T55P	42, 103
MGV050-18	29, 99	MMD805-0805	33	MMP7035	41	MNP0014-T89P	42, 103
MGV050-18-0805-2	29	MMD810-C12	33, 100	MMP7036	41	MNP0014A	42, 103
MGV050-18-E28 / 28X	29	MMD810-E28	33	MMP7040	41	MPNI000-12	42
MGV050-18-H20	29, 99	MMD810-E28X	33	MMP7041	41	MPNI002-12	42
MGV050-20	29, 99	MMD810-H20	33, 100	MMP7060	41	MPNI003-12	42
MGV050-20-0805-2	29	MMD810-T86	33, 100	MMP7061	41	MPNI005-12	42
MGV050-20-E28 / 28X	29	MMD810-T89	33, 100	MMP7062	41	MPNI100-12	42
MGV050-20-H20	29, 99	MMD820-0805	33	MMP7063	41	MPNI103-12	42
MGV050-22	29	MMD820-C12	33, 100	MMP7064	41	MPN3001	42, 103
MGV050-22-0805-2	29	MMD820-E28	33	MMP7065	41	MPN3002	42, 103
MGV050-22-E28 / 28X	29	MMD820-E28X	33	MMP7066	41	MPN4165	42, 103
MGV050-22-H20	29, 99	MMD820-H20	33, 100	MMP7067	41	MPN7302	42, 103
MGV050-24	29	MMD820-T86	33, 100	MMP7068	41	MPN7302-0805	42
MGV050-24-0805-2	29	MMD830-0805	33	MMP7071	41, 102	MPN7302-E28 / 28X	42
MGV050-24-E28 / 28X	29	MMD830-C11	33	MMP7071-127-4	41	MPN7302-H20	42, 103
MGV050-24-H20	29, 99	MMD830-E28	33	MMP7071-128-4	41	MPN7306	42, 103
MGV050-26	29, 99	MMD830-E28X	33	MMP7078	41, 102	MPN7306-0805	42
MGV050-26-0805-2	29	MMD830-H20	33, 100	MMP7078-127-1	41	MPN7306-E28 / 28X	42
MGV050-26-E28 / 28X	29	MMD830-T86	33, 100	MMP7078-128-1	41	MPN7306-H20	42, 103
MGV050-26-H20	29, 99	MMD832-0805	33	MMP7080	41	MPN73120	42, 103
MGV075-08	30	MMD832-C11	33, 100	MMP7080-127-1	41	MPN7312A	42, 103
MGV075-09	30	MMD832-E28	33	MMP7080-128-1	41	MPN7312A-0805	42
MGV075-10	30	MMD832-E28X	33	MMP7089-127-1	41	MPN7312A-E28 / 28X	42
MGV100-08	31	MMD832-H20	34, 100	MMP7089-128-1	41	MPN7312A-H20	42, 103
MGV100-09	31	MMD832-T86	34, 100	MMP7092	41, 102	MPN7312B	42, 103
MGV100-20	31	MMD835-0805	34	MMPN080045	41, 102	MPN7312B-0805	42
MGV100-26	31	MMD835-C11	34, 100	MMPN080150	41, 102	MPN7312B-E28 / 28X	42, 103
MHV500	32	MMD835-E28	34	MMRF321	12	MPN7312B-H20	42, 102
MHV503	32	MMD835-E28X	34	MMSPN050-C53	41, 102	MPN7315	42, 103
MHV504	32	MMD835-H20	34, 100	MMSPN050-C54	41, 102	MPN7315-0805	42
MHV505	32	MMD835-T86	34, 100	MNM200	52, 110	MPN7315-E28 / 28X	42
MHV507	32	MMD837-0805	34	MNM201	52, 110	MPN7315-H20	42, 103
MHV508	32	MMD837-C11	34, 100	MNM202	52, 110	MPN7320	42, 103
MHV509	32	MMD837-E28	34	MNM203	52, 110	MPN7320-0805-2	42
MHV510	32	MMD837-E28X	34	MNM204	52, 110	MPN7320-E28 / 28X	43
MHV512	32	MMD837-H27	34, 100	MNM205	52	MPN7320-H20	43, 103
MHV513	32	MMD837-T86	34, 100	MNM206	52, 110	MPN7345	43, 103
MLP7100	43, 104	MMD840-0805	34	MNM207	52, 110	MPN7360	43, 103

Part Number MPN7370 to MSS50-146-0805

Part Number	Page No.	Part Number	Page No.	Part Number	Page No.	Part Number	Page No.
MPN7370	43, 103	MSAT-P25	40	MSS25-047-C15c	48, 107	MSS39-146-0805	49
MPN7380	43, 103	MSD700	33, 100	MSS25-049-C15c	48, 107	MSS39-146-B10B	49, 108
MPN7420	43, 103	MSD700-12	33	MSS25-141-B10D	48, 108	MSS39-146-H27	49, 109
MPN7453A	43, 103	MSD701	33, 100	MSS25-143-B10D	48, 108	MSS39-148-0402	49
MPN7453B	43, 103	MSD703	33, 100	MSS25-145-B10D	48, 108	MSS39-148-0805	49
MPN7453C	43, 103	MSD710	33, 100	MSS30 PCR46-B47	48, 108	MSS39-148-B10B	49, 109
MPND4005-0402	43	MSD711	33, 100	MSS30 PCR53-B47	48, 108	MSS39-148-E25	49
MPND4005-B15	43	MSD720	33, 100	MSS30-046-C15	48, 108	MSS39-148-H20	49, 109
MPND4005-B16	43	MSD722	33, 100	MSS30-046-P55	48, 108	MSS39-152-0402	49
MRF10005	12	MSD723	33, 100	MSS30-046-P86	48, 108	MSS39-152-0805	49
MRF1000MB	12	MSD724	33, 100	MSS30-050-C15	48, 108	MSS39-152-B10B	49, 109
MRF10031	12	MSD726	33, 100	MSS30-050-P55	48, 108	MSS39-152-E25	49
MRF1004MB	12	MSD731	33, 100	MSS30-050-P86	48, 108	MSS39-152-H20	49, 109
MRF10120	12	MSD733	33, 100	MSS30-142-B10B	48, 108	MSS40-045-C15	49, 109
MRF10150	12	MSD736	33, 100	MSS30-142-E25	48	MSS40-045-P55	49, 109
MRF10350	12	MSPD1000-E50/E50SM	60	MSS30-142-H20	48, 108	MSS40-045-P86	49, 109
MRF10502	12	MSPD1000-H50	60, 112	MSS30-148-B10B	48, 108	MSS40-048-C15	49, 109
MRF1090MB	12	MSPD1002-E50/E50SM	60	MSS30-148-E25	48	MSS40-048-P55	49
MRF1150MB	12	MSPD1011-122/121	60	MSS30-148-H20	48, 108	MSS40-148-P86	50, 109
MRF134	14	MSPD1012-121	60	MSS30-154-B10B	48, 108	MSS40-141-0402	50
MRF136	14	MSPD1012-122	60	MSS30-154-E25	48	MSS40-141-B10B	50, 109
MRF136Y	13	MSPD1012-E50/E50SM	60	MSS30-154-H20	48, 108	MSS40-141-E25	50
MRF137	14	MSPD1012-H50	60, 112	MSS30-242-B20	48, 108	MSS40-141-H20	50, 109
MRF140	13	MSPD1013-121	60	MSS30-242-E35	48	MSS40-148-0402	50
MRF141	13	MSPD1013-122	60	MSS30-242-H30	48, 108	MSS40-148-B10B	50, 109
MRF141G	12	MSPD2018-E50/E50SM	60	MSS30-248-B20	48, 108	MSS40-148-E25	50
MRF148A	13	MSPD2018-H50	60, 112	MSS30-248-E35	48	MSS40-148-H20	50
MRF150	14	MSS20-046-0805	47	MSS30-248-H30	48, 108	MSS40-155-0402	50, 109
MRF151	14	MSS20-046-C15	47, 107	MSS30-254-B20	48	MSS40-155-B10B	50
MRF151A	13	MSS20-046-E25	47	MSS30-254-E35	48	MSS40-155-E25	50
MRF151G	14	MSS20-046-H27	47, 107	MSS30-254-H30	48, 108	MSS40-155-H20	50, 109
MRF154	14	MSS20-046-T86	47, 107	MSS30-346-B21	48, 108	MSS40-244-0805	50
MRF157	14	MSS20-047-0805	47	MSS30-346-E25	48	MSS40-244-B20	50, 109
MRF157H	14	MSS20-047-C15	47, 107	MSS30-346-H20	48, 108	MSS40-244-E35	50
MRF158	13	MSS20-047-E25	47	MSS30-442-B41	48, 108	MSS40-248-0805	50
MRF160	14	MSS20-047-H27	47, 107	MSS30-442-B42	48, 108	MSS40-248-B20	50, 109
MRF166C	13	MSS20-047-T86	47, 107	MSS30-442-E45	48	MSS40-248-E35	50
MRF166W	13	MSS20-050-0805	47	MSS30-442-H40	48, 108	MSS40-255-0805	50
MRF171A	14	MSS20-050-C15	47, 107	MSS30-448-B41	48, 108	MSS40-255-B20	50, 109
MRF173	13	MSS20-050-E25	47	MSS30-448-B42	49, 108	MSS40-255-E35	50
MRF173CQ	13	MSS20-050-H27	47, 107	MSS30-448-E45	49	MSS40-448-B42	50, 109
MRF174	13	MSS20-050-T86	47, 107	MSS30-448-H40	49, 108	MSS40-448-E45	50
MRF175GU	13	MSS20-051-0805	47	MSS30-454-B40	49, 108	MSS40-448-H40	50, 109
MRF175GV	13	MSS20-051-C15	47, 107	MSS30-454-E45	49	MSS40-455-B40	50, 109
MRF175LU	13	MSS20-051-E25	47	MSS30-454-H40	49, 108	MSS40-455-E45	50
MRF176GU	13	MSS20-051-H27	47, 107	MSS30-B46-B45	49, 108	MSS40-455-H40	50, 109
MRF176GV	13	MSS20-051-T86	47, 107	MSS30-B46-E45	49	MSS40-B46-B45	50, 109
MRF177	13	MSS20-054-0805	47, 107	MSS30-B46-H40	49, 108	MSS40-B46-E45	50
MRF275G	14	MSS20-054-C15	47, 107	MSS30-B53-B45	49, 108	MSS40-B53-B45	50, 109
MRF275L	14	MSS20-054-E25	47	MSS30-B53-E45	49	MSS40-B53-E45	50
MRF313	12	MSS20-054-H27	47, 107	MSS30-B53-H40	49, 108	MSS40-CR46-B49	50, 109
MRF314	12	MSS20-054-T86	47, 107	MSS30-CR46-B49	49	MSS40-CR46-E45	50
MRF316	12	MSS20-055-0805	47	MSS30-CR46-E45	49	MSS40-CR46-H40	50, 109
MRF317	12	MSS20-055-C15	47, 107	MSS30-CR46-H40	49, 108	MSS40-CR53-B49	50
MRF323	12	MSS20-055-E25	47	MSS30-CR53-B49	49, 108	MSS40-CR53-E45	50
MRF327	12	MSS20-055-H27	47, 107	MSS30-CR53-E45	49	MSS40-CR53-H40	50, 109
MRF392	12	MSS20-055-T86	47, 107	MSS30-CR53-H40	49	MSS40-PCR46-B48	50, 109
MRF393	12	MSS20-140-0402	47	MSS30-PCR46-B48	49, 108	MSS40-PCR46-B47	50, 109
MRF421	12	MSS20-140-B10D	47, 107	MSS39-045-C15	49, 108	MSS40-PCR53-B47	50, 109
MRF422	12	MSS20-141-0402	48	MSS39-045-P55	49	MSS50-046-C26	50
MRF426	12	MSS20-141-B10D	48, 107	MSS39-045-P86	49, 108	MSS50-046-P55	50, 109
MRF428	12	MSS20-142-0402	48, 107	MSS39-048-C15	49	MSS50-046-P86	50
MRF429	12	MSS20-142-B10D	48, 107	MSS39-048-P55	49, 108	MSS50-048-C15	50
MRF448	12	MSS20-143-0402	48	MSS39-048-P86	49, 108	MSS50-048-P86	50, 109
MRF448A	12	MSS20-143-B10D	48, 107	MSS39-144-0402	49	MSS50-062-C16	50, 109
MRF454	12	MSS20-145-0402	48	MSS39-144-0805	49	MSS50-062-P55	50, 109
MRF455	12	MSS20-145-B10D	48, 107	MSS39-144-B10B	49, 108	MSS50-062-P86	51, 109
MRF587	12	MSS20-146-0402	48	MSS39-144-H27	49, 108	MSS50-146-0402	51
MSAT-N25	40	MSS20-146-B10D	48, 107	MSS39-146-0402	49	MSS50-146-0805	51

Part Number MSS50-146-B10B to SMA81-2

Part Number	Page No.	Part Number	Page No.	Part Number	Page No.	Part Number	Page No.
MSS50-146-B10B	51, 109	MY50AC ◆	66, 98	PA38-2	23, 91	SMA1031	25, 94
MSS50-146-E25	51	MY50C ◆	66, 98	PA48	23, 91	SMA11-2	25, 94
MSS50-146-H20	51, 109	MY51 ◆	66, 98	PA511	20, 89	SMA1211	26, 94
MSS50-155-0402	51	MY51C ◆	66, 98	PA512	21, 89	SMA1212	26, 94
MSS50-155-0805	51	MY52 ◆	66, 98	PAW1027 ◆	24, 92	SMA17	21, 90
MSS50-155-B10B	51, 109	MY52C ◆	66, 98	PAW1027-1 ◆	24	SMA18-1	26, 94
MSS50-155-E25	51	MY63 ◆	64, 96	PH1090-15L	12	SMA180	25, 93
MSS50-155-H20	51, 109	MY63C ◆	64, 96	PH1090-175L	12	SMA181	20, 89
MSS50-244-0805	51	MY63H ◆	64, 96	PH1090-350L	12	SMA19-1	22
MSS50-244-B20	51	MY63HC ◆	64, 96	PH1090-550S	12	SMA19-110	90
MSS50-244-E35	51	MY76 ◆	64, 97	PH1090-700B	12	SMA231	24, 92
MSS50-244-H30	51	MY76C ◆	64, 97	PH1090-75L	12	SMA24	22, 90
MSS50-341-B21	51, 109	MY76H ◆	64, 97	PH1214-100EL	13	SMA26	22, 90
MSS50-341-E25	51	MY76HC ◆	64, 97	PH1214-110M	13	SMA28	22, 90
MSS50-341-H20	51	MY77 ◆	65, 97	PH1214-12M	13	SMA28-2	26, 94
MSS50-448-0805	51	MY77C ◆	65, 97	PH1214-220M	13	SMA29-1	22, 90
MSS50-448-B40	51, 109	MY82 ◆	65, 97	PH1214-25M	13	SMA32	26, 94
MSS50-448-E45	51, 109	MY82C ◆	65, 97	PH1214-2M	12	SMA32-1	26, 94
MSS50-448-H40	51, 109	MY83H ◆	65, 97	PH1214-300M	12	SMA33-1	23, 91
MSS50-B46-B45	51, 109	MY83HC ◆	65, 97	PH1214-40M	13	SMA34	22, 91
MSS50-B46-E45	51	MY84 ◆	64, 97	PH1214-55EL	12	SMA35	22, 91
MSS50-B46-H40	51, 109	MY84C ◆	65, 97	PH1214-6M	13	SMA36	22, 91
MSS50-B53-B45	51, 109	MY85 ◆	66, 98	PH1214-80M	13	SMA36-1	23, 91
MSS50-B53-E45	51, 110	MY85C ◆	65, 98	PH1617-2	13	SMA36-2	23, 91
MSS50-B53-H40	51, 110	MY87 ◆	66, 98	PH2226-110M	13	SMA37	22, 91
MSS50-CR46-B49	51, 110	MY87C ◆	66, 98	PH2226-50M	13	SMA38	22, 91
MSS50-CR46-E45	51	MY88	65, 98	PH2729-110M	13	SMA39	22, 91
MSS50-CR46-H40	51, 110	MY88C ◆	65, 98	PH2729-130M	13	SMA4011	26, 95
MSS50-CR53-B49	51, 110	MY88HC ◆	65, 98	PH2729-25M	13	SMA4012	26, 95
MSS50-CR53-E45	51	MY89 ◆	65, 98	PH2729-65M	13	SMA411	24, 92
MSS50-CR53-H40	51, 110	MY89C ◆	65, 98	PH2731-20M	13	SMA43	23, 91
MSS50-PCB46-B48	51, 110	MY93 ◆	65, 98	PH2731-75L	13	SMA45	26, 95
MSS50-PCR46-B47	51, 110	MY93C ◆	65, 98	PH3134-10M	13	SMA45-1	26, 95
MSS50-PCR53-B48	51, 110	MZ5010 ◆	66, 98	PH3134-20L	13	SMA5-6	21
MSWSE-005-10S	39	MZ5010C ◆	66, 98	PH3134-55L	13	SMA513	21, 89
MSWSE-005-15	39	MZ6310C ◆	64, 96	PH3135-20M	13	SMA57	21, 89
MSWSE-010-15	38	MZ7407 ◆	65, 98	PH3135-25S	13	SMA58	25, 93
MSWSE-010-15S	38	MZ7407C ◆	65, 98	PH3135-5M	13	SMA59	24, 93
MSWSE-010-16S	38	MZ7410 ◆	65, 98	PH3135-65M	13	SMA59-1	21
MSWSE-020-05	36	MZ7410C ◆	65, 98	PH3135-90S	13	SMA6011	26, 95
MSWSE-020-10	36	MZ7420 ◆	66, 98	PHA2729-300M	14	SMA61	26, 95
MSWSE-040-10	38	MZ7420C ◆	65, 98	PHA2731-140L	14	SMA611	25, 94
MSWSE-044-10	37	MZ8810C ◆	65, 98	PHA2731-190M	14	SMA63	26, 94
MSWSE-050-10	36	MZ8813 ◆	65, 98	PHA3135-130M	14	SMA64	22, 90
MSWSE-050-17	38	MZ9310 ◆	65, 98	RA36	22, 91	SMA66	22, 90
MSWSH-020-24	40	MZ9310C ◆	65	RA46	23, 91	SMA66-1	21, 90
MSWSH-020-30	39	MZ9310C	98	RA66	21, 90	SMA66-3	25, 94
MSWSH-040-30	39	MZ9313 ◆	66, 98	RA69	22, 90	SMA67-1	25, 94
MSWSH-100-30	39	MZ9313C ◆	66, 98	RA89	21, 89	SMA70	23, 92
MSWSHB-020-30	40	MZB600-19-6	51	RA89-1	21, 89	SMA70-1	23, 92
MSWSHC-040-40	40	MZB600-32	51, 110	SFD25	62	SMA70-2	24, 92
MTH-50-PIN ◆	74	MZB600-B11	51	SFD25H	62	SMA70-3	24, 92
MTV-50-PIN ◆	74	MZB600-C15P	51	SFD26	62	SMA72	21, 89
MTV4030-01	29	MZB604-11	51, 110	SM2E	63, 95	SMA73	25, 93
MTV4030-02	29	MZB604-19-1	51	SM4A	63, 96	SMA74	25, 93
MTV4030-03	29	MZB604-32	51, 110	SM4B ◆	63, 96	SMA74-2	20, 89
MTV4030-04	29	MZB604-B11	51, 110	SM4G ◆	63, 96	SMA75	25, 93
MTV4030-05	29	MZB604-C15P	51	SM4T	63, 96	SMA75-3	25, 93
MTV4030-08	29	NPA1003QA	11	SM4T17	63, 96	SMA76	25, 93
MTV4030-09	29	NPA1006	11	SM4TH	63, 96	SMA76-1	25, 93
MTV4030-10	29	NPA1007	11	SM5T	64, 96	SMA77	21, 89
MTV4030-15	29	NPA1008	11	SM5T17	64, 96	SMA77-1	21, 89
MTV4030-20	29	NPT2018	11	SM5TH	64, 96	SMA78	24, 92
MTV4030-21	29	NPT25015	11	SM6D	63, 95	SMA79	20, 89
MTV4030-22	29	NPT25100B	11	SM6EH	63, 95	SMA80	25, 93
MTV4030-24	29	NPT35015	11	SM6V	63, 95	SMA80-1	23, 92
MTV4030-26	29	NPTB00004A	11	SMA1	25, 93	SMA81	23, 92
MY50 ◆	66, 98	NPTB000025B	11	SMA101	23, 92	SMA81-1	23, 92
MY50A ◆	66, 98	PA38	26, 94	SMA1021	21, 90	SMA81-2	24, 93

Part Number SMA82 to XZ1004-QT

Part Number	Page No.	Part Number	Page No.	Part Number	Page No.	Part Number	Page No.
SMA82	23, 92	SMRA36	22, 91	SP52	82, 114	XB1008-BD	16
SMA82-1	23, 92	SMRA46	23, 91	SP55	82, 114	XB1014-QT	17
SMA83-1	24, 92	SMRA62	23, 91	SP6	82, 113	XD1001-BD	20
SMA87	20, 89	SMRA66	22, 90	SP64	82, 113	XF1001-SC	16
SMA87-1	24, 92	SMRA69	21, 90	SP68	82, 113	XL1000-BD	18
SMA87-2	24, 92	SMRA89	20, 89	SP7	82, 113	XL1002-BD	18
SMA88	21, 89	SMRA89-1	21, 89	SP77	82, 114	XL1010-BD	18
SMA89	21, 90	SMS201	46	SP80	82, 113	XL1010-QT	19
SMAL7	27	SMS202	46	SP81	82, 113	XM1001-BD	79
SMG1	56	SMSCQ1200-SOT143	51	SP84	82, 113	XM1002-BD	79
SMG2	56	SMSCQ2500-SOT143	52	SP87	82, 113	XM1003-BD	79
SMG30	56	SMSCQ4500-SOT143	52	SP88	82, 113	XP1013-BD	17
SMG40	56	SMSCQ5500-SOT143	52	SP89	82, 113	XP1017-BD	18
SMGS11	46	SMSD3004-SOD323	52	SW-209-PIN	57	XP1026-BD	18
SMGS21	46	SMSD3012-SOD323	52	SW-226-PIN	58, 110	XP1027-BD	18
SML1	27	SMSD4004-SOD323	52	SW-228-PIN	58, 110	XP1035-QH	17
SML42	27	SMSD4012-SOD323	52	SW-231-PIN	57	XP1039-QJ	17
SMLA17	27	SMSD6004-SOD323	52	SW-313-PIN	58, 110	XP1042-QT	17
SMLA45	27	SMSD6012-SOD323	52	SW05-0311	57	XP1043-QH	17
SMLA45-1	27	SMSP3004-SOT143	52	T-1000-BNC	75	XP1044-QL	18
SMLA7	27	SMSP3012-SOT143	52	T-1000-N	75	XP1050-QJ	18
SMLG1	55	SMSRQ1200-SOT143	52	T-1000-SMA	75	XP1080-QU	18
SMMD805-SOD323	34	SMSRQ4500-SOT143	52	T-1000-TNC	75	XR1004-BD	78
SMMD805-SOT23-0S	34	SMST3004-SOT23	52	THV-50-BNC	74	XR1008-QB	78
SMMD805-SOT23-1S	34	SMST3012-SOT23	52	THV-50-N	74	XR1011-BD	78
SMMD810-SOD323	34	SMST4004-SOT23	52	THV-50-SMA	74	XR1011-QH	78
SMMD810-SOT23-0S	34	SMST4012-SOT23	52	THV-50-TNC	74	XR1015-QH	78
SMMD810-SOT23-1S	34	SMST6004-SOT23	52	TP-101-PIN	80	XR1019-QH	78
SMMD820-SOD323	34	SMST6012-SOT23	52	TP-102-PIN	78	XR1020	78
SMMD820-SOT23-0S	34	SMV20413	32	TP-103-PIN	79	XU1004-BD	79
SMMD820-SOT23-1S	34	SMV20415	32	TP-104-PIN	78	XU1006-BD	79
SMMD830-SOD323	34	SMV20422	32	TP-105-PIN	79	XU1006-QB	79
SMMD830-SOT23-0S	34	SP1	82, 113	TP-108-PIN	79	XU1009-BD	79
SMMD830-SOT23-1S	34	SP104	82, 114	TPX-75-4N	80	XU1019-QH	79
SMMD832-SOD323	34	SP111	82, 114	TU-50-BNC	74	XX1000-BD	62
SMMD832-SOT23-0S	34	SP12	82, 113	TU-50-N	74	XX1000-QT	62
SMMD832-SOT23-1S	34	SP120	82, 113	TU-50-SMA	74	XX1001-QK	62
SMMD837-SOD323	34	SP14	82, 113	TU-50-TNC	74	XX1002-QH	62
SMMD837-SOT23-0S	34	SP2	82, 113	UF2805B	14	XX1007-BD	62
SMMD837-SOT23-1S	34	SP20	82, 113	UF28100M	14	XX1007-QT	62
SMMD840-SOD323	34	SP22	82, 113	UF2810P	14	XX1010-QT	62
SMMD840-SOT23-0S	34	SP29	82, 113	UF28150J	14	XZ1003-QT	69
SMPA2010	22, 91	SP34	82, 113	UF2815B	14	XZ1004-QT	69
SMPA38	26, 94	SP37	82, 114	UF2820P	14		
SMPA38-2	23, 91	SP38	82, 113	UF2840G	14		
SMPA48	23, 91	SP39	82, 113	UF2840P	14		
SMPA511	20, 89	SP40	82, 114	W-010647	111		
SMPA511	91	SP44	82, 114	XB1004-BD	16		
SMPN7316-SOD323	43	SP48	82, 113	XB1005-BD	16		
SMPN7316-SOT23	43	SP49	82, 113	XB1006-BD	16		
SMPN7335-SOD323	43	SP5	82, 113	XB1007-BD	16		
SMPN7335-SOT23	43	SP51	82, 113	XB1007-QT	16		



Additional product information
can be found on our website at:
www.macom.com

Contact our worldwide sales
offices, authorized representatives,
and industry-leading distributors
to request samples, test boards,
and application support. All contacts
are listed on our website at:
www.macom.com/purchases

MACOM Technology Solutions Inc.
100 Chelmsford Street
Lowell, Massachusetts 01851

North America
800.366.2266

Europe
+353.21.244.6300

India
+91.80.43537383

China (Shanghai)
+86.21.6042.8200

www.macom.com
MTS-L-062021